

EQUIPMENT NOMENCLATURE LEGEND

SITE LOCATION (SISK)

SYSTEM OPERATING DESIGNATION

LEGEND OF SYMBOLS:	
	POWER TRANSFORMER (3Φ)
	STATION SERVICE TRANSFORMER
	DYNAMIC REACTIVE POWER COMPENSATOR
	FUSED DISCONNECT (HOOKSTICK)
	CAPACITOR BANK
	GROUP OPERATED DISCONNECT SWITCH
	SURGE ARRESTER
	VOLTAGE TRANSFORMER (WOUND)
	3Φ GROUND SWITCH
	SUBSTATION FENCE LINE
	FAULT INT. DEVICE (CKT. BKR.)
	CURRENT LIMITING INDUCTOR
	3Φ GROUP OPER. AIRBREAK W/ ARCING HORNS
	SWITCHING DEVICE (VACUUM SWITCH)
	H.V. TERM. TO SOLID DI-ELECTRIC U.G. CABLE W/ARRESTER
	3Φ GROUP OPER. AIRBREAK W/LOAD INTERRUPTER
	COUPLING CAPACITOR
	3Φ GROUP OPER. AIRBREAK W/MOTOR OPERATOR
	REVENUE METERING
	WIND TURBINE GENERATOR NUMBER
	STEP UP TRANSFORMER
	3Φ SELECTOR SWITCH W/GND.
	CHANGE IN CABLE SIZE
	HARMONIC FILTER

- NOTES:
- COLLECTOR LINE TO BE COMPRISED OF THREE PHASE CONDUCTOR AND AN OPGW (FIBER AND EARTHING CONDUCTOR).
 - CIRCUIT BREAKER IN TOWER BASE EQUIPPED FOR REMOTE OPERATION FROM OUTSIDE THE TOWER. GROUNDING & ISOLATION SWITCH WILL BE INCLUDED WITH CIRCUIT BREAKER SWITCHGEAR. FINAL EQUIPMENT CONFIGURATION TO BE DETERMINED.
 - DRPC, CAPACITOR, AND HARMONIC FILTER EQUIPMENT REQUIREMENT AND RATINGS TO BE DETERMINED PENDING RESULTS OF SYSTEM IMPACT STUDY.
 - SEE DRAWING G-2 FOR PROJECT NOTES, LEGEND, AND ADDITIONAL ABBREVIATIONS.
 - SEE DRAWING G-3 FOR OVERALL PROJECT MAP AND OVERALL PROJECT DRAWING INDEX.

NO.	REVISION	DATE	BY	CK	P.E. STAMPED	P.E. No.
A	ISSUED FOR PERMITTING	11/18/09	DRG	GLB	GLB	10141

GARY L. BEANE
No. 10141
LICENSED PROFESSIONAL ENGINEER

CLIENT APPROVAL

R.V. HOWLAND
APPROVED BY

TRANSCANADA COMPANY

10/26/09
DATE

WR LEARN

SYSTEM POWER ONE LINE

TRANSCANADA

KIBBY EXPANSION WIND POWER PROJECT

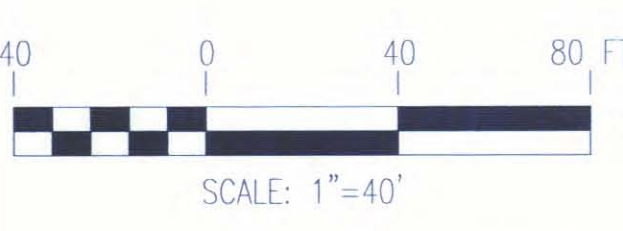
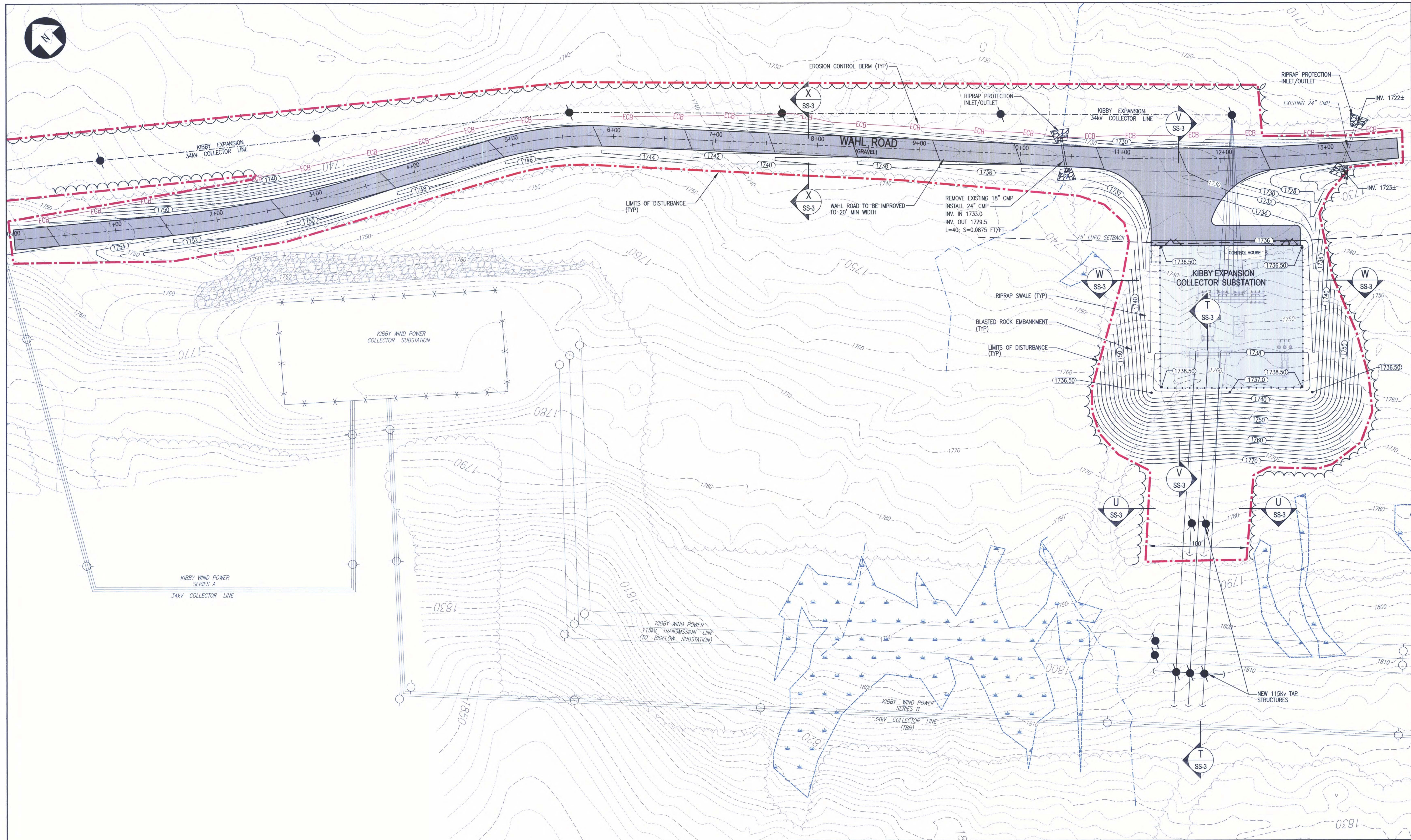
CHAIN OF PONDS & KIBBY TOWNSHIPS MAINE

SCALE: NONE

DATE: 9/18/09

SS-1

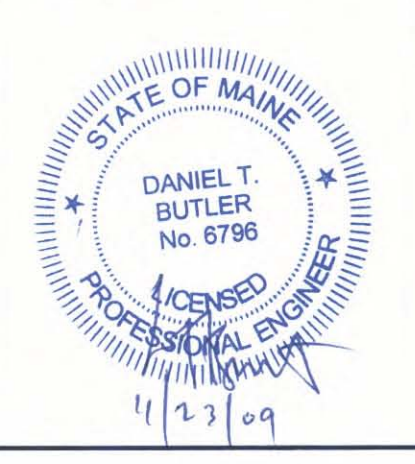
REV. A



NOTES:

- SEE DRAWING G-2 FOR PROJECT NOTES, LEGEND, AND ABBREVIATIONS.
- SEE DRAWING G-3 FOR OVERALL PROJECT MAP AND OVERALL PROJECT DRAWING INDEX.

NO.	REVISION	DATE	BY	CK	P.E. STAMPED	P.E. No.
A	ISSUED FOR PERMITTING	11/18/09	KAV	DTB	DTB	6796



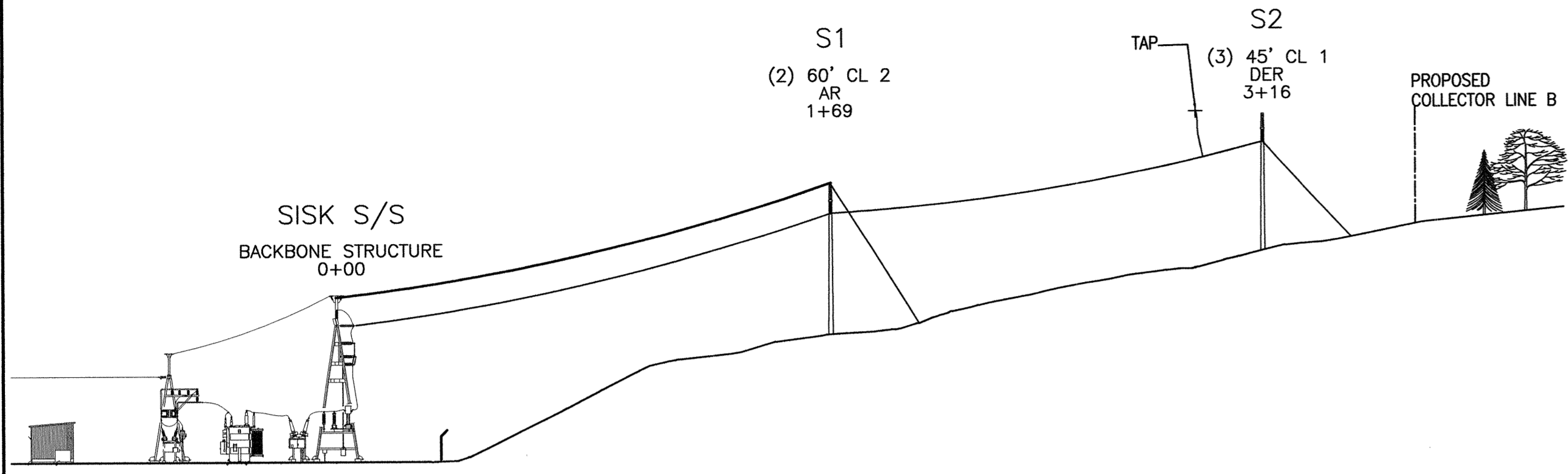
CLIENT APPROVAL	
APPROVED BY	TRC/KAV DESIGNED
COMPANY	TRC/KAV DRAWN
DATE	TRC/DTB CHECKED
	APPROVED
	REVIEWED

SUBSTATION SITE PLAN

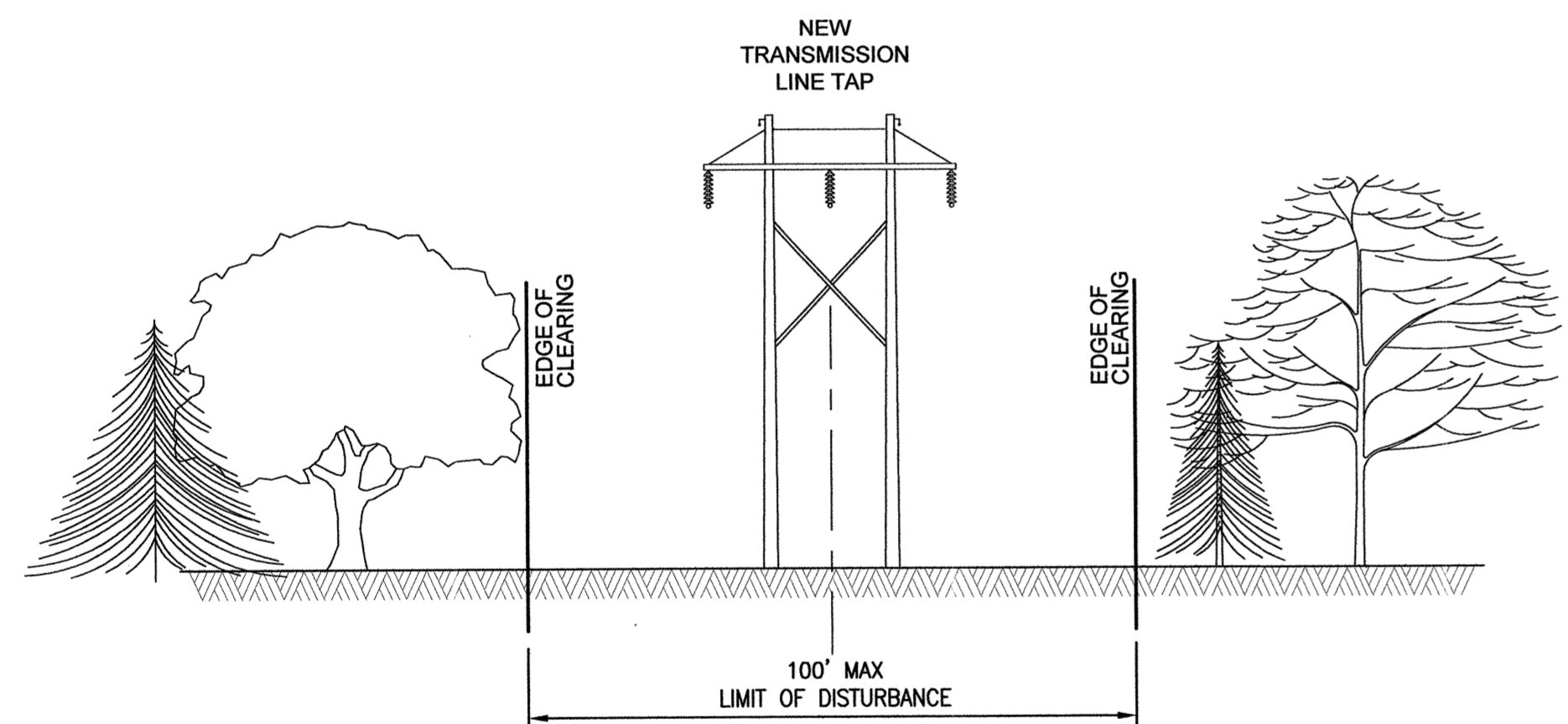
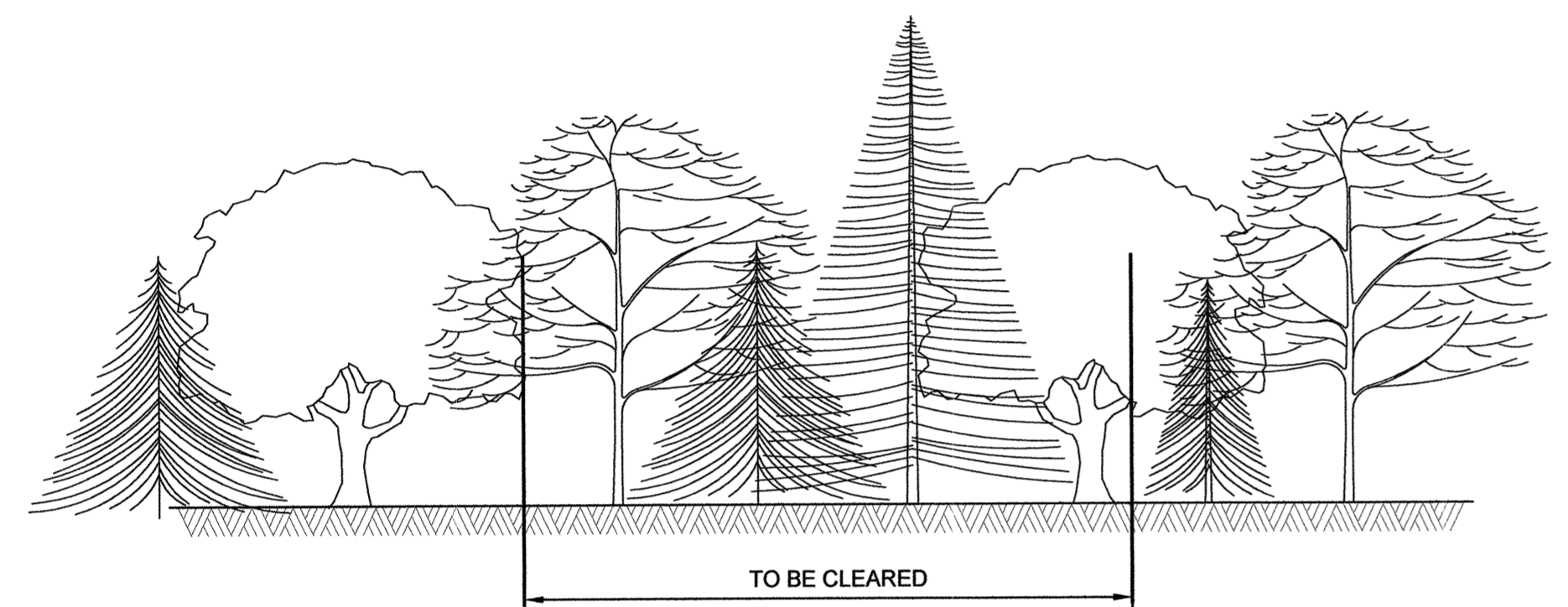
TRANSCANADA
KIBBY EXPANSION WIND POWER PROJECT
CHAIN OF PONDS & KIBBY TOWNSHIPS MAINE

TRC 249 WESTERN AVENUE
AUGUSTA, ME 04330
PROJECT NO: 170019
SCALE: AS NOTED DATE: 10-14-09

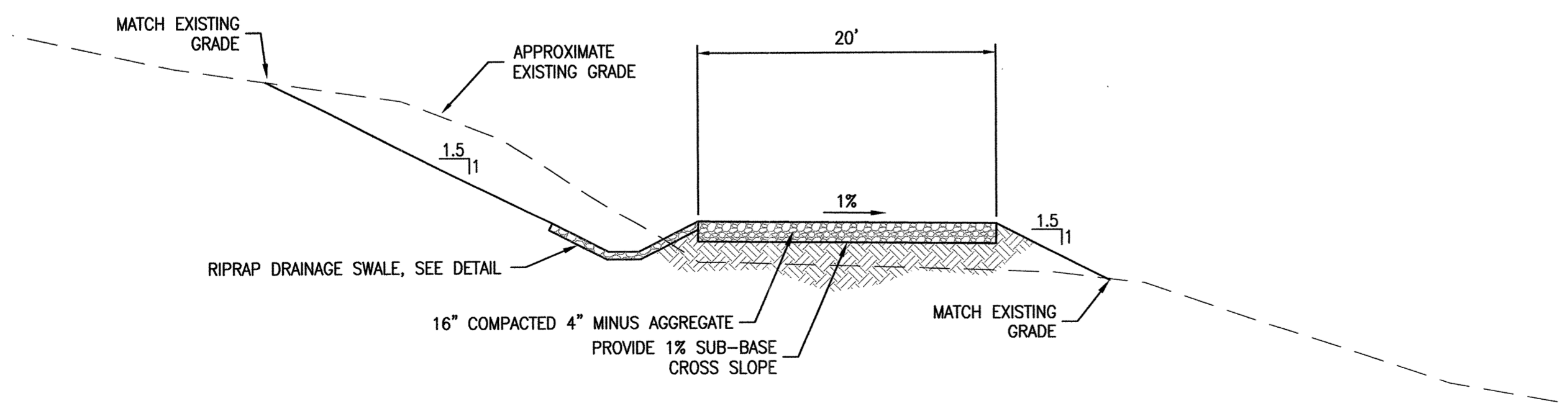
SS-2 REV. A



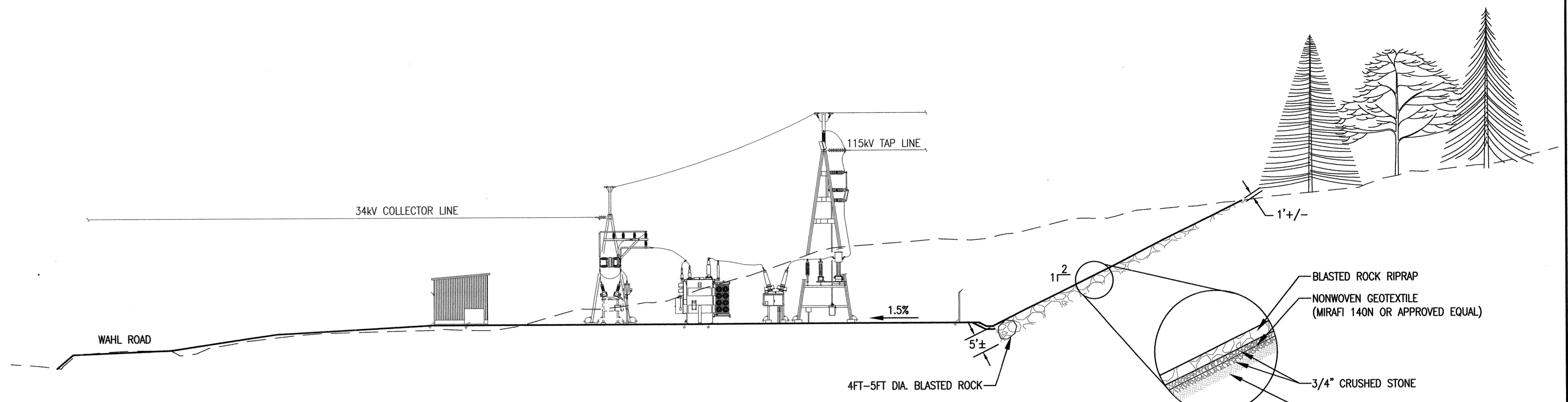
T 115kV TAP SECTION
SS-2 NOT TO SCALE



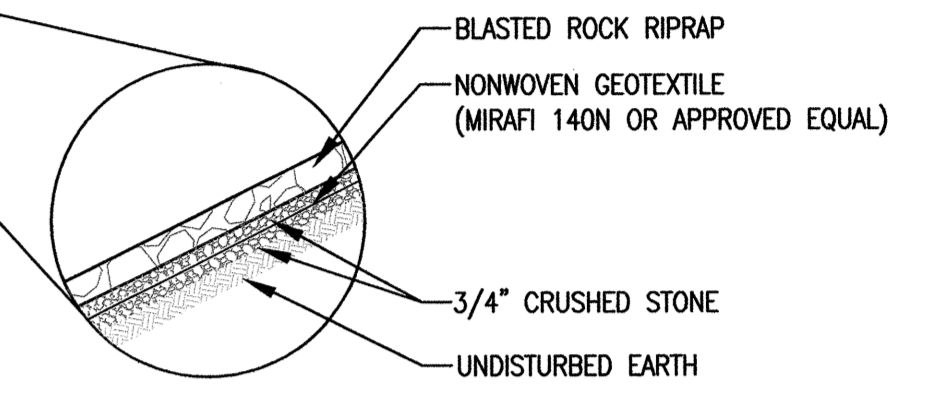
U 115kV TAP SECTION
SS-2 NOT TO SCALE



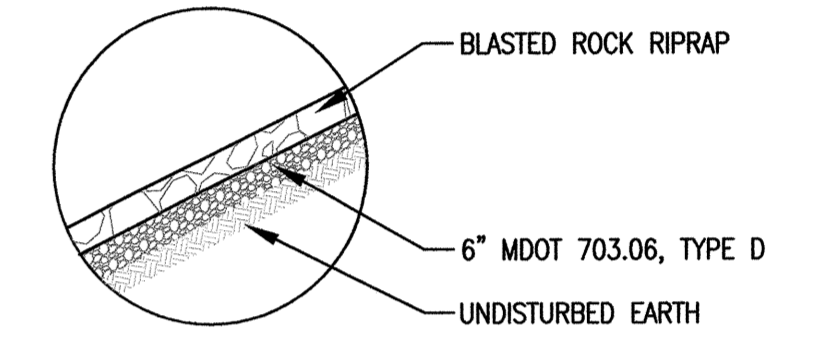
X WAHL ROAD IMPROVEMENT SECTION
SS-2 NOT TO SCALE



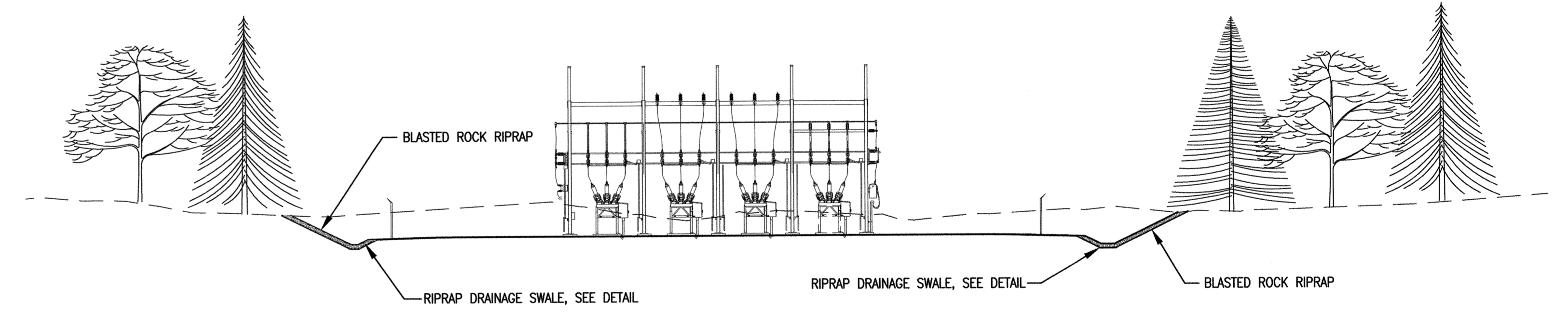
V COLLECTOR SUBSTATION SECTION
SS-2 NOT TO SCALE



OPTION 1



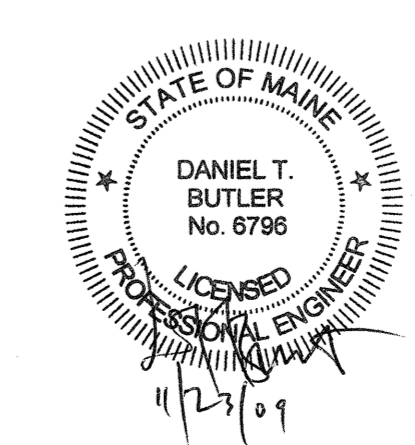
OPTION 2



W COLLECTOR SUBSTATION SECTION
SS-2 NOT TO SCALE

- NOTES:**
- SEE DRAWING G-2 FOR PROJECT NOTES, LEGEND, AND ABBREVIATIONS.
 - SEE DRAWING G-3 FOR OVERALL PROJECT MAP AND OVERALL PROJECT DRAWING INDEX.

NO.	REVISION	DATE	BY	CK	P.E. STAMPED BY	P.E. No.
A	ISSUED FOR PERMITTING	11/18/09	KAV	DTB	DTB	6796

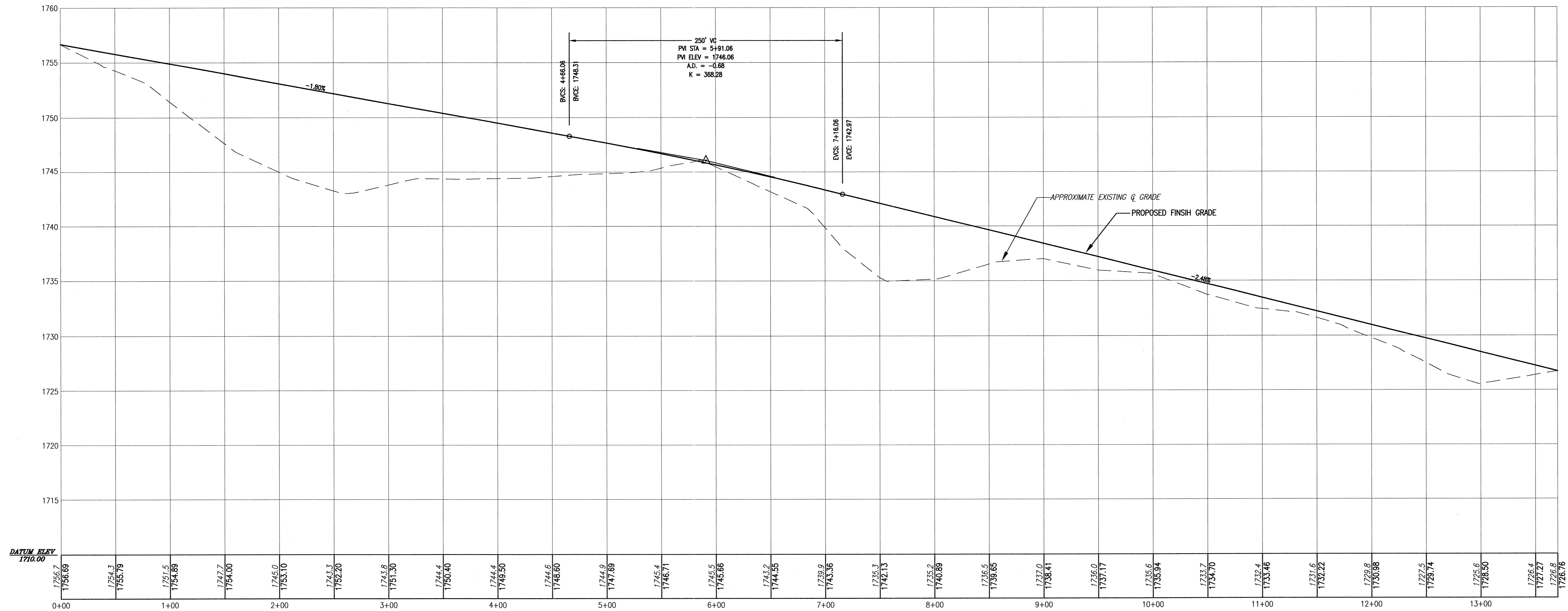


CLIENT APPROVAL	
APPROVED BY	TRC/KAV DESIGNED
DATE	TRC/KAV DRAWN
	TRC/DTB CHECKED
	APPROVED
	REVIEWED

SUBSTATION CROSS SECTIONS & DETAILS
 TRANSCANADA
 KIBBY EXPANSION WIND POWER PROJECT
 CHAIN OF PONDS & KIBBY TOWNSHIPS MAINE

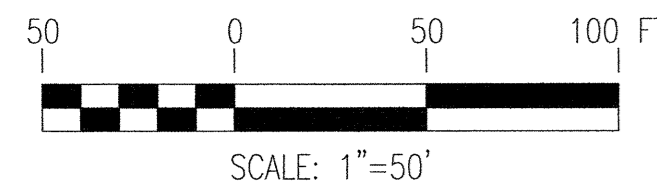
TRC 249 WESTERN AVENUE
 AUGUSTA, ME 04330
 PROJECT NO: 170019
 SCALE: AS NOTED DATE: 10-22-09

SS-3
 REV. A



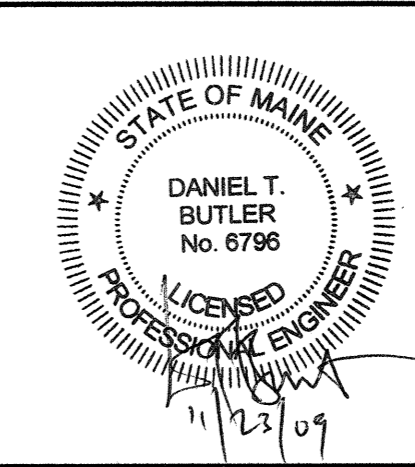
WAHL ROAD PROFILE

SCALE: HORIZ: 1"=50'
 VERT: 1"=5'



- NOTES:**
- SEE DRAWING G-2 FOR PROJECT NOTES, LEGEND, AND ABBREVIATIONS.
 - SEE DRAWING G-3 FOR OVERALL PROJECT MAP AND OVERALL PROJECT DRAWING INDEX.

NO.	REVISION	DATE	BY	CK	P.E. STAMPED BY	P.E. No.
A	ISSUED FOR PERMITTING	11/18/09	KAV	DTB	DTB	6796



CLIENT APPROVAL	TRC/KAV DESIGNED
APPROVED BY	TRC/KAV DRAWN
COMPANY	TRC/DTB CHECKED
DATE	APPROVED

WAHL ROAD PROFILE

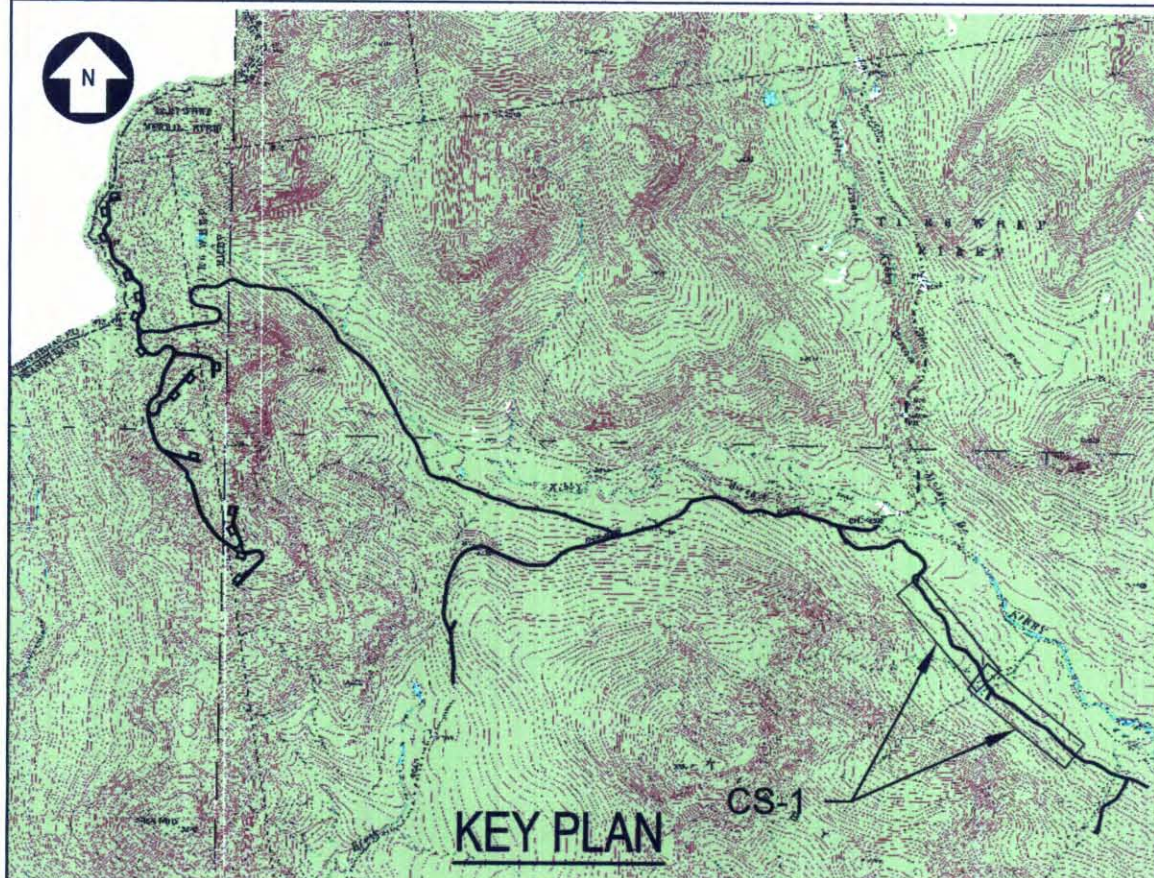
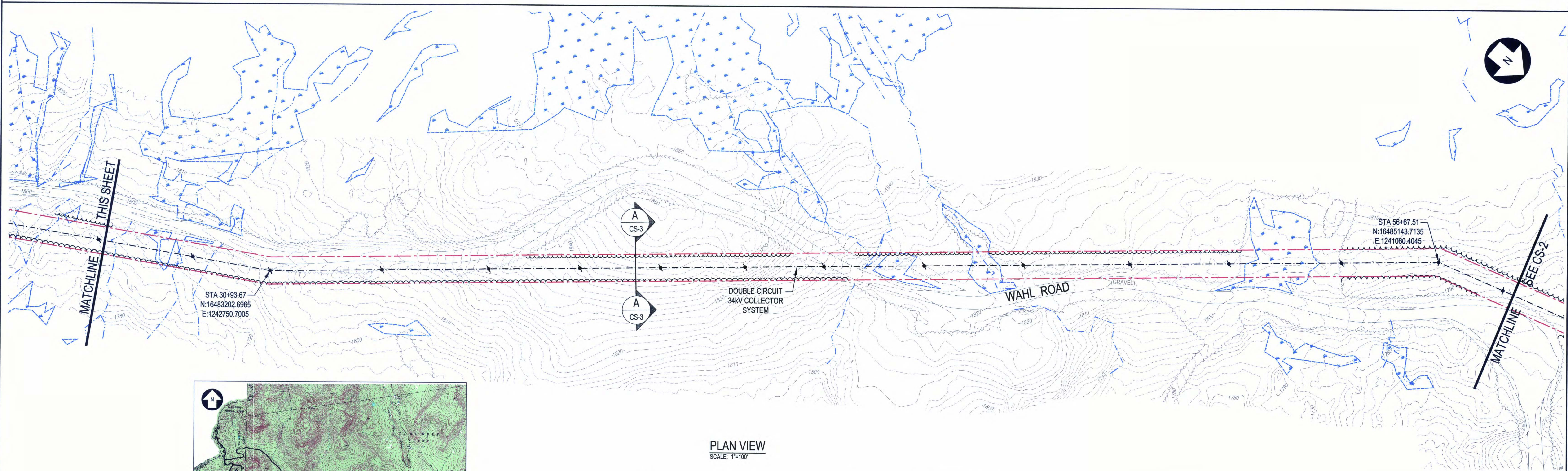
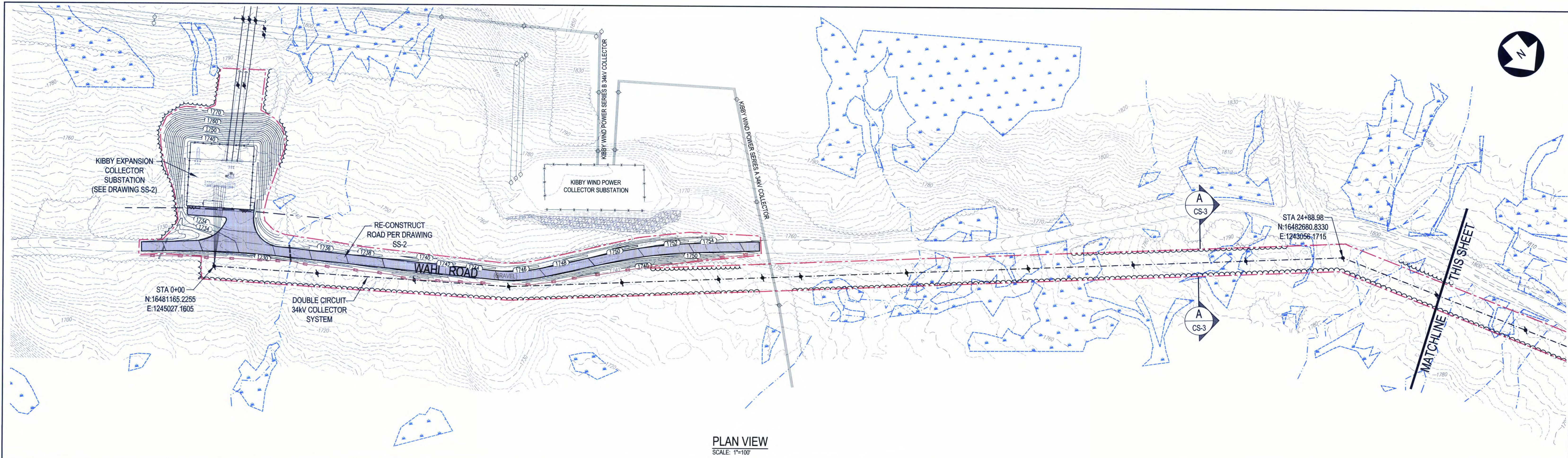
TRANSCANADA
 KIBBY EXPANSION WIND POWER PROJECT
 CHAIN OF PONDS & KIBBY TOWNSHIPS MAINE

SCALE: AS NOTED

DATE: 10-22-09

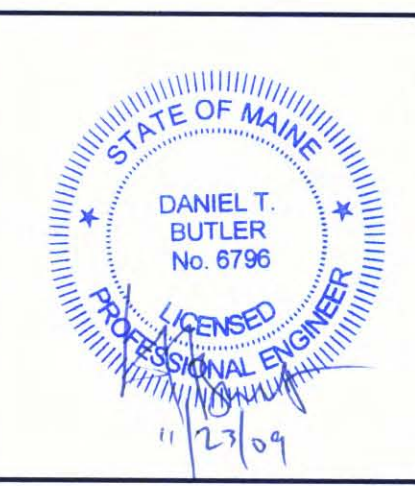
SS-4

REV. A



- NOTES:**
- SEE DRAWING G-2 FOR PROJECT NOTES, LEGEND, AND ABBREVIATIONS.
 - SEE DRAWING G-3 FOR OVERALL PROJECT MAP AND OVERALL PROJECT DRAWING INDEX.

NO.	REVISION	DATE	BY	CK	P.E. STAMPED BY	P.E. No.
A	ISSUED FOR PERMITTING	11/18/09	KAV	DTB	DTB	6796



CLIENT APPROVAL	TRC/KAV DESIGNED
APPROVED BY	TRC/KAV DRAWN
COMPANY	TRC/DTB CHECKED
DATE	APPROVED
	REVIEWED

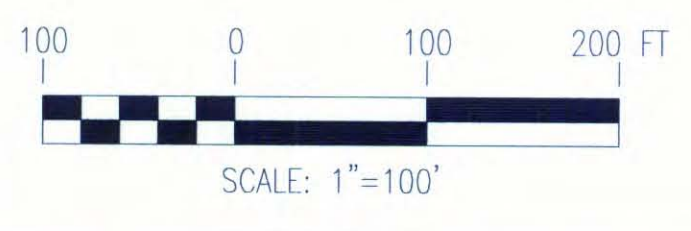
34kV COLLECTOR SYSTEM PLAN 1

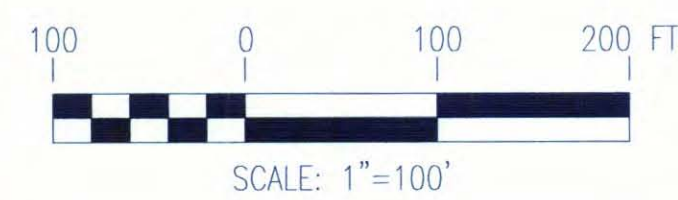
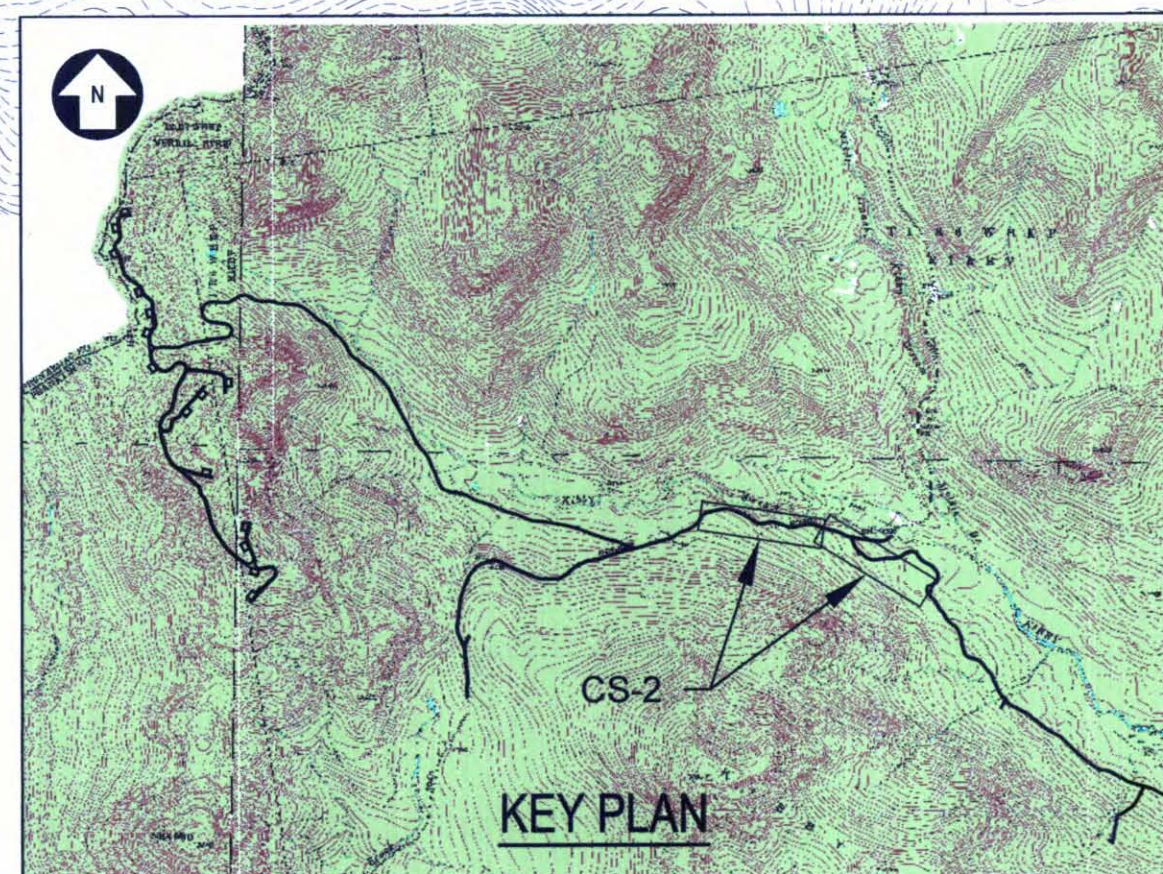
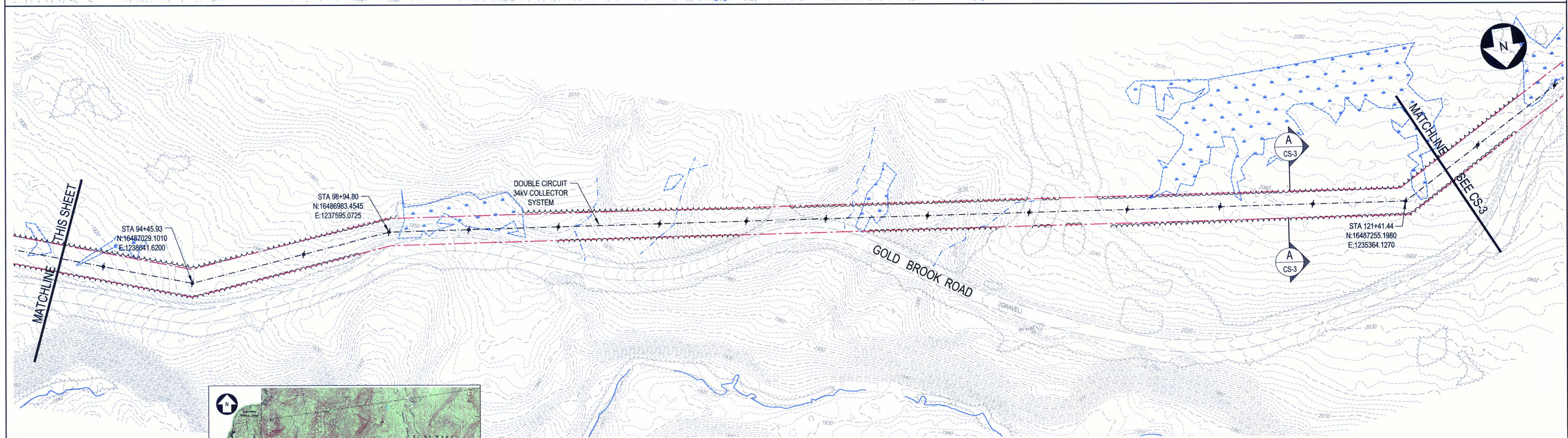
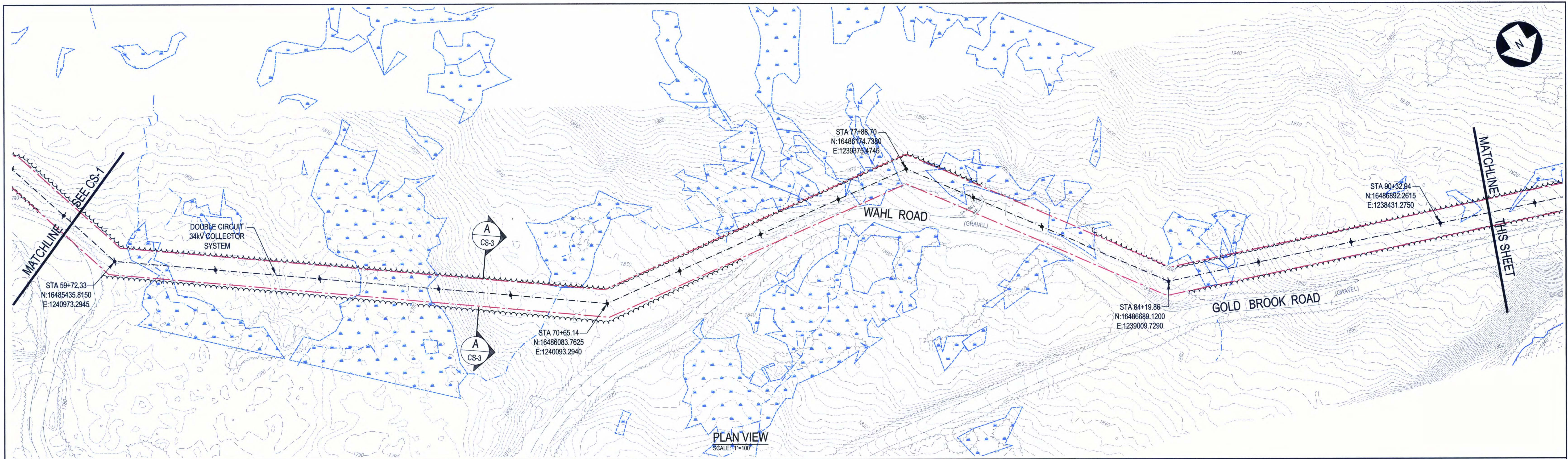
TRANSCANADA
KIBBY EXPANSION WIND POWER PROJECT
CHAIN OF PONDS & KIBBY TOWNSHIPS MAINE

TRC 249 WESTERN AVENUE
AUGUSTA, ME 04330
PROJECT NO: 170019
SCALE: AS NOTED DATE: 10-26-09

CS-1

REV. A





NOTES:

- SEE DRAWING G-2 FOR PROJECT NOTES, LEGEND, AND ABBREVIATIONS.
- SEE DRAWING G-3 FOR OVERALL PROJECT MAP AND OVERALL PROJECT DRAWING INDEX.

NO.	REVISION	DATE	BY	CK	P.E. STAMPED BY	P.E. No.
A	ISSUED FOR PERMITTING	11/18/09	KAV	DTB	DTB	6796



CLIENT APPROVAL	
APPROVED BY	TRC/KAV DESIGNED
COMPANY	TRC/KAV DRAWN
DATE	TRC/DTB CHECKED
	APPROVED
	REVIEWED

34kV COLLECTOR SYSTEM PLAN II

TRANSCANADA

KIBBY EXPANSION WIND POWER PROJECT

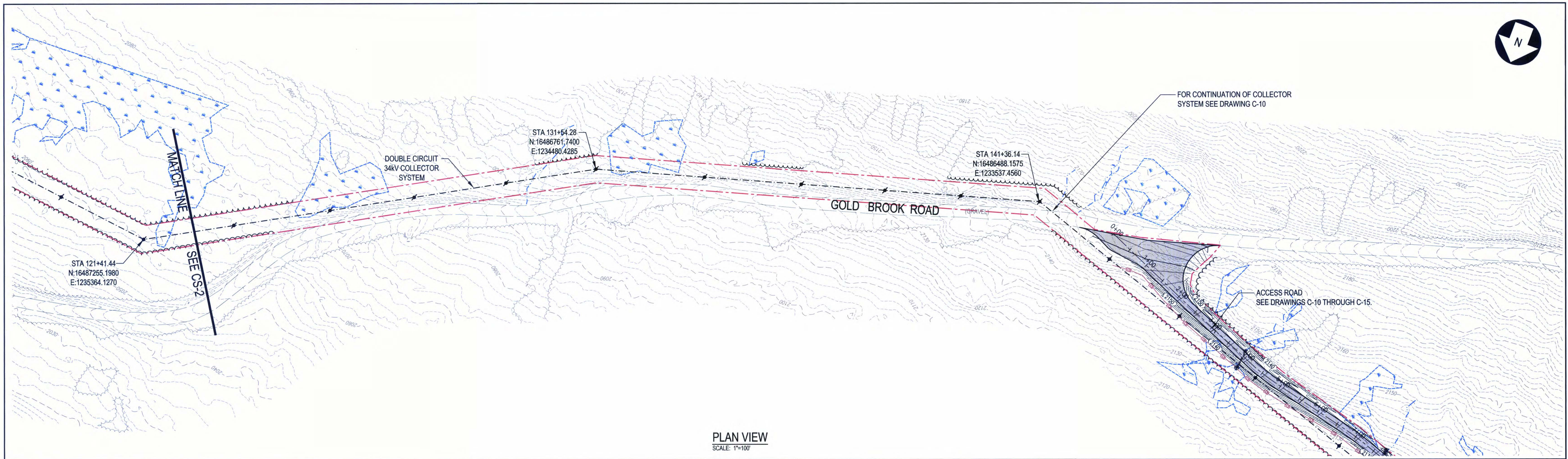
CHAIN OF PONDS & KIBBY TOWNSHIPS MAINE

249 WESTERN AVENUE
AUGUSTA, ME 04330
PROJECT NO: 170019

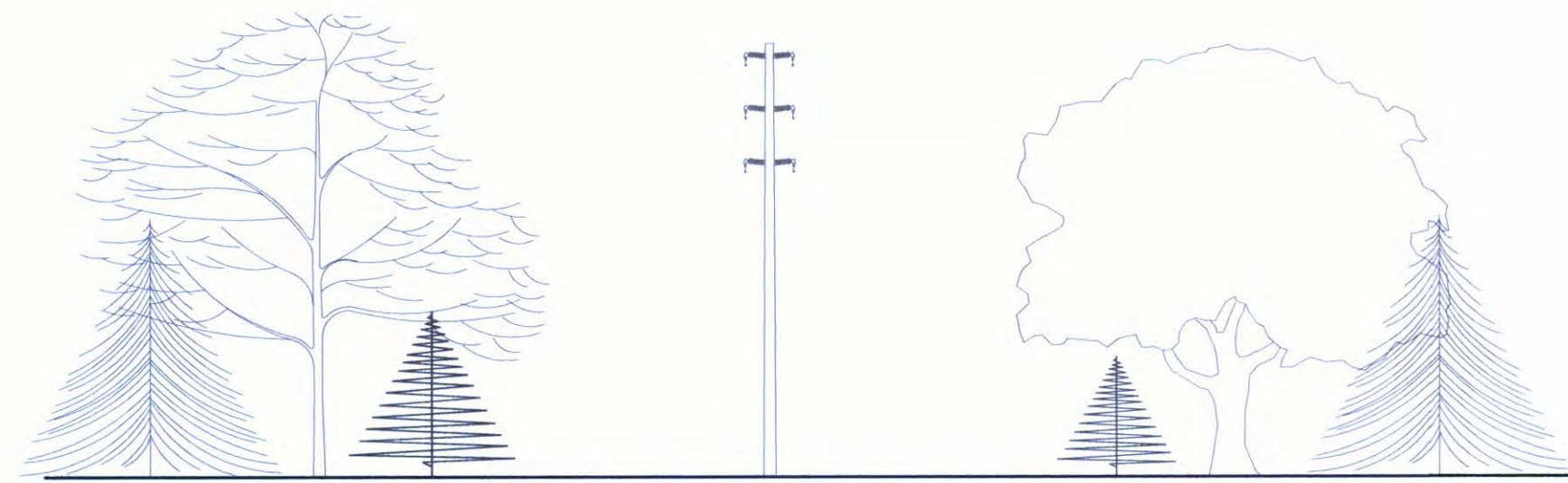
SCALE: AS NOTED DATE: 10-26-09

CS-2

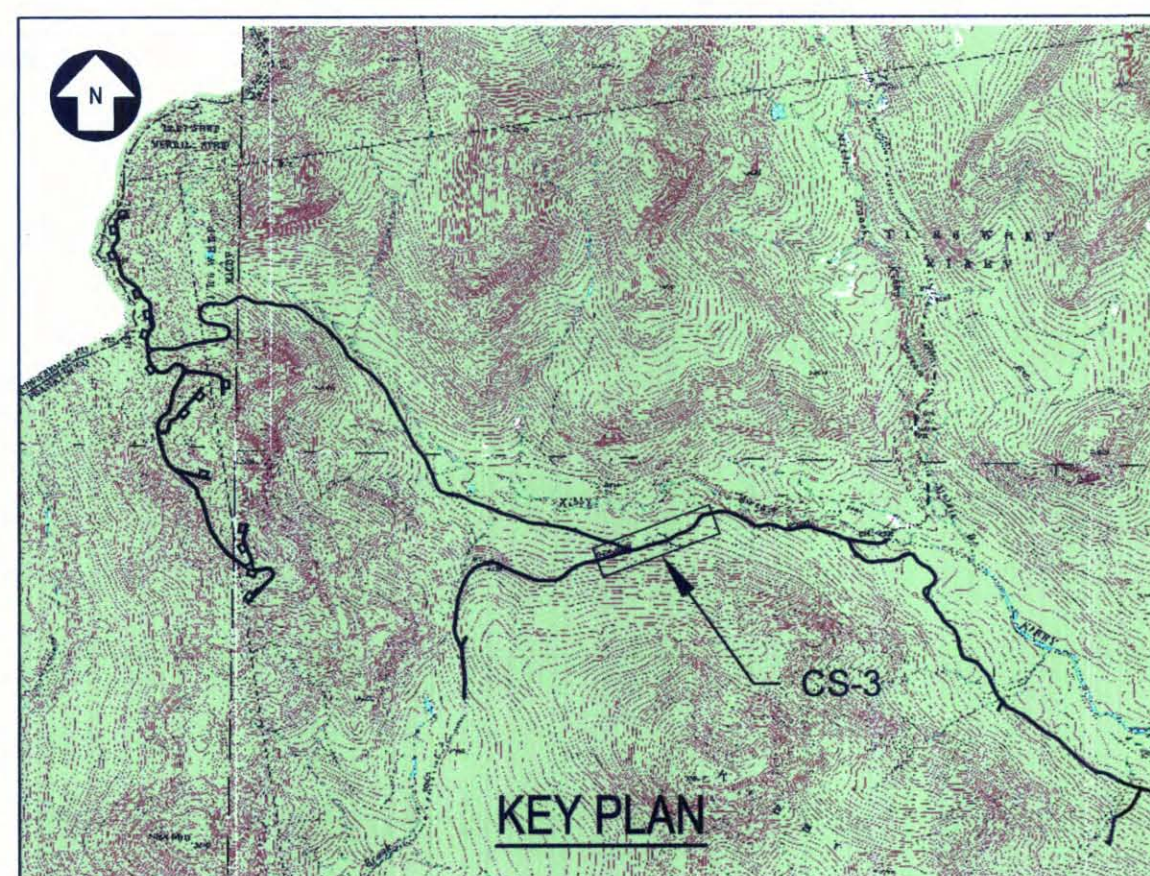
REV. A



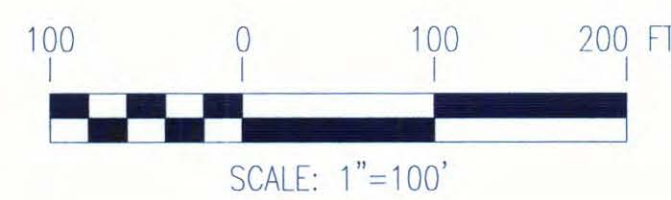
PLAN VIEW
SCALE: 1"=100'



A 34kV COLLECTOR SYSTEM CLEARING DETAIL
CS-12 NOT TO SCALE



KEY PLAN



NOTES:

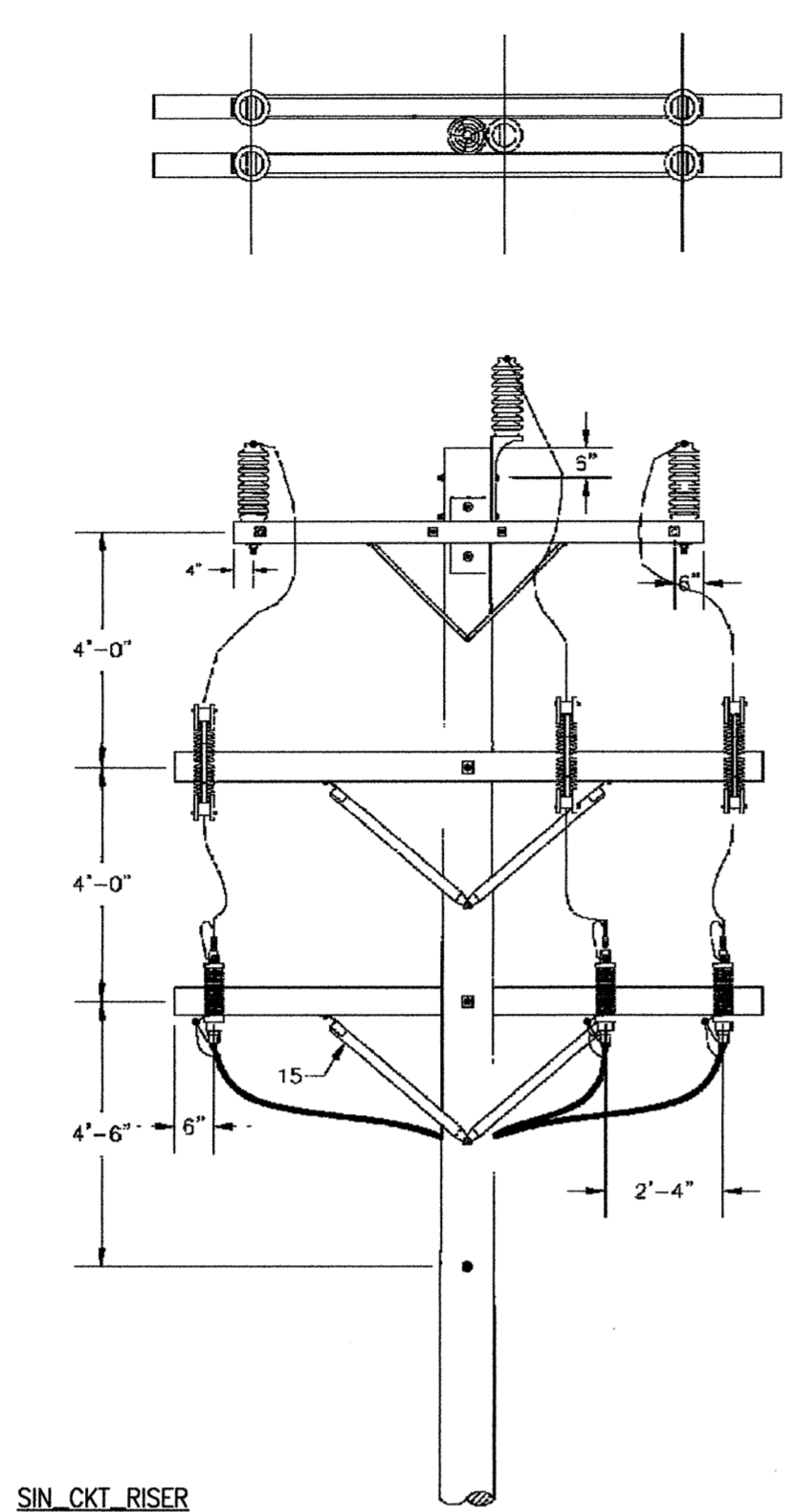
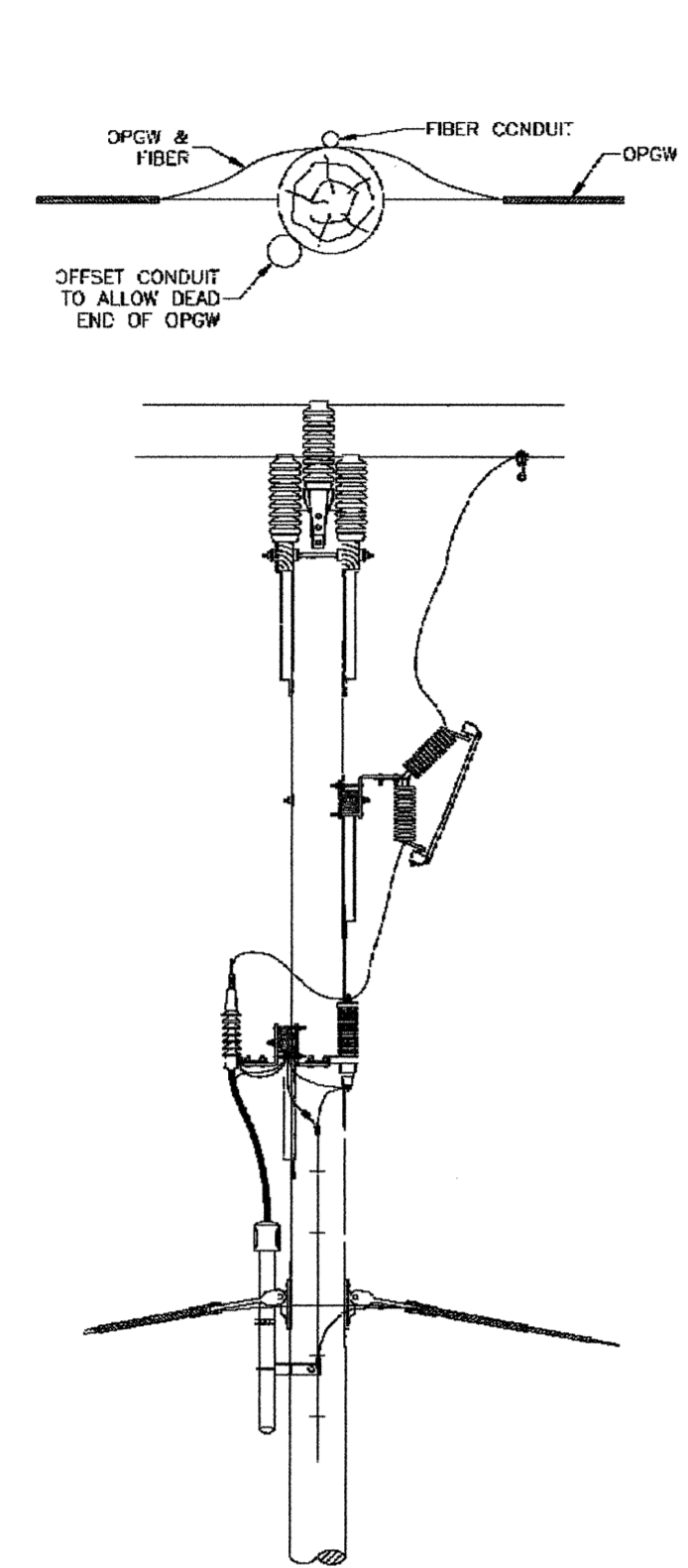
1. SEE DRAWING G-2 FOR PROJECT NOTES, LEGEND, AND ABBREVIATIONS.
2. SEE DRAWING G-3 FOR OVERALL PROJECT MAP AND OVERALL PROJECT DRAWING INDEX.

NO.	REVISION	DATE	BY	CK	P.E. STAMPED BY	P.E. No.
A	ISSUED FOR PERMITTING	11/18/09	KAV	DTB	DTB	6796

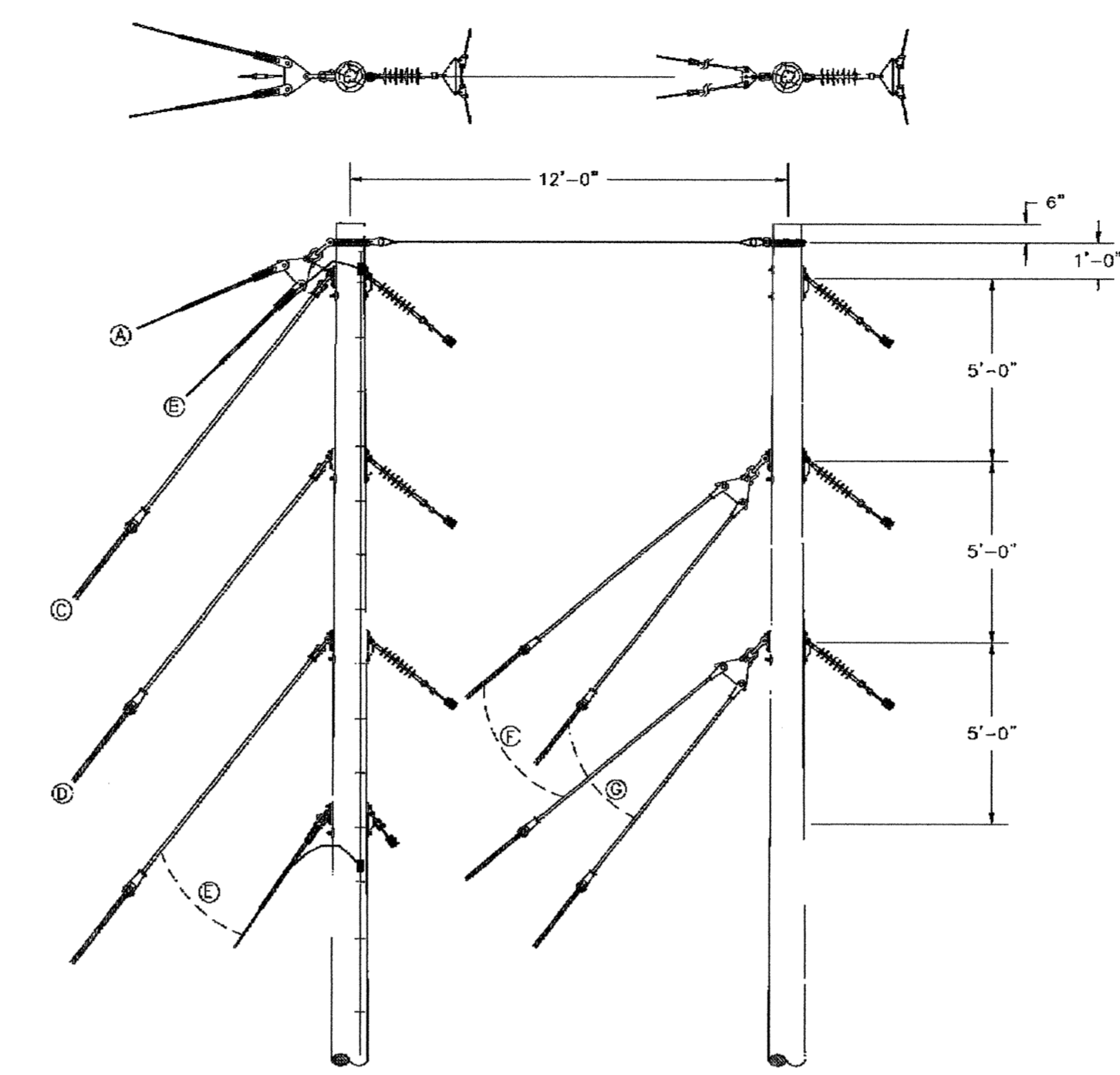


CLIENT APPROVAL		TRC/KAV DESIGNED		34kV COLLECTOR SYSTEM PLAN III	
APPROVED BY	DATE	TRC/KAV DRAWN	DATE	TRANSCANADA	
COMPANY		TRC/DTB CHECKED		KIBBY EXPANSION WIND POWER PROJECT	
REVIEWED				CHAIN OF PONDS & KIBBY TOWNSHIPS MAINE	
				CS-3	REV. A

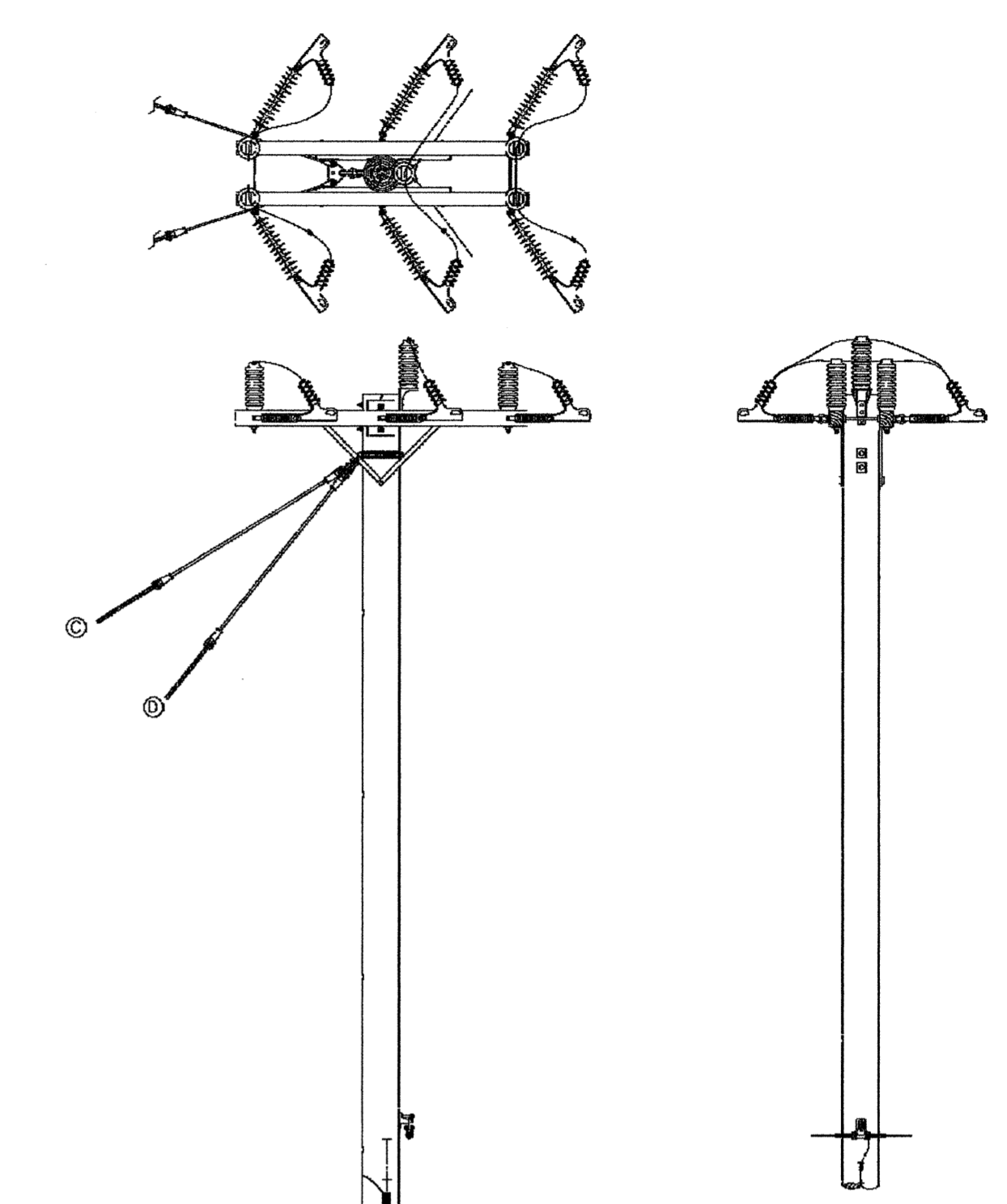
TRC 249 WESTERN AVENUE
AUGUSTA, ME 04330
PROJECT NO: 170019
SCALE: AS NOTED DATE: 10-26-09



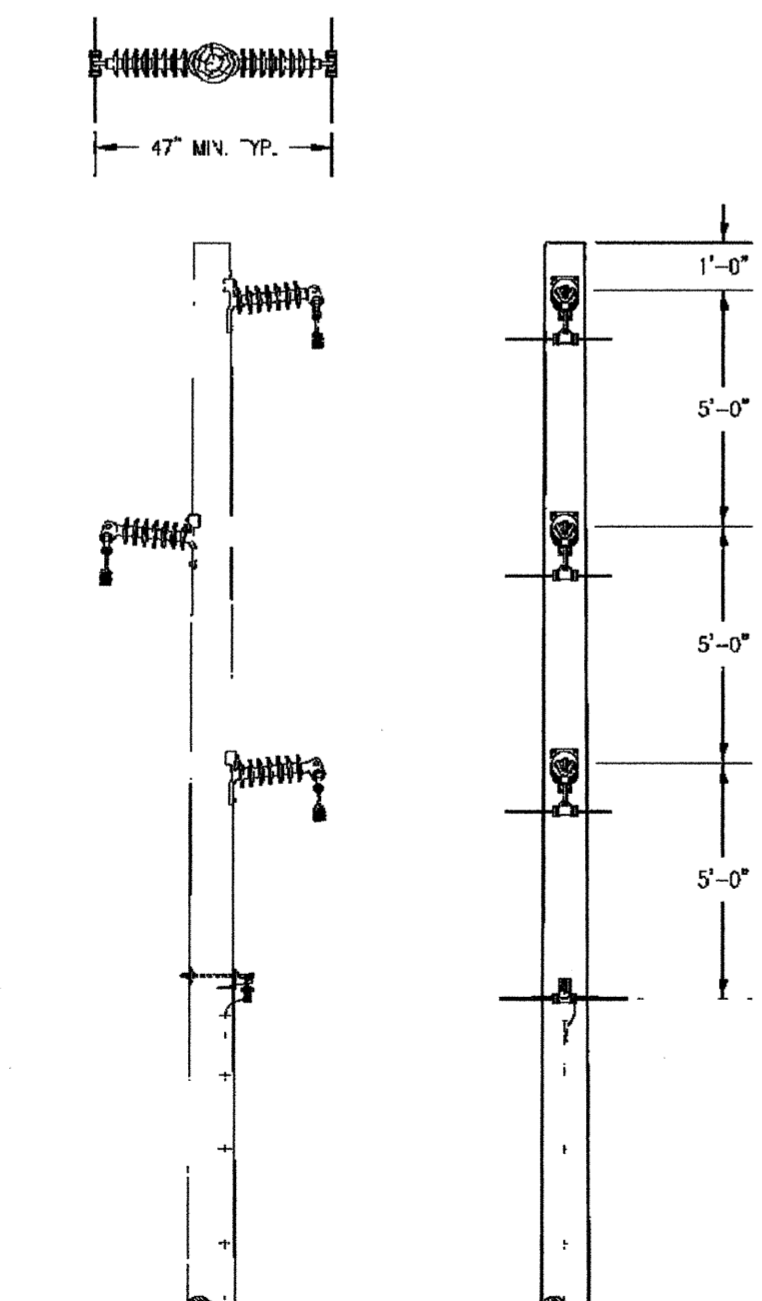
SIN_CKT_RISER



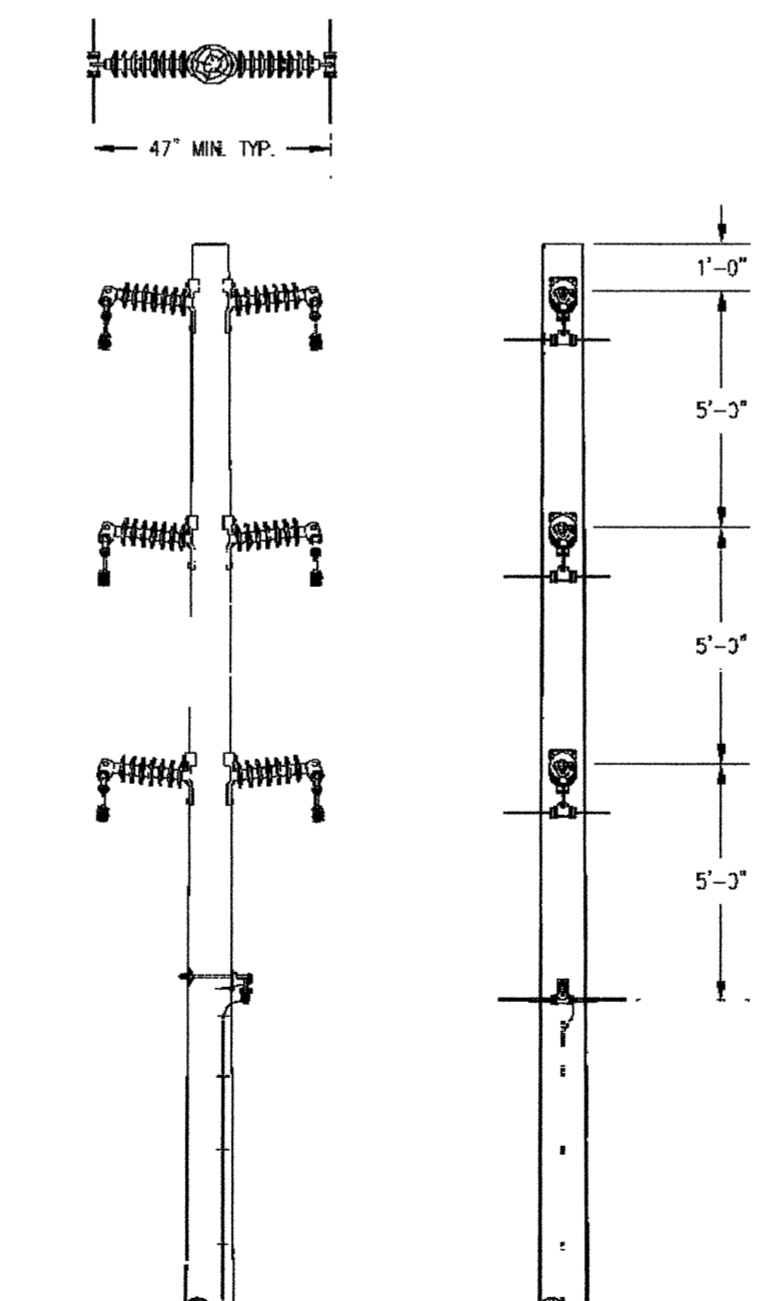
DBL_POL_COR_21'-60'



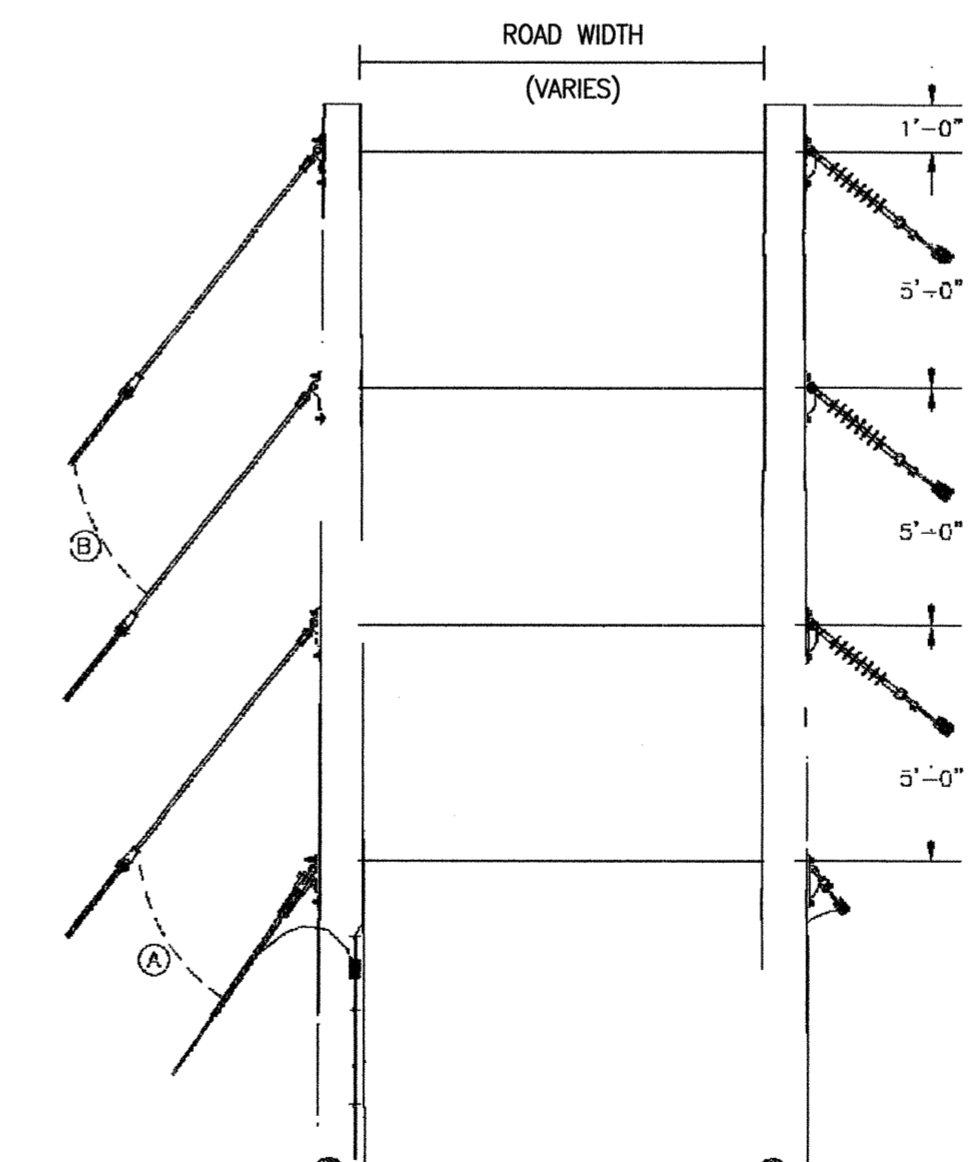
SIN_DE



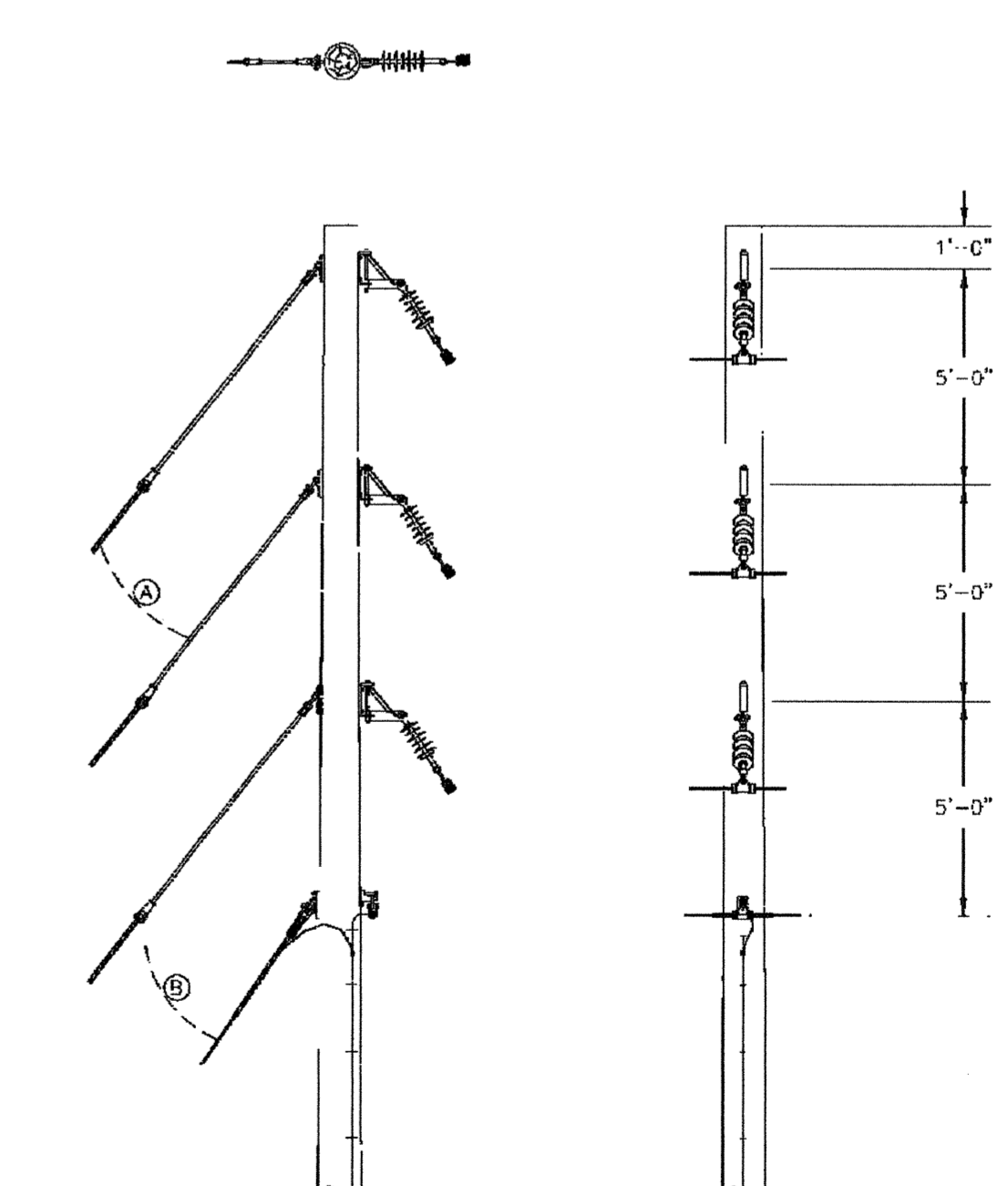
SIN_TAN



DBL_TAN



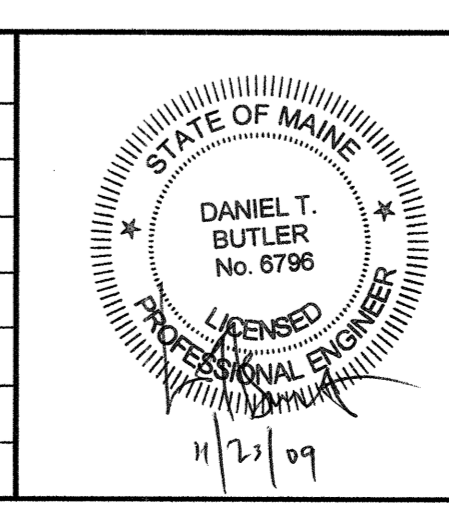
TYP_STUB



SIN_COR_1'-20'

- NOTES:
- SEE DRAWING G-2 FOR PROJECT NOTES, LEGEND, AND ABBREVIATIONS.
 - SEE DRAWING G-3 FOR OVERALL PROJECT MAP AND OVERALL PROJECT DRAWING INDEX.

NO.	REVISION	DATE	BY	CK	P.E. DRAWN	P.E. No.
A	ISSUED FOR PERMITTING	11/18/09	KAV	DTB	DTB	6796



CLIENT APPROVAL	
APPROVED BY	TRC/KAV DESIGNED
COMPANY	TRC/KAV DRAWN
DATE	TRC/DTB CHECKED
	APPROVED
	REVIEWED

34KV STRUCTURE DETAILS I

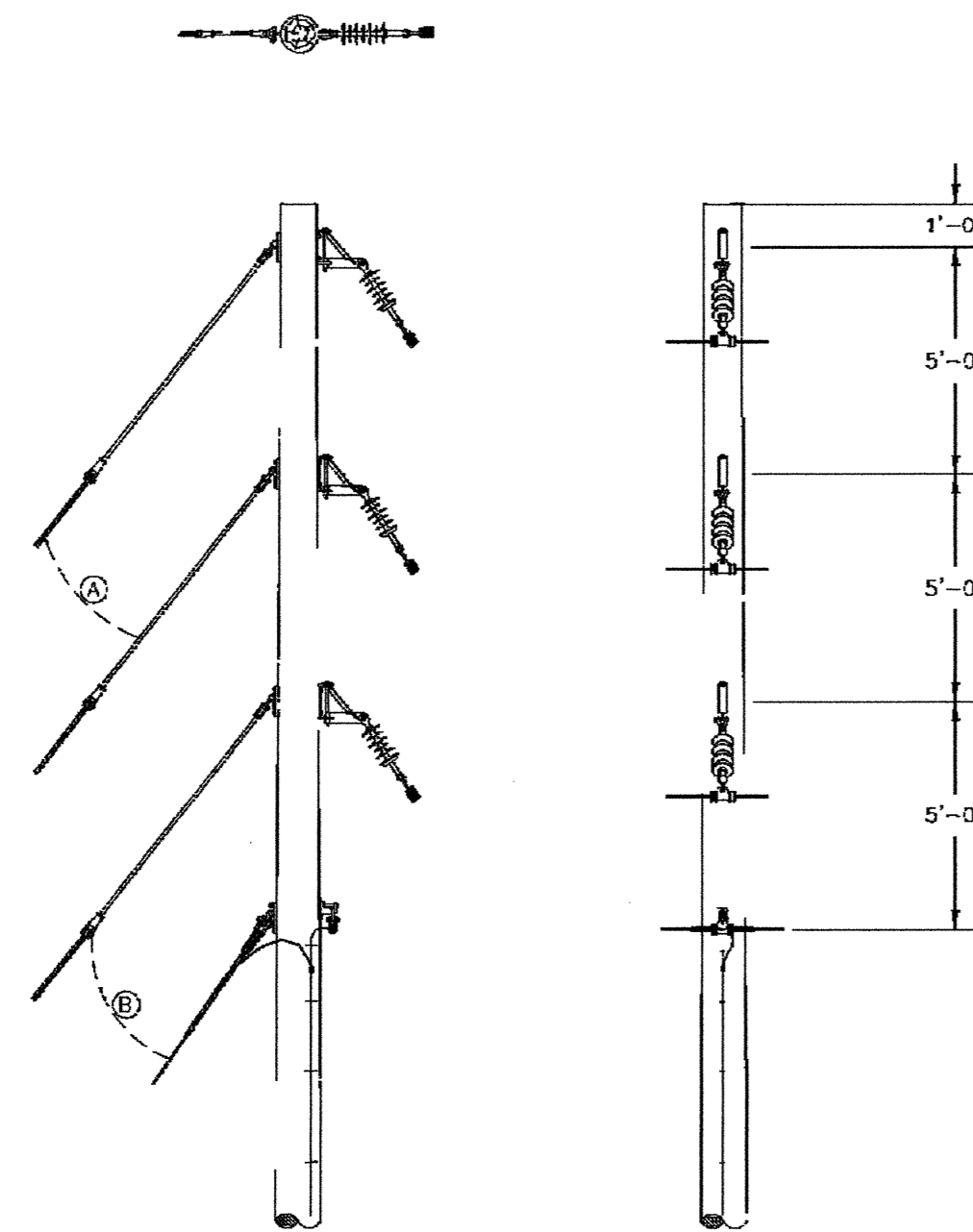
TRANSCANADA
KIBBY EXPANSION WIND POWER PROJECT
CHAIN OF PONDS & KIBBY TOWNSHIPS MAINE

249 WESTERN AVENUE
AUGUSTA, ME 04330
PROJECT NO: 170459
DATE: 10-26-09

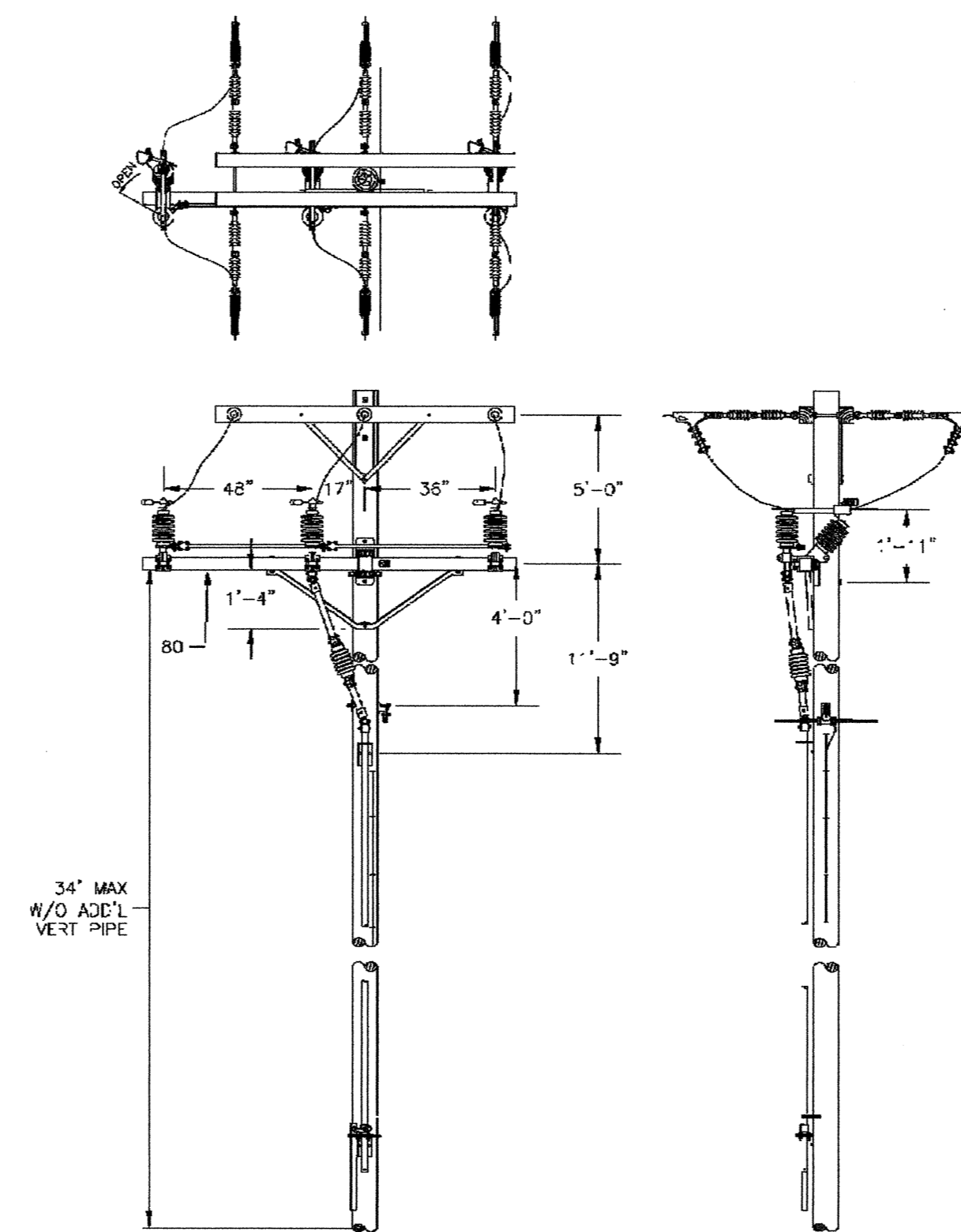
SCALE: AS NOTED

CS-4

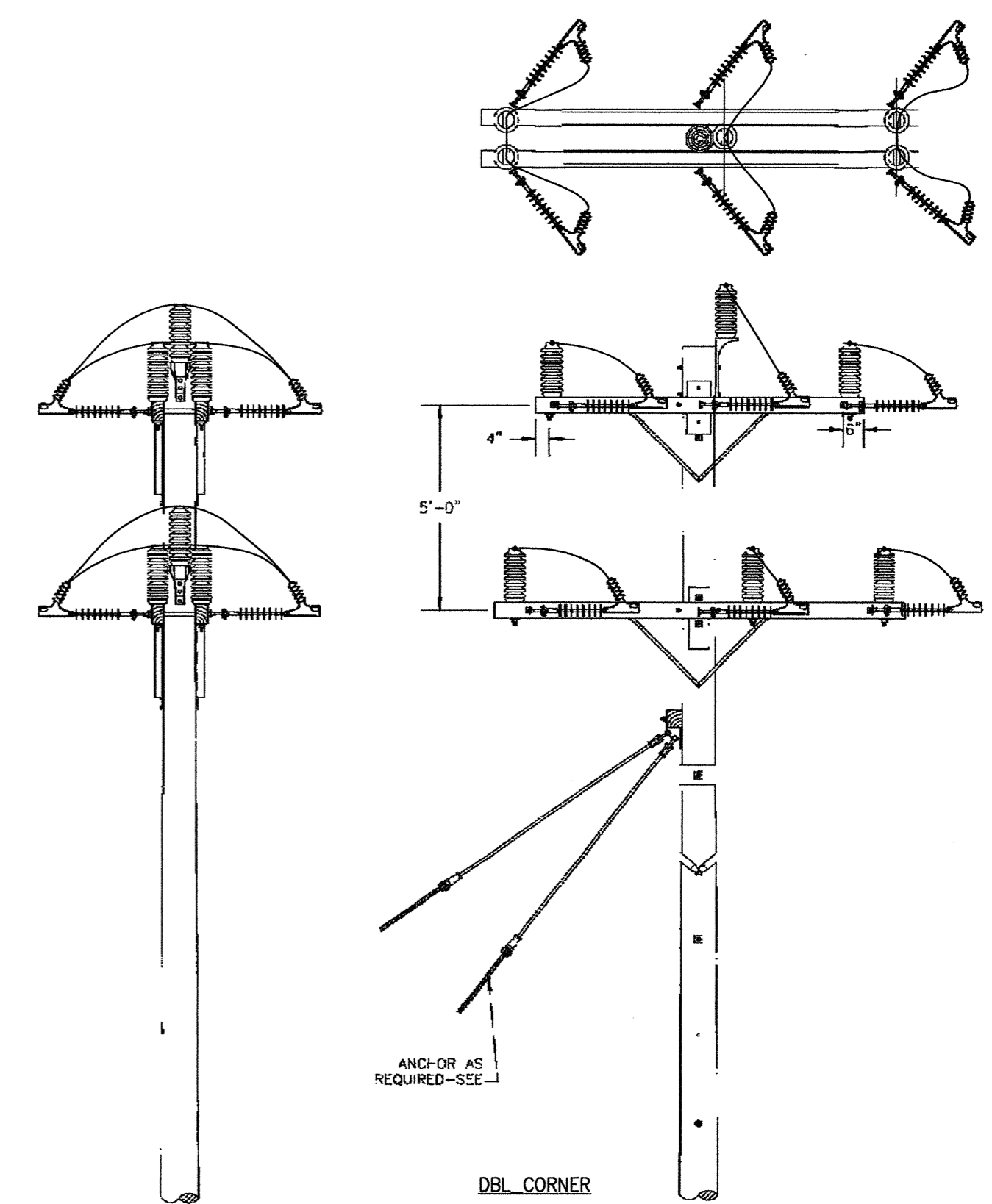
REV. A



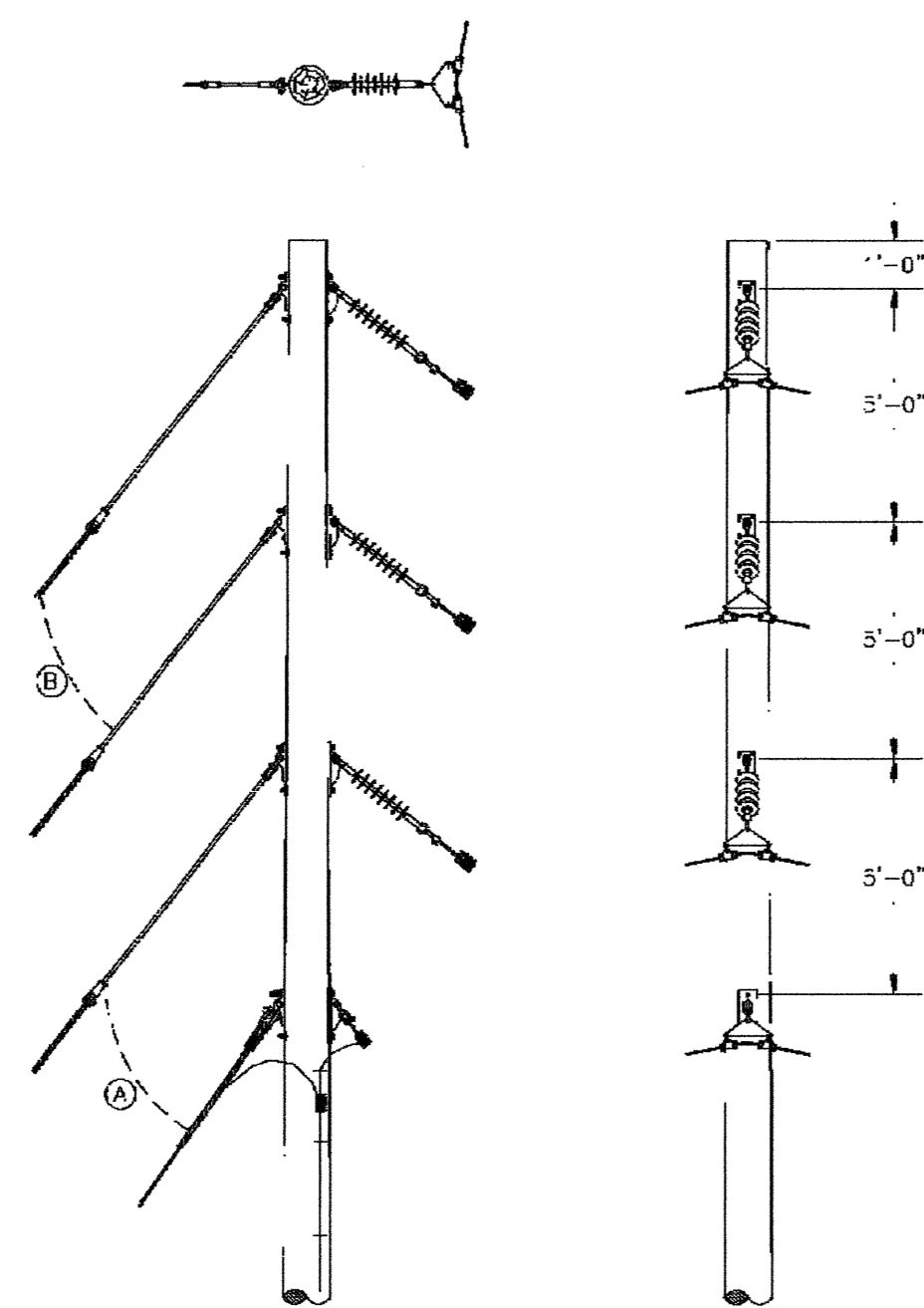
SIN_COR_1'-20'



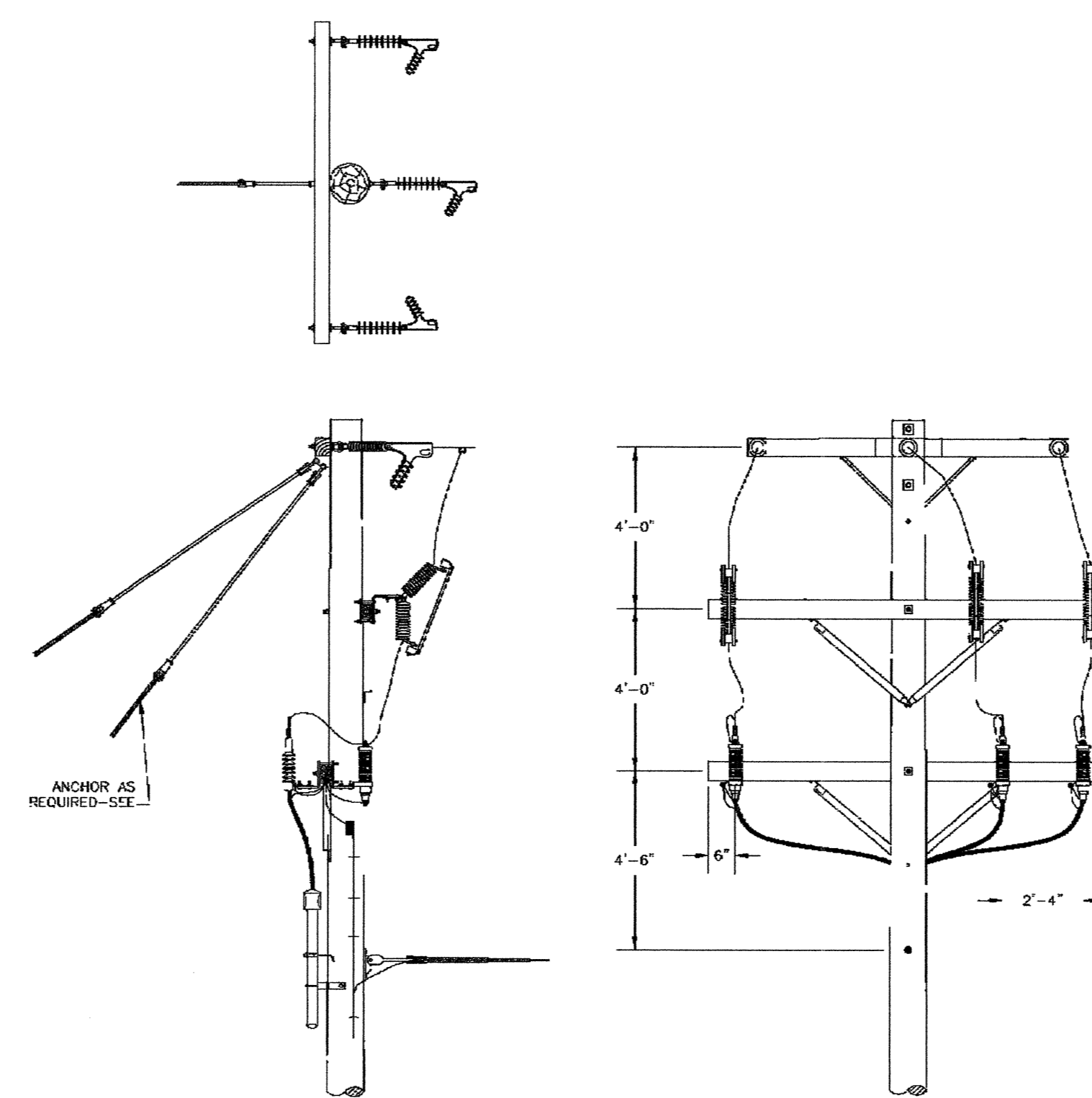
SIN_SECTIONALIZING_SWITCH



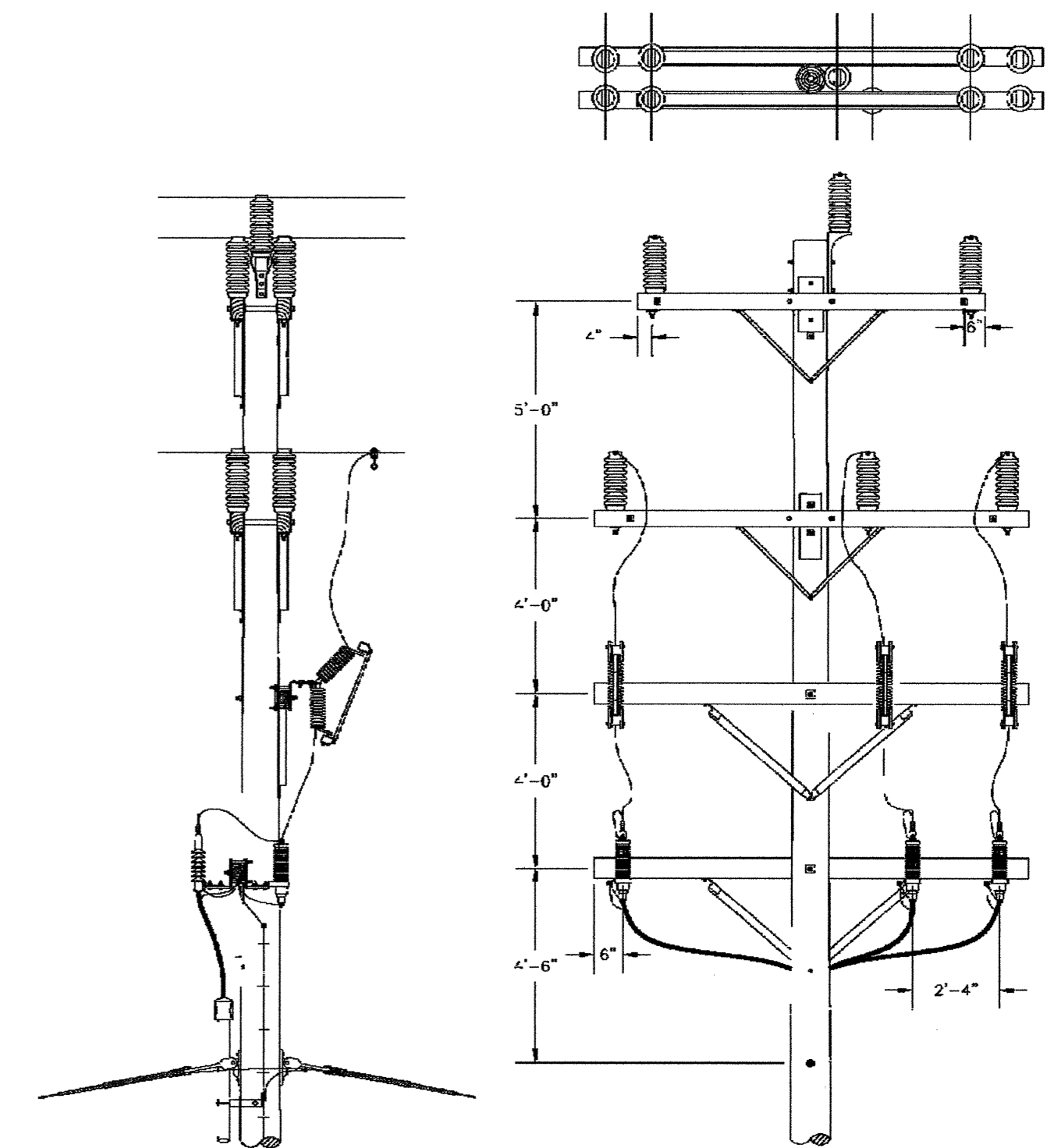
DBL_CORNER



SIN_COR_21'-40'



SIN_DE_RISER

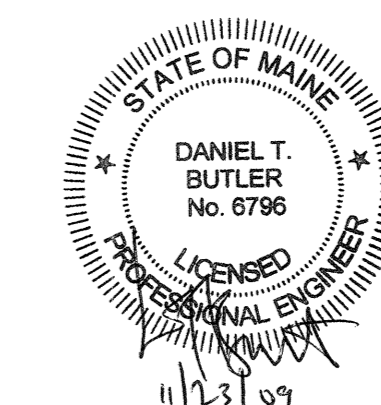


DBL_CKT_RISER

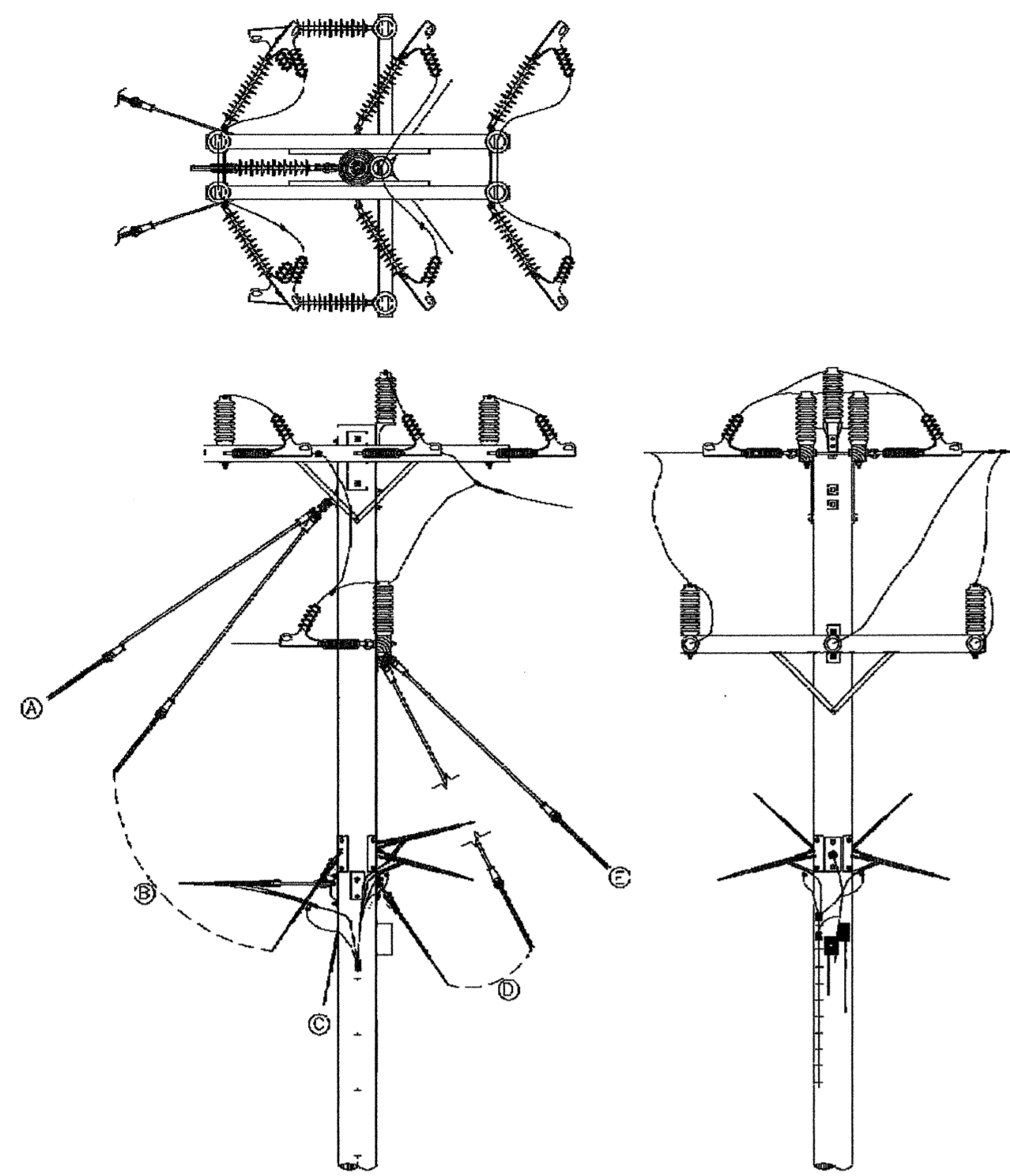
NOTES:

- SEE DRAWING G-2 FOR PROJECT NOTES, LEGEND, AND ABBREVIATIONS.
- SEE DRAWING G-3 FOR OVERALL PROJECT MAP AND OVERALL PROJECT DRAWING INDEX.

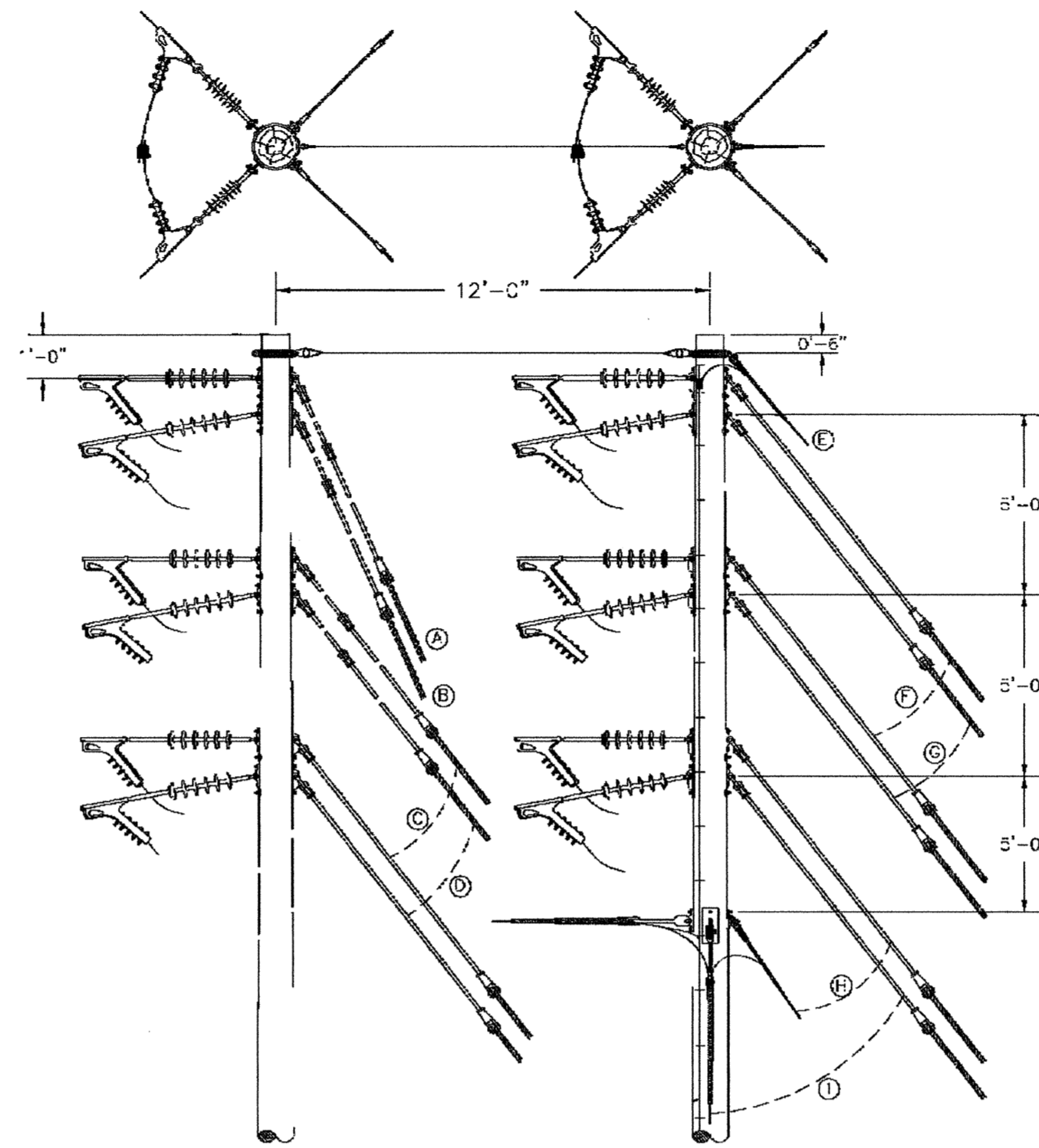
NO.	REVISION	DATE	BY	CK	P.E. STAMPED	P.E. No.
A	ISSUED FOR PERMITTING	11/18/09	KAV	DTB	DTB	6796



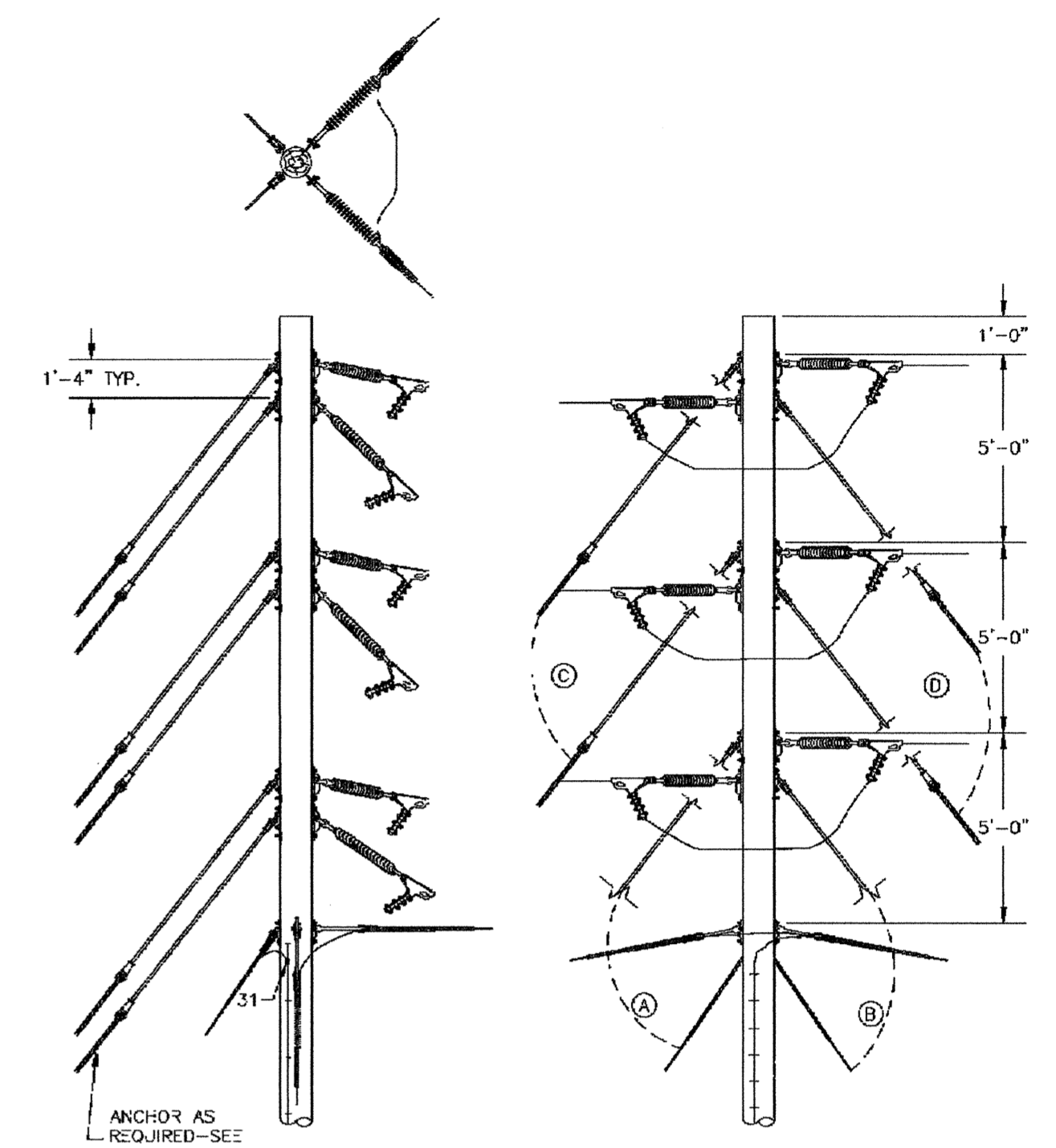
CLIENT APPROVAL		34KV STRUCTURE DETAILS II	
APPROVED BY	TRC/KAV DESIGNED	TRANSCANADA	
COMPANY	TRC/KAV DRAWN	KIBBY EXPANSION WIND POWER PROJECT	
DATE	TRC/DTB CHECKED	CHAIN OF PONDS & KIBBY TOWNSHIPS MAINE	
	APPROVED	SCALE: AS NOTED	
	REVIEWED	249 WESTERN AVENUE AUGUSTA, ME 04330 PROJECT NO: 170459 DATE: 10-26-09	REV. A



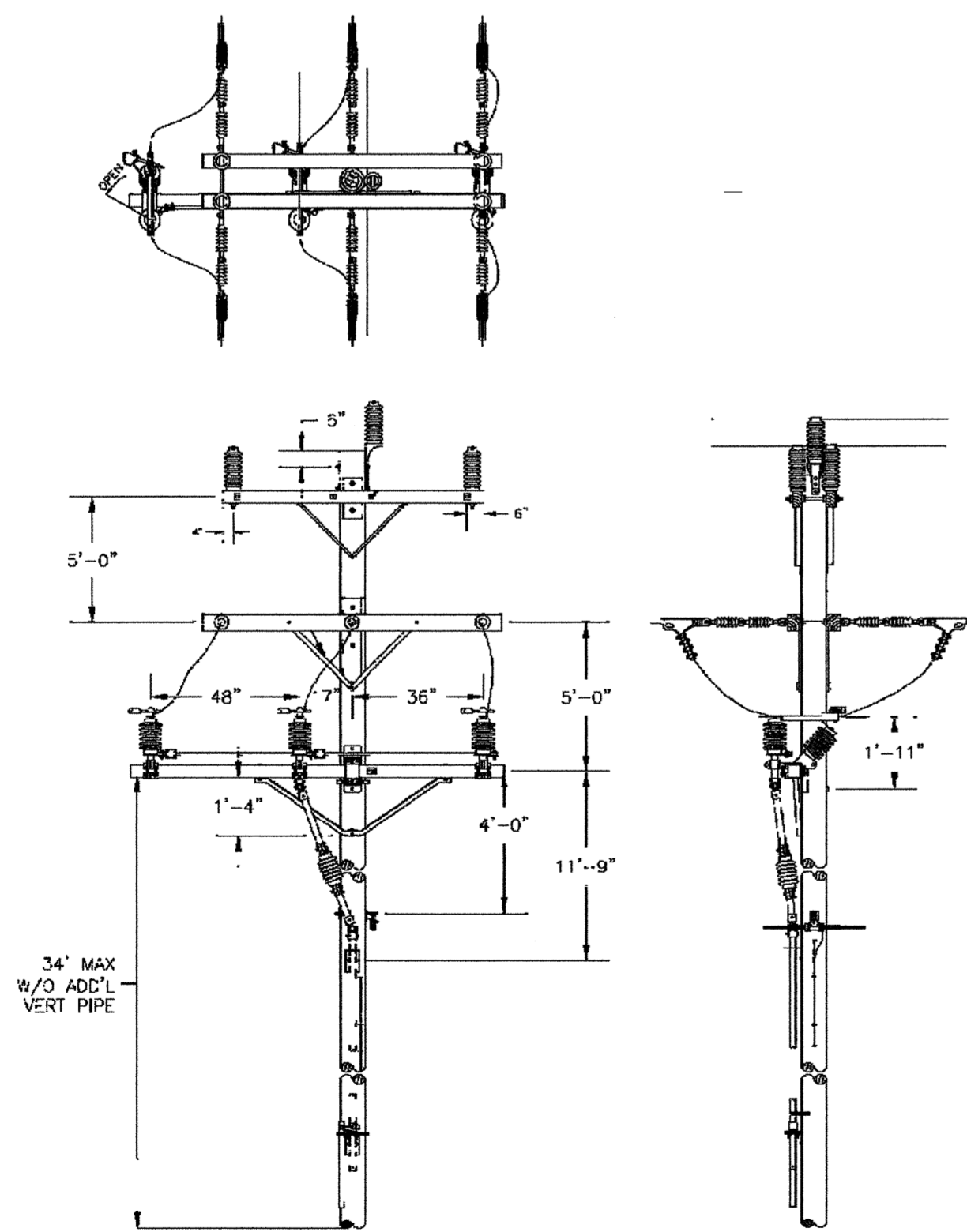
SIN_DDE_W/TAP



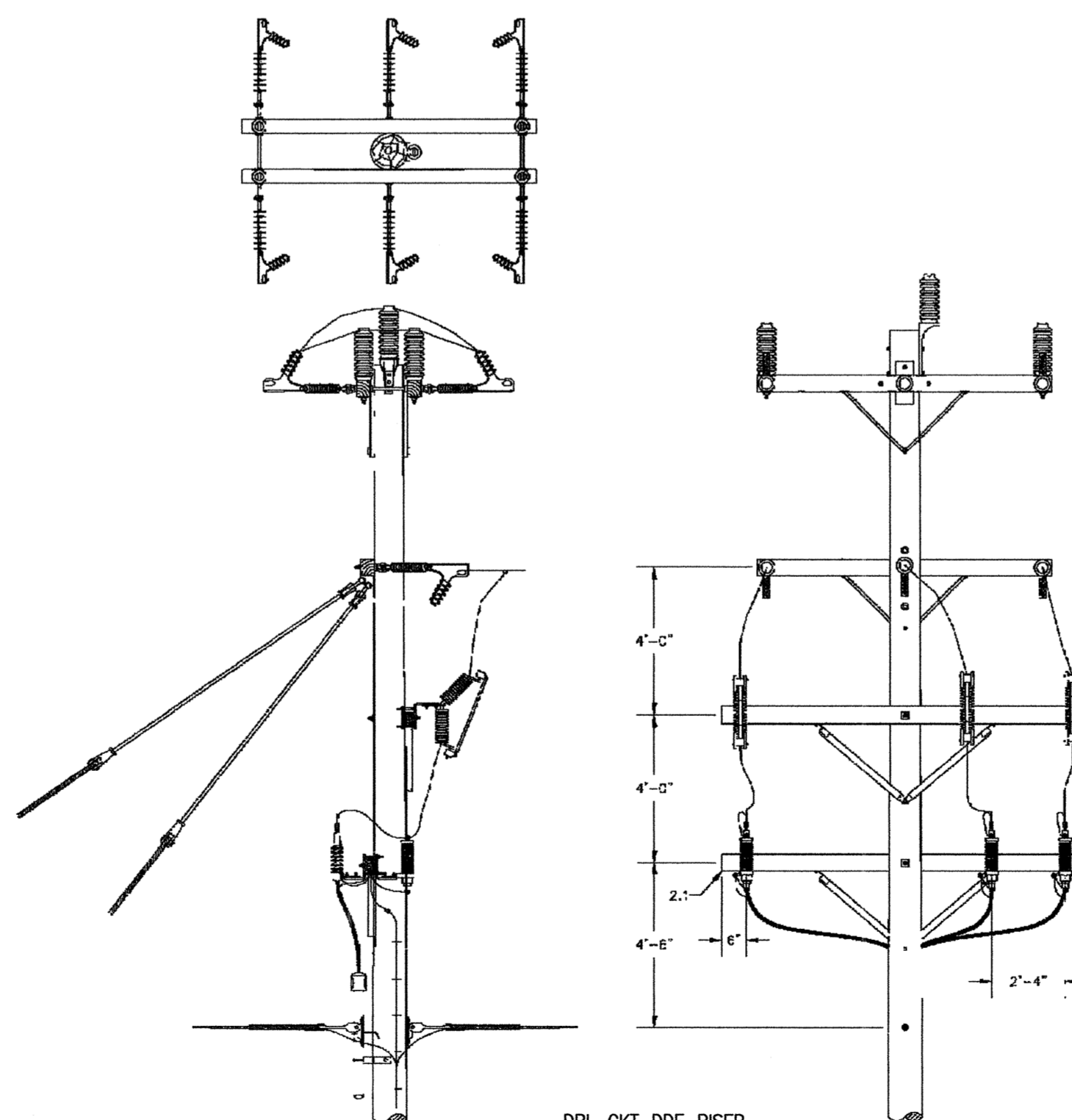
DBL_POL_COR_DDE



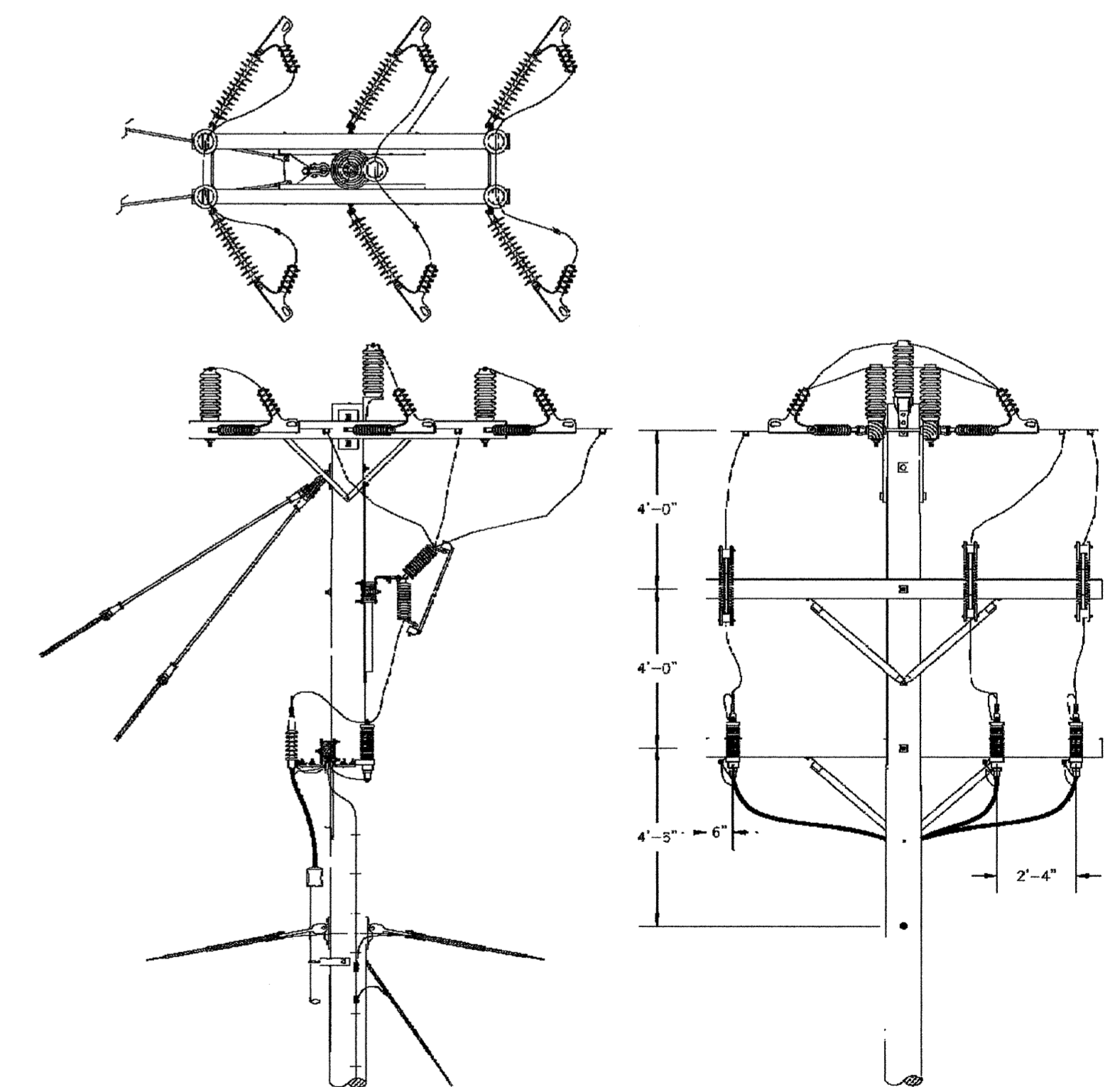
SIN_COR_DDE



DBL_SECTIONALIZING SWITCH



DBL_CKT_DDE_RISER

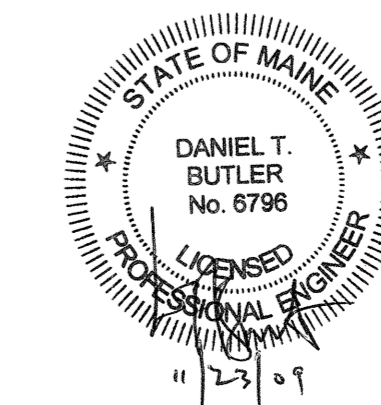


SIN_DDE_RISER

NOTES:

- SEE DRAWING G-2 FOR PROJECT NOTES, LEGEND, AND ABBREVIATIONS.
- SEE DRAWING G-3 FOR OVERALL PROJECT MAP AND OVERALL PROJECT DRAWING INDEX.

NO.	REVISION	DATE	BY	CK	P.E. SHAPED BY	P.E. No.
A	ISSUED FOR PERMITTING	11/18/09	KAV	DTB	DTB	6796



CLIENT APPROVAL	
APPROVED BY	TRC/KAV DESIGNED
COMPANY	TRC/KAV DRAWN
DATE	TRC/DTB CHECKED
	APPROVED
	REVIEWED

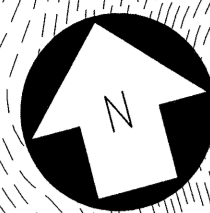
34KV STRUCTURE DETAILS III

TRANSCANADA
KIBBY EXPANSION WIND POWER PROJECT
CHAIN OF PONDS & KIBBY TOWNSHIPS MAINE

249 WESTERN AVENUE
AUGUSTA, ME 04330
PROJECT NO: 170459
DATE: 10-26-09

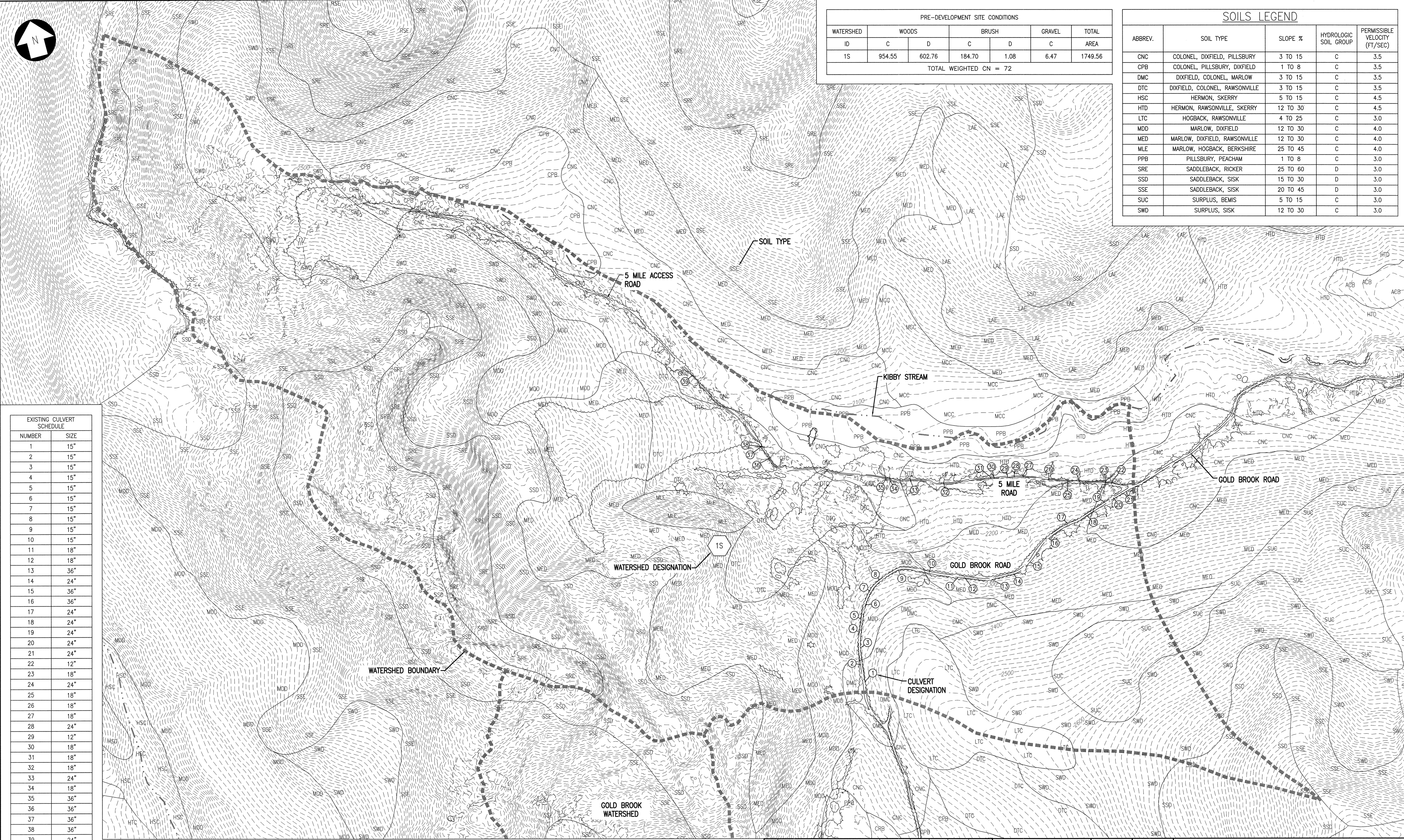
CS-6

REV. A

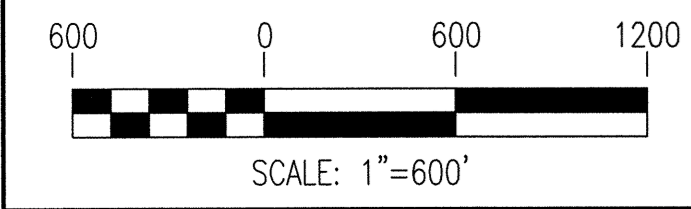


PRE-DEVELOPMENT SITE CONDITIONS						
WATERSHED ID	WOODS		BRUSH		GRAVEL	TOTAL
	C	D	C	D	C	AREA
1S	954.55	602.76	184.70	1.08	6.47	1749.56
TOTAL WEIGHTED CN = 72						

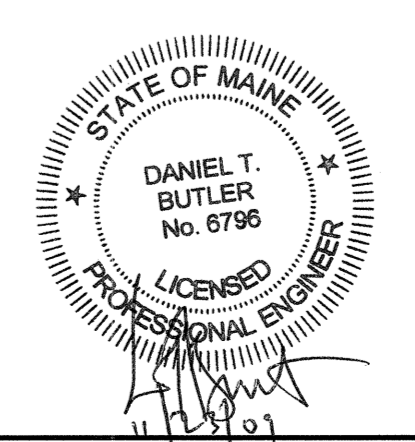
SOILS LEGEND					
ABBREV.	SOIL TYPE	SLOPE %	HYDROLOGIC SOIL GROUP	PERMISSIBLE VELOCITY (FT/SEC)	
CNC	COLONEL, DIXFIELD, PILLSBURY	3 TO 15	C	3.5	
CPB	COLONEL, PILLSBURY, DIXFIELD	1 TO 8	C	3.5	
DMC	DIXFIELD, COLONEL, MARLOW	3 TO 15	C	3.5	
DTC	DIXFIELD, COLONEL, RAWSONVILLE	3 TO 15	C	3.5	
HSC	HERMON, SKERRY	5 TO 15	C	4.5	
HTD	HERMON, RAWSONVILLE, SKERRY	12 TO 30	C	4.5	
LTC	HOGBACK, RAWSONVILLE	4 TO 25	C	3.0	
MDD	MARLOW, DIXFIELD	12 TO 30	C	4.0	
MED	MARLOW, DIXFIELD, RAWSONVILLE	12 TO 30	C	4.0	
MLE	MARLOW, HOGBACK, BERKSHIRE	25 TO 45	C	4.0	
PPB	PILLSBURY, PEACHAM	1 TO 8	C	3.0	
SRE	SADDLEBACK, RICKER	25 TO 60	D	3.0	
SSD	SADDLEBACK, SISK	15 TO 30	D	3.0	
SSE	SADDLEBACK, SISK	20 TO 45	D	3.0	
SUC	SURPLUS, BEMIS	5 TO 15	C	3.0	
SWD	SURPLUS, SISK	12 TO 30	C	3.0	



EXISTING CULVERT SCHEDULE	
NUMBER	SIZE
1	15"
2	15"
3	15"
4	15"
5	15"
6	15"
7	15"
8	15"
9	15"
10	15"
11	18"
12	18"
13	36"
14	24"
15	36"
16	36"
17	24"
18	24"
19	24"
20	24"
21	24"
22	12"
23	18"
24	24"
25	18"
26	18"
27	18"
28	24"
29	12"
30	18"
31	18"
32	18"
33	24"
34	18"
35	36"
36	36"
37	36"
38	36"
39	24"



NO.	REVISION	DATE	BY	CK	P.E. STAMPED BY	P.E. No.
A	ISSUED FOR PERMITTING	11/18/09	PGT	DTB	DTB	6796



CLIENT APPROVAL	
APPROVED BY	TRC/PGT DESIGNED
COMPANY	TRC/SDT DRAWN
DATE	TRC/DTB CHECKED
	APPROVED
	REVIEWED

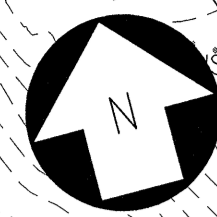
PRE-DEVELOPMENT WATERSHED PLANS
 KIBBY STREAM WATERSHED
 TRANSCANADA
 KIBBY EXPANSION WIND POWER PROJECT
 CHAIN OF PONDS & KIBBY TOWNSHIPS MAINE

249 WESTERN AVENUE
 AUGUSTA, ME 04330
 PROJECT NO: 170459
 DATE: 10-14-09

SCALE: AS NOTED

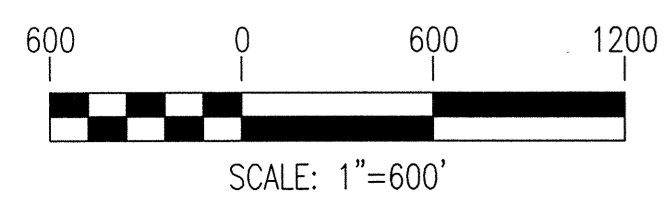
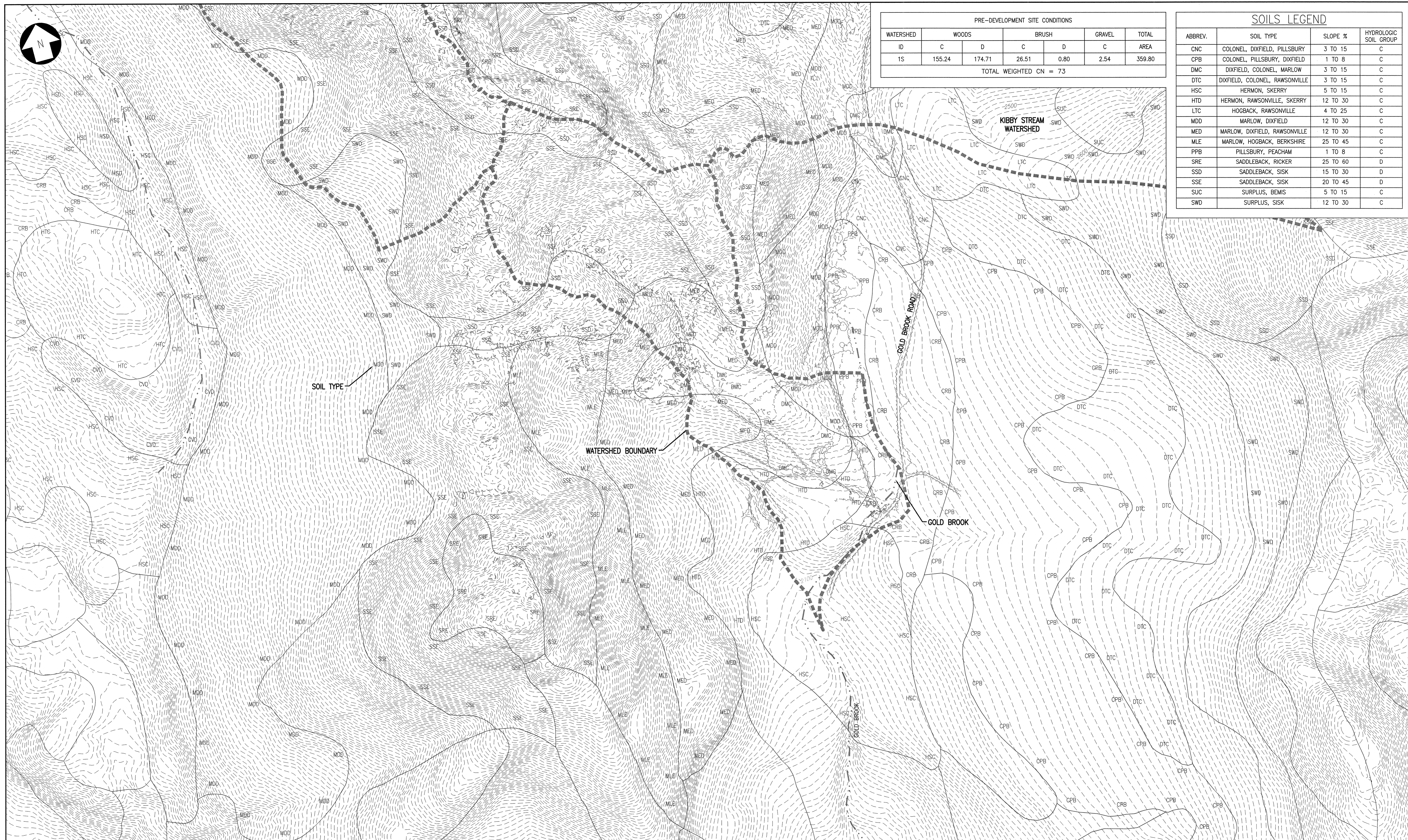
SW-1

REV. A

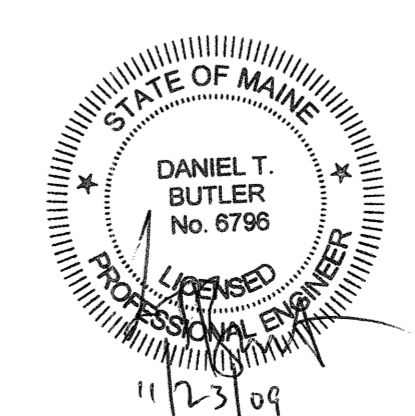


PRE-DEVELOPMENT SITE CONDITIONS						
WATERSHED ID	WOODS		BRUSH		GRAVEL	TOTAL
	C	D	C	D	C	AREA
1S	155.24	174.71	26.51	0.80	2.54	359.80
TOTAL WEIGHTED CN = 73						

SOILS LEGEND			
ABBREV.	SOIL TYPE	SLOPE %	HYDROLOGIC SOIL GROUP
CNC	COLONEL, DIXFIELD, PILLSBURY	3 TO 15	C
CPB	COLONEL, PILLSBURY, DIXFIELD	1 TO 8	C
DMC	DIXFIELD, COLONEL, MARLOW	3 TO 15	C
DTC	DIXFIELD, COLONEL, RAWSONVILLE	3 TO 15	C
HSC	HERMON, SKERRY	5 TO 15	C
HTD	HERMON, RAWSONVILLE, SKERRY	12 TO 30	C
LTC	HOGBACK, RAWSONVILLE	4 TO 25	C
MDD	MARLOW, DIXFIELD	12 TO 30	C
MED	MARLOW, DIXFIELD, RAWSONVILLE	12 TO 30	C
MLE	MARLOW, HOGBACK, BERKSHIRE	25 TO 45	C
PPB	PILLSBURY, PEACHAM	1 TO 8	C
SRE	SADDEBACK, RICKER	25 TO 60	D
SSD	SADDEBACK, SISK	15 TO 30	D
SSE	SADDEBACK, SISK	20 TO 45	D
SUC	SURPLUS, BEMIS	5 TO 15	C
SWD	SURPLUS, SISK	12 TO 30	C



NO.	REVISION	DATE	BY	CK	P. E. DRAWN BY	P. E. No.
A	ISSUED FOR PERMITTING	11/18/09	PGT	DTB	DTB	6796



CLIENT APPROVAL	
APPROVED BY	TRC/PGT DESIGNED
COMPANY	TRC/SDT DRAWN
DATE	TRC/DTB CHECKED
	APPROVED
	REVIEWED

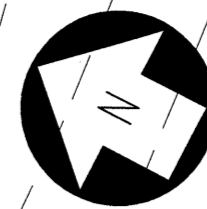
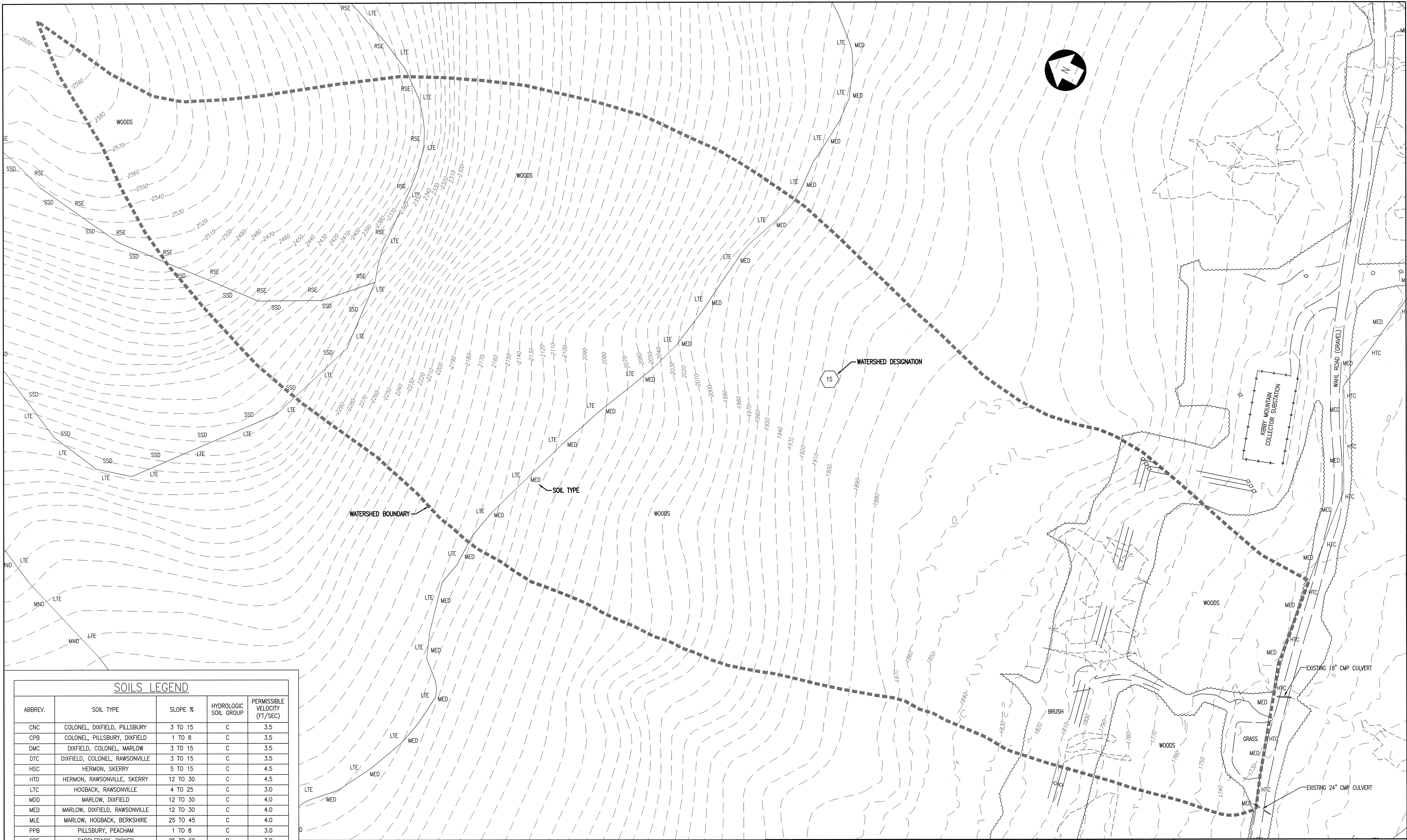
PRE-DEVELOPMENT WATERSHED PLANS
 GOLD BROOK WATERSHED
 TRANSCANADA
 KIBBY EXPANSION WIND POWER PROJECT
 CHAIN OF PONDS & KIBBY TOWNSHIPS MAINE

TRC 249 WESTERN AVENUE
 AUGUSTA, ME 04330
 PROJECT NO: 170459
 DATE: 10-14-09

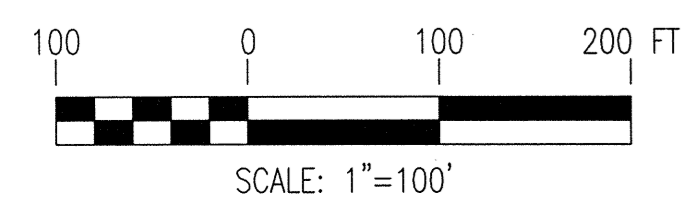
SCALE: AS NOTED

SW-2

REV. A

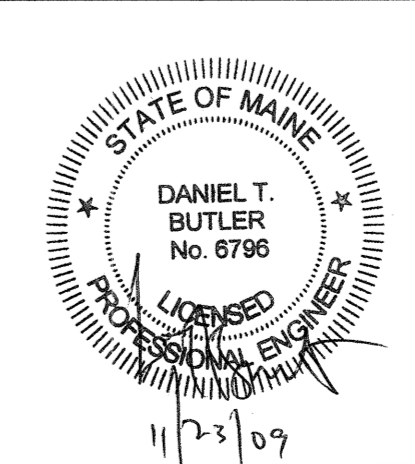


SOILS LEGEND				
ABBREV.	SOIL TYPE	SLOPE %	HYDROLOGIC SOIL GROUP	PERMISSIBLE VELOCITY (FT/SEC)
CNC	COLONEL, DIXFIELD, PILLSBURY	3 TO 15	C	3.5
CPB	COLONEL, PILLSBURY, DIXFIELD	1 TO 8	C	3.5
DMC	DIXFIELD, COLONEL, MARLOW	3 TO 15	C	3.5
DTC	DIXFIELD, COLONEL, RAWSONVILLE	3 TO 15	C	3.5
HSC	HERMON, SKERRY	5 TO 15	C	4.5
HTD	HERMON, RAWSONVILLE, SKERRY	12 TO 30	C	4.5
LTC	HOGBACK, RAWSONVILLE	4 TO 25	C	3.0
MDD	MARLOW, DIXFIELD	12 TO 30	C	4.0
MED	MARLOW, DIXFIELD, RAWSONVILLE	12 TO 30	C	4.0
MLE	MARLOW, HOGBACK, BERKSHIRE	25 TO 45	C	4.0
PPB	PILLSBURY, PEACHAM	1 TO 8	C	3.0
SRE	SADDLEBACK, RICKER	25 TO 60	D	3.0
SSD	SADDLEBACK, SISK	15 TO 30	D	3.0
SSE	SADDLEBACK, SISK	20 TO 45	D	3.0
SUC	SURPLUS, BEMIS	5 TO 15	C	3.0
SWD	SURPLUS, SISK	12 TO 30	C	3.0



PRE-DEVELOPMENT CONDITIONS					
WATERSHED	BRUSH	GRASS	WOODS	TOTAL	
ID	C	C	C	D	AREA
1S	3.94	0.58	47.63	9.63	61.78
(ALL AREAS ARE IN ACRES)					
TOTAL WEIGHTED CN = 71					

NO.	REVISION	DATE	BY	CK	P.E. STAMPED BY	P.E. No.
A	ISSUED FOR PERMITTING	11/18/09	PGT	DTB	DTB	6796

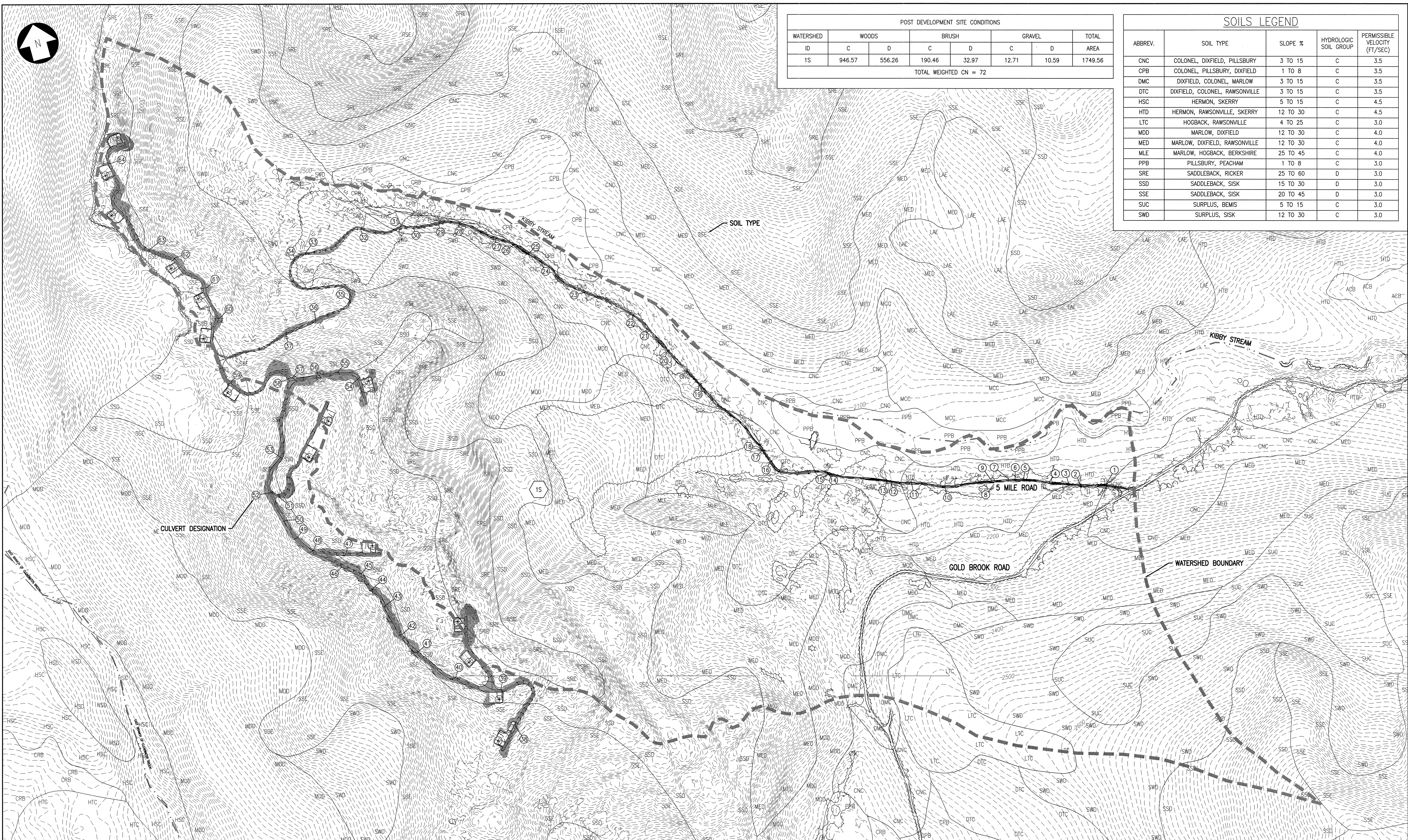


CLIENT APPROVAL	
APPROVED BY	TRC/PGT DESIGNED
COMPANY	TRC/SDT DRAWN
DATE	TRC/DTB CHECKED
	APPROVED
	REVIEWED

PRE-DEVELOPMENT WATERSHED PLANS
 COLLECTOR SUBSTATION WATERSHED
 TRANSCANADA
 KIBBY EXPANSION WIND POWER PROJECT
 CHAIN OF PONDS & KIBBY TOWNSHIPS MAINE

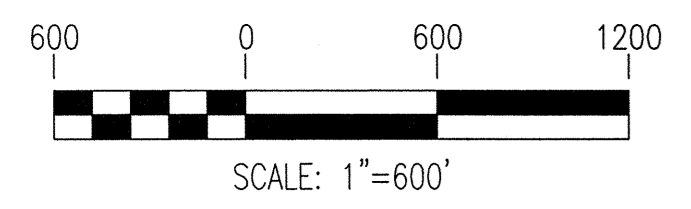
SCALE: AS NOTED
 DATE: 10-14-09

SW-3
 REV. A

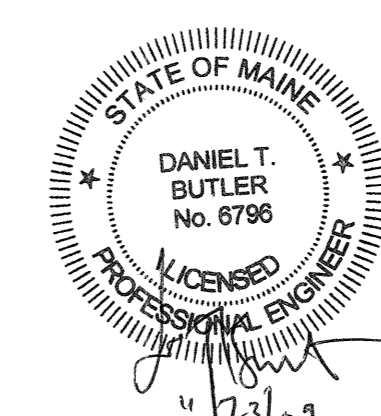


POST DEVELOPMENT SITE CONDITIONS							
WATERSHED	WOODS		BRUSH		GRAVEL		TOTAL
ID	C	D	C	D	C	D	AREA
1S	946.57	556.26	190.46	32.97	12.71	10.59	1749.56
TOTAL WEIGHTED CN = 72							

SOILS LEGEND				
ABBREV.	SOIL TYPE	SLOPE %	HYDROLOGIC SOIL GROUP	PERMISSIBLE VELOCITY (FT/SEC)
CNC	COLONEL, DIXFIELD, PILLSBURY	3 TO 15	C	3.5
CPB	COLONEL, PILLSBURY, DIXFIELD	1 TO 8	C	3.5
DMC	DIXFIELD, COLONEL, MARLOW	3 TO 15	C	3.5
DTC	DIXFIELD, COLONEL, RAWSONVILLE	3 TO 15	C	3.5
HSC	HERMON, SKERRY	5 TO 15	C	4.5
HTD	HERMON, RAWSONVILLE, SKERRY	12 TO 30	C	4.5
LTC	HOGBACK, RAWSONVILLE	4 TO 25	C	3.0
MDD	MARLOW, DIXFIELD	12 TO 30	C	4.0
MED	MARLOW, DIXFIELD, RAWSONVILLE	12 TO 30	C	4.0
MLE	MARLOW, HOGBACK, BERKSHIRE	25 TO 45	C	4.0
PPB	PILLSBURY, PEACHAM	1 TO 8	C	3.0
SRE	SADDLEBACK, RICKER	25 TO 60	D	3.0
SSD	SADDLEBACK, SISK	15 TO 30	D	3.0
SSE	SADDLEBACK, SISK	20 TO 45	D	3.0
SUC	SURPLUS, BEMIS	5 TO 15	C	3.0
SWD	SURPLUS, SISK	12 TO 30	C	3.0



NO.	REVISION	DATE	BY	CK	P.E. STAMPED BY	P.E. No.
A	ISSUED FOR PERMITTING	11/18/09	PGT	DTB	DTB	6796

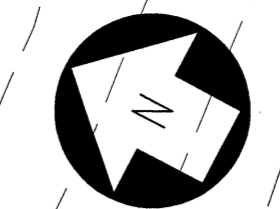
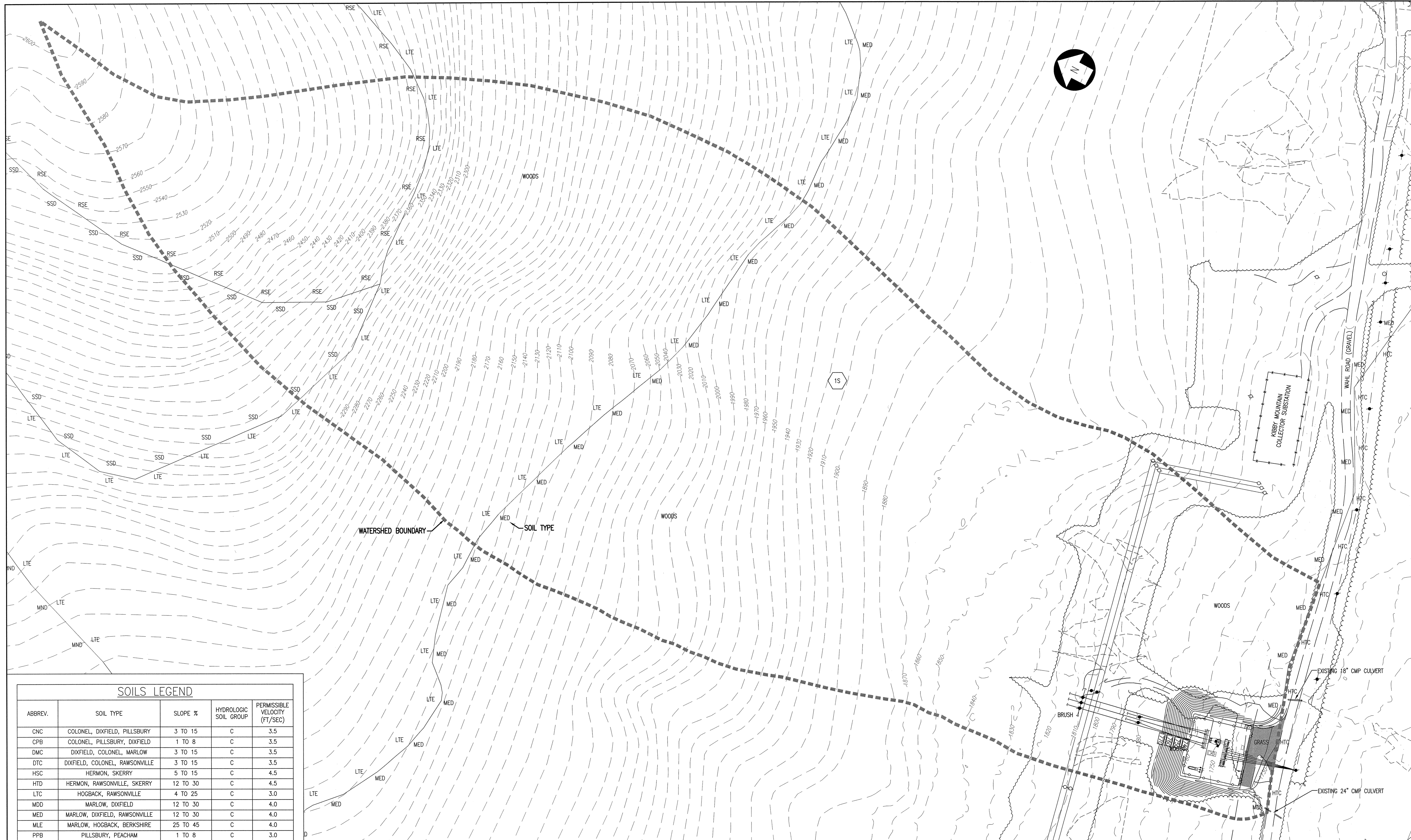


CLIENT APPROVAL	
APPROVED BY	TRC/PGT DESIGNED
COMPANY	TRC/SDT DRAWN
DATE	TRC/DTB CHECKED
	APPROVED
	REVIEWED

POST-DEVELOPMENT WATERSHED PLANS
 KIBBY STREAM WATERSHED
 TRANSCANADA
 KIBBY EXPANSION WIND POWER PROJECT
 CHAIN OF PONDS & KIBBY TOWNSHIPS MAINE

TRC 249 WESTERN AVENUE
 AUGUSTA, ME 04330
 PROJECT NO: 170459
 SCALE: AS NOTED DATE: 10-14-09

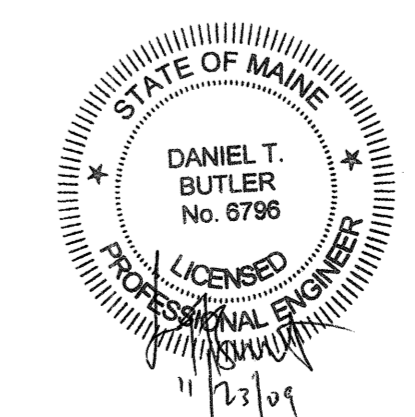
SW-4 REV. A



SOILS LEGEND				
ABBREV.	SOIL TYPE	SLOPE %	HYDROLOGIC SOIL GROUP	PERMISSIBLE VELOCITY (FT/SEC)
CNC	COLONEL, DIXFIELD, PILLSBURY	3 TO 15	C	3.5
CPB	COLONEL, PILLSBURY, DIXFIELD	1 TO 8	C	3.5
DMC	DIXFIELD, COLONEL, MARLOW	3 TO 15	C	3.5
DTC	DIXFIELD, COLONEL, RAWSONVILLE	3 TO 15	C	3.5
HSC	HERMON, SKERRY	5 TO 15	C	4.5
HTD	HERMON, RAWSONVILLE, SKERRY	12 TO 30	C	4.5
LTC	HOGBACK, RAWSONVILLE	4 TO 25	C	3.0
MDD	MARLOW, DIXFIELD	12 TO 30	C	4.0
MED	MARLOW, DIXFIELD, RAWSONVILLE	12 TO 30	C	4.0
MLE	MARLOW, HOGBACK, BERKSHIRE	25 TO 45	C	4.0
PPB	PILLSBURY, PEACHAM	1 TO 8	C	3.0
SRE	SADDLEBACK, RICKER	25 TO 60	D	3.0
SSD	SADDLEBACK, SISK	15 TO 30	D	3.0
SSE	SADDLEBACK, SISK	20 TO 45	D	3.0
SUC	SURPLUS, BEMIS	5 TO 15	C	3.0
SWD	SURPLUS, SISK	12 TO 30	C	3.0

POST-DEVELOPMENT CONDITIONS							
WATERSHED	BRUSH	BLDG/FDN	GRASS	GRAVEL	SUBSTATION	WOODS	TOTAL
ID	C	98	C	C	55	C	D
1S	4.12	0.03	0.99	0.18	0.47	46.36	9.63
(ALL AREAS ARE IN ACRES)							61.78
TOTAL WEIGHTED CN = 71							

NO.	REVISION	DATE	BY	CK	P.E. STAMPED BY	P.E. No.
A	ISSUED FOR PERMITTING	11/18/09	PGT	DTB	DTB	6796



CLIENT APPROVAL	
APPROVED BY	TRC/PGT DESIGNED
COMPANY	TRC/SDT DRAWN
DATE	TRC/DTB CHECKED
	APPROVED
	REVIEWED

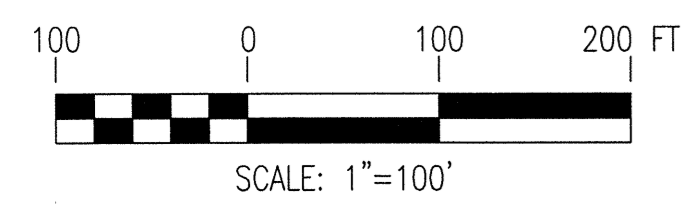
POST-DEVELOPMENT WATERSHED PLANS
COLLECTOR SUBSTATION WATERSHED
TRANSCANADA
KIBBY EXPANSION WIND POWER PROJECT
CHAIN OF PONDS & KIBBY TOWNSHIPS MAINE

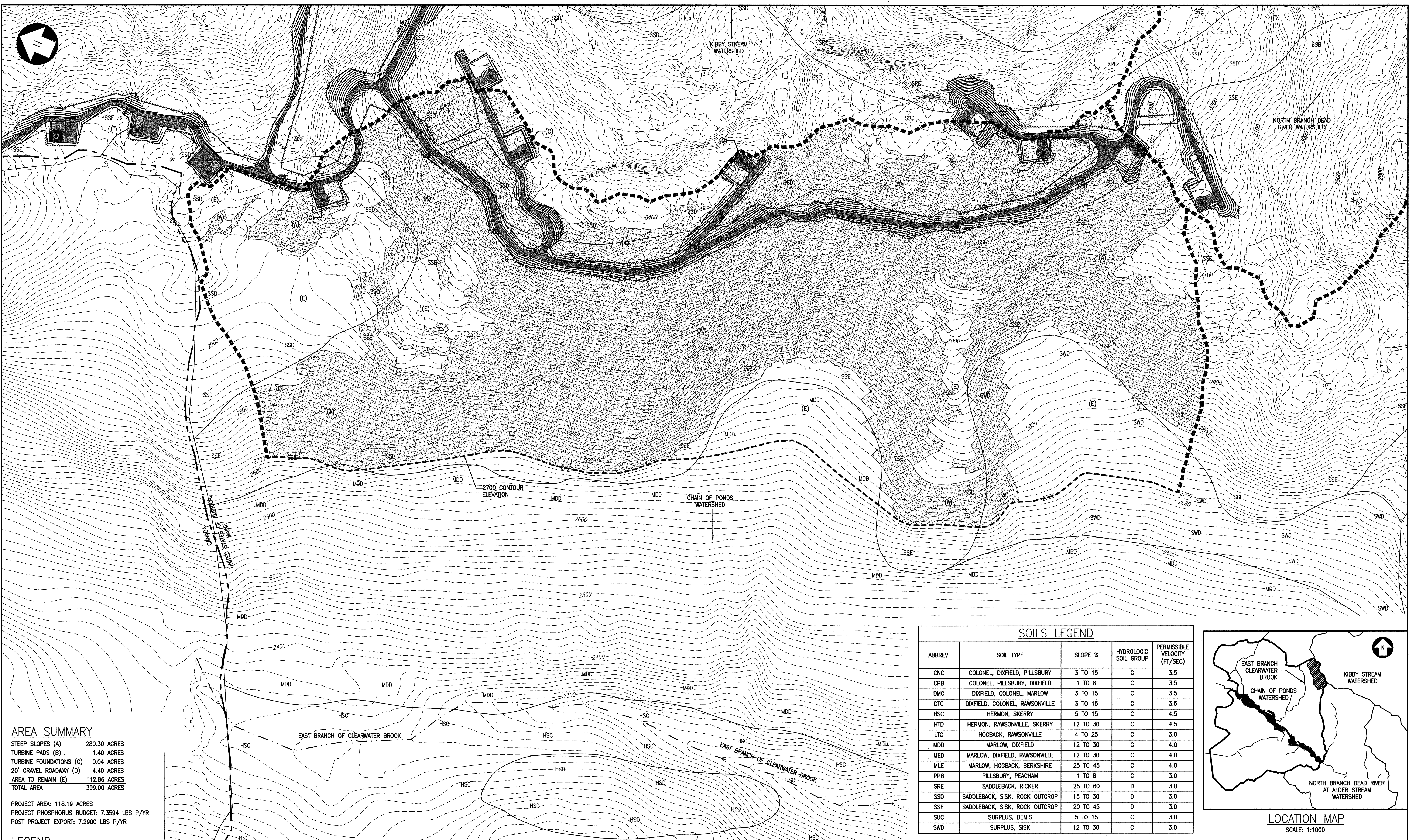
SCALE: AS NOTED

249 WESTERN AVENUE
AUGUSTA, ME 04330
PROJECT NO: 170459
DATE: 10-14-09

SW-6

REV. A





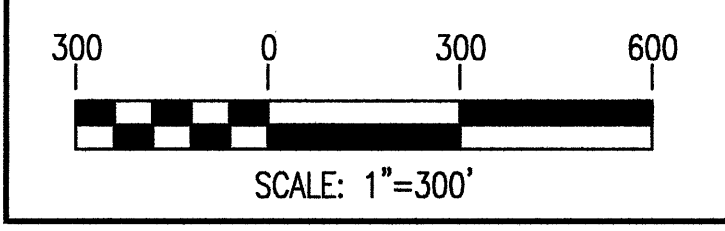
AREA SUMMARY

STEEP SLOPES (A)	280.30 ACRES
TURBINE PADS (B)	1.40 ACRES
TURBINE FOUNDATIONS (C)	0.04 ACRES
20" GRAVEL ROADWAY (D)	4.40 ACRES
AREA TO REMAIN (E)	112.86 ACRES
TOTAL AREA	399.00 ACRES

PROJECT AREA: 118.19 ACRES
 PROJECT PHOSPHORUS BUDGET: 7.3594 LBS P/YR
 POST PROJECT EXPORT: 7.2900 LBS P/YR

LEGEND

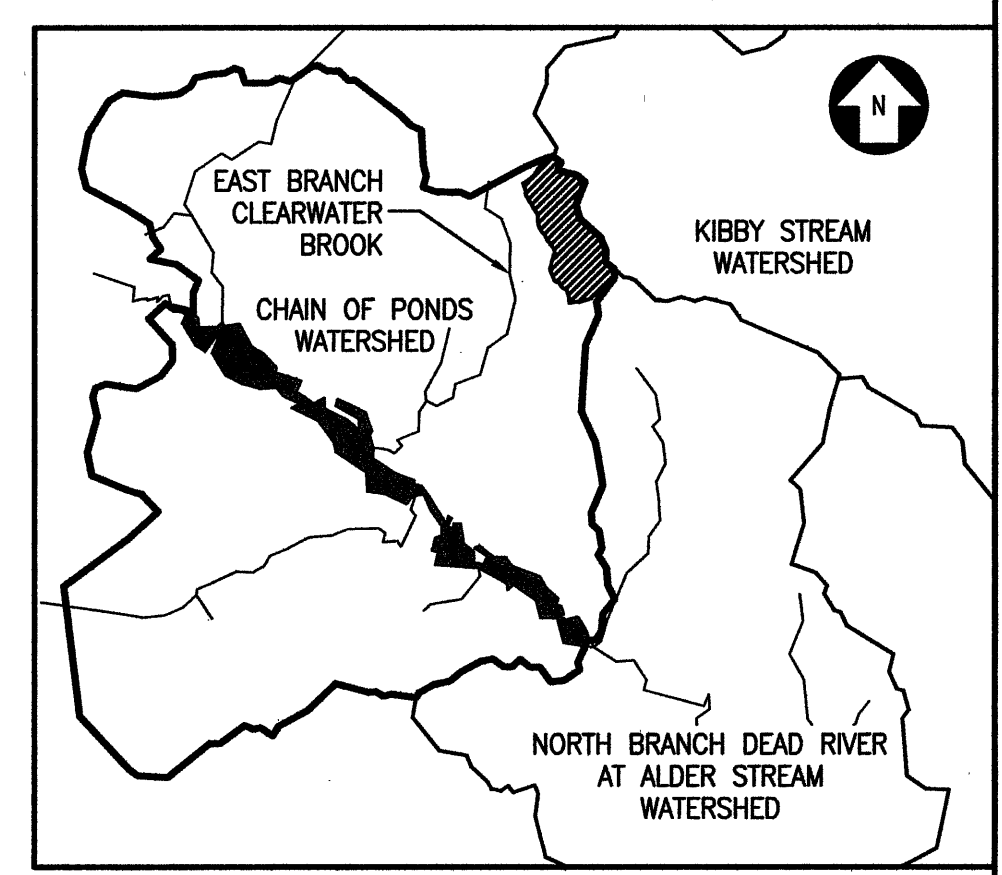
SLOPES GREATER THAN 25% (A)



- NOTES**
- PER ACRE PHOSPHORUS ALLOCATION FOR THE CHAIN OF PONDS WATERSHED IS 0.062 LBS/AC/YR.
 - TOTAL WEIGHTED CURVE NUMBER FOR PRE & POST DEVELOPED CONDITIONS IS THE SAME: 75.

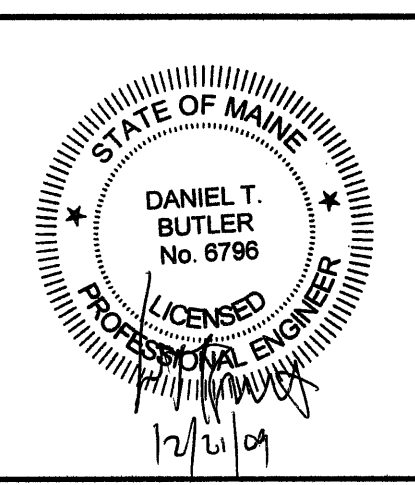
SOILS LEGEND

ABBREV.	SOIL TYPE	SLOPE %	HYDROLOGIC SOIL GROUP	PERMISSIBLE VELOCITY (FT/SEC)
CNC	COLONEL, DIXFIELD, PILLSBURY	3 TO 15	C	3.5
CPB	COLONEL, PILLSBURY, DIXFIELD	1 TO 8	C	3.5
DMC	DIXFIELD, COLONEL, MARLOW	3 TO 15	C	3.5
DTC	DIXFIELD, COLONEL, RAWSONVILLE	3 TO 15	C	3.5
HSC	HERMON, SKERRY	5 TO 15	C	4.5
HTD	HERMON, RAWSONVILLE, SKERRY	12 TO 30	C	4.5
LTC	HOGBACK, RAWSONVILLE	4 TO 25	C	3.0
MDD	MARLOW, DIXFIELD	12 TO 30	C	4.0
MED	MARLOW, DIXFIELD, RAWSONVILLE	12 TO 30	C	4.0
MLE	MARLOW, HOGBACK, BERKSHIRE	25 TO 45	C	4.0
PPB	PILLSBURY, PEACHAM	1 TO 8	C	3.0
SRE	SADDLEBACK, RICKER	25 TO 60	D	3.0
SSD	SADDLEBACK, SISK, ROCK OUTCROP	15 TO 30	D	3.0
SSE	SADDLEBACK, SISK, ROCK OUTCROP	20 TO 45	D	3.0
SUC	SURPLUS, BEMIS	5 TO 15	C	3.0
SWD	SURPLUS, SISK	12 TO 30	C	3.0



LOCATION MAP
SCALE: 1:1000

NO.	REVISION	DATE	BY	CK	P.E. STAMPED BY	P.E. No.
B	REVISED PHOSPHORUS AREAS	12/20/09	PGT	DTB	DTB	6796
A	ISSUED FOR PERMITTING	11/18/09	SDT	PGT	DTB	6796



CLIENT APPROVAL

APPROVED BY:

DATE: 12/20/09

TRC

CURVE NUMBER EVALUATION &
 PHOSPHORUS PLAN - CHAIN OF PONDS WATERSHED
 TRANSCANADA
 KIBBY EXPANSION WIND POWER PROJECT
 CHAIN OF PONDS & KIBBY TOWNSHIPS MAINE

249 WESTERN AVENUE
 AUGUSTA, ME 04330
 PROJECT NO: 170459
 DATE: 10-14-09

SCALE: AS NOTED

REV. B