

DEPARTMENT OF AGRICULTURE, CONSERVATION AND FORESTRY
MAINE LAND USE PLANNING COMMISSION

CHAPTER 10, *LAND USE DISTRICTS AND STANDARDS*

**Proposed Rule Revisions: Revised Application of the
Adjacency Principle & Subdivision Standards**

Date: April 2, 2019

The following amendments propose changes to Chapter 10, *Land Use Districts and Standards for Areas Served by the Maine Land Use Planning Commission*. This document only includes relevant sections of Chapter 10.

Revisions in Section 10.17, Permit Expiration; Sections 10.25,Q,2 through 7 of Subdivision and Lot Creation; and Section 10.25,R, Clustered Development, repeal and replace the existing rule language in its entirety. Therefore, the revisions are not shown in strikeout and underline format. Proposed changes to other sections of Chapter 10 are shown in strikeout and underline format with additions in underlined text and deletions as ~~strikethroughs~~.

Where necessary, further explanations of some changes have been included in [brackets]. These explanatory notes would not be included in the final rule.

Table of Contents

10.02	DEFINITIONS.....	3
10.08	CRITERIA FOR ADOPTION OR AMENDMENT OF LAND USE DISTRICT BOUNDARIES	9
10.08-A	LOCATIONAL FACTORS FOR ADOPTION OR AMENDMENT OF LAND USE DISTRICT BOUNDARIES.....	12
10.17	EXPIRATION OF PERMIT	15
10.21	DEVELOPMENT SUBDISTRICTS	18
	A. COMMERCIAL INDUSTRIAL DEVELOPMENT SUBDISTRICT (D-CI).....	18
	C. GENERAL DEVELOPMENT SUBDISTRICT (D-GN)	24
	F. LOW-DENSITY DEVELOPMENT SUBDISTRICT (D-LD).....	27
	I. RURAL BUSINESS DEVELOPMENT SUBDISTRICT (D-RB)	31
	K. RESOURCE-DEPENDENT DEVELOPMENT SUBDISTRICT (D-RD)	34
	L. RECREATION FACILITY DEVELOPMENT SUBDISTRICT (D-RF).....	40
	M. RESIDENTIAL DEVELOPMENT SUBDISTRICT (D-RS).....	42
10.22	MANAGEMENT SUBDISTRICTS	47
	A. GENERAL MANAGEMENT SUBDISTRICT (M-GN)	47
10.23	PROTECTION SUBDISTRICTS.....	51
	E. GREAT POND PROTECTION SUBDISTRICT (P-GP).....	51
	L. SHORELAND PROTECTION SUBDISTRICT (P-SL)	53
10.25	DEVELOPMENT STANDARDS	55
	D. VEHICULAR CIRCULATION, ACCESS, AND PARKING	55
	E. NATURAL CHARACTER AND CULTURAL RESOURCES.....	61
	F. NOISE AND LIGHTING	64
	P. PROTECTED NATURAL RESOURCES	64
	Q. SUBDIVISION AND LOT CREATION.....	65
	R. RESERVED	84
	S. COMMON OPEN SPACE	85
10.26	DIMENSIONAL REQUIREMENTS.....	87
	D. MINIMUM SETBACKS.....	87
	G. EXCEPTIONS TO DIMENSIONAL REQUIREMENTS	87
10.27	ACTIVITY-SPECIFIC STANDARDS.....	88
	A. AGRICULTURAL ACTIVITIES	88
	J. SIGNS	90
	N. HOME-BASED BUSINESS	91
	Q. RECREATIONAL LODGING FACILITIES	93
	S. COMMERCIAL BUSINESS.....	94

10.02 DEFINITIONS

The following definitions apply to the following terms as they appear in this chapter, the other chapters of the Commission's rules, and the Commission's statute (12 M.R.S.A., Chapter 206-A):

[REVISION NOTE: Add or revise the following definitions; new definitions will be added in alphabetical order; the numbering of all subsequent definitions will be adjusted accordingly.]

...

##. Agricultural Processing Facility:

A facility or operation, and associated site improvements or buildings, that is located on land where farm products are produced, and that processes raw farm products to increase their value, to reduce bulk, or to enable efficient transportation for sale or further processing. Agricultural processing facilities may include temporary or permanent structures, and may include worker housing. Agricultural processing facilities do not include agricultural management activities. The term is further defined as small-scale and large-scale agricultural processing facilities as follows:

Small-scale Agricultural Processing Facility: An agricultural processing facility where all the raw farm products used in the processing are grown onsite or on lands owned or leased by the operator, and that utilizes no more than 2,500 square feet of gross floor area.

Large-scale Agricultural Processing Facility: An agricultural processing facility where a majority of the raw farm products used in the processing are grown onsite or on lands owned or leased by the operator, and that utilizes up to 5,000 square feet of gross floor area.

...

##. Agritourism:

An activity that:

- a.** Draws people to a working farm for one or both of the following:
 - (1) The purchase of farm products, provided that the majority of items for sale are from products that are principally produced on the farm where the business is located; or
 - (2) Educational, recreational, or social events that feature agricultural activities or farm products;
- b.** Is clearly secondary to the principal use of the property for agricultural management activities; and
- c.** Is operated by the farm owner or lessee.

The term is further defined as small-scale, medium-scale and large-scale:

Small-scale Agritourism: Agritourism that utilizes no more than 2,500 square feet of floor area at any given time in all principal and accessory buildings and employs no more than two people who work primarily in agritourism.

Medium-scale Agritourism: Agritourism that utilizes no more than 5,000 square feet of floor area at any given time in all principal and accessory buildings and employs no more than five people who work primarily in agritourism.

Large-scale Agritourism: Agritourism that does not meet the definition of small- or medium-scale agritourism. Also, agritourism that draws more than 100 people (including visitors and support staff) to more than three distinct events per year.

...

##. 145. — Common Open Space:

“Common open space” or “open space” means Any parcel or area of land essentially unimproved and set aside, dedicated, designated, or reserved for the public use, for the common use of owners and occupants of land adjoining or neighboring such open space, or for purposes intended to preserve important natural features of the site.

...

##. Farm product:

“Farm product” means those plants and animals and their products that are useful to humans and includes, but is not limited to, forages and sod crops, grains and food crops, dairy and dairy products, poultry and poultry products, bees and bee products, livestock and livestock products, manure and compost, fish and fish products and fruits, berries, vegetables, flowers, seeds, grasses, Christmas trees, or any other plant, animal, or plant or animal product that supply humans with food, feed, fiber, or fur.

...

##. General Management Subdivision: See Subdivision, General Management.

...

##. High-density Subdivision: See Subdivision Density.

...

##. Hillside:

An area of two or more contiguous acres having a sustained slope of 15 percent or greater.

...

##. 94. — Home Occupation-based Business:

A business, profession, occupation, or trade undertaken for gain or profit which: a) is clearly incidental and secondary to the use of the dwelling unit for residential purposes; b) is wholly carried on within a dwelling unit or other structure accessory to a dwelling unit; c) is carried on by a resident of the dwelling unit; and d) utilizes no more than 50 percent of all floor area of the dwelling unit or of the total combined floor area of the dwelling unit and accessory structure(s) in which the occupation is carried out. The term is further defined as minor and major home ~~occupation-based business~~ as follows:

Minor ~~h~~Home-occupation-based Business: A home-~~occupation-based business~~ not noticeable from the exterior of a building, except as herein allowed, that utilizes no more than 50 percent of all floor area of all principal and accessory structures up to a limit of ~~1,000~~1,500 square feet.

Major ~~h~~Home-occupation-based Business: A home-~~occupation-based business~~ not noticeable from the exterior of a building, except as herein allowed, that utilizes no more than 50 percent of all floor area of all principal and accessory buildings up to a limit of ~~1,500~~2,500 square feet.

[REVISION NOTE: *The change in defined term from home occupation to home-based business has been included and illustrated for all sections of the rule included in this package. All remaining instances of the term home occupation in Chapter 10 have also been revised, but are not illustrated in this packet. We recommend conducting a word search for “home occupation” and “home occupations”.]*

...

##. Low-density Subdivision: See Subdivision Density.

...

##. Major Water Bodies:

Major water bodies are bodies of standing water greater than 10 acres in size and major flowing waters.

...

##. Maple Sugar Processing Subdivision: See Subdivision, Maple Sugar Processing.

...

##. Moderate-density Subdivision: See Subdivision Density.

...

##. Natural Resource Extraction:

The commercial development or removal of natural resources including, but not limited to, mineral deposits and water, but excluding Level A and Level B mineral exploration activities, metallic mineral mining, wind energy development, and solar energy development. Natural resource extraction also does not include timber harvesting.

...

##. Natural Resource Processing Facility:

A facility or operation, and associated site improvements or buildings, that processes forest products to reduce bulk or otherwise enable efficient transportation for sale or further processing. Natural resource processing facilities may include temporary or permanent structures, or mobile processing equipment, and may include transient accommodations for a reasonable number of employees, but shall not include other types of accommodations, dwelling units, or residential use. Natural resource processing facilities do not include forest management activities, permanent worker housing, or further processing beyond what is necessary to do close to the source of the raw materials.

...

##. Net Developable Land:

“Net developable land” is the area of a parcel, as determined by the Commission, that is suitable for development. The area shall be calculated by subtracting the following from the total acreage of the parcel:

- a. Portions of the parcel subject to rights-of-way and easements for vehicular traffic; and
- b. Unbuildable land. Unbuildable land includes, but is not limited to, land that has a low or very low soil potential rating, or that contains sensitive areas such as slopes exceeding 20 percent, non-tidal water bodies, or wetlands. Regarding soil suitability, the Commission may

determine land is buildable if the plan for development satisfies the provisions of Section 10.25,G,2 for low or very low soil potential ratings.

...

##. Net Developable Shorefront:

For the purposes of this section, “Net developable shoreline” is land that:

- a. Meets the minimum water body setback requirements of Section 10.26,D and is within 250 feet of a non-tidal water body or coastal wetland;
- b. Does not have a low or very low soil potential rating; and
- c. Contains or is part of a land area at least 40,000 contiguous square feet in size of which no more than 20 percent is comprised of sensitive areas including, but not limited to, slopes exceeding 20 percent, non-tidal water bodies or wetlands.

Regarding soil suitability, the Commission may determine the shoreline is developable if the plan for the development satisfies the provisions of Section 10.25,G,2 for low or very low soil potential ratings.

...

[The conceptual definition for public view points was not carried forward into rule language. Instead, the concept was addressed directly in the standards for hillside development.]

...

##. Permanent Trail:

A trail that is land-based, owned in-fee, and managed and maintained by one or more organizations or public entities for the purpose of allowing public access. The location of a permanent trail may vary slightly, but generally remains in the same physical location within a designated corridor. A trail that is established by lease, license, or informal agreement with a landowner who is not maintaining the trail is not a permanent trail.

...

##. Primary Location:

Area identified within the primary location according to Section 10.08-A,C.

...

##. Recreation Day Use Facility:

Site improvements, a building, part of a building, or a group of buildings, not part of a recreational lodging facility, where recreational activities are offered to the public.

...

##. Recreation Supply Facility:

A facility or operation that provides equipment rental, guide services, or pre-prepared food to the recreating public at or near the location of the recreational activity. Recreation supply facilities may be located in a permanent or temporary structure, or in a parked vehicle or trailer, and excludes restaurants, general stores, repair shops, and other more intensive uses.

...

##. Recreation-based Subdivision: See Subdivision.

...

##. Ridgeline:

A line formed by the meeting of steeply sloping surfaces of land that drop away from each other. Ridgeline includes existing vegetation growing on the sloping surfaces.

[The conceptual standards reference to significant ridgeline has been removed as the term is not used in the draft rule.]

...

##. Secondary Location:

Area identified within the secondary location according to Section 10.08-A,C.

...

##. Shoreland with Heavy Development:

Shoreland of lakes that have more than one development unit per 10 acres of lake surface area, or more than one development unit per 400 feet of shore frontage, taken as an average around the entire lake shore. For this purpose, development units within 700 feet of the normal high-water mark of the lake are counted in determining whether the density status has been met.

...

##206. Subdivision:

Except as provided in 12 M.R.S.A. §682-B, “subdivision” means a division of an existing parcel of land into 3 or more parcels or lots within any five-year period, whether this division is accomplished by platting of the land for immediate or future sale, by sale of land or by leasing. The term “subdivision” also includes the division, placement or construction of a structure or structures on a tract or parcel of land resulting in 3 or more dwelling units within a five-year period. 12 M.R.S.A. §682(2-A).

Refer to Section 10.25,Q, “Subdivision and Lot Creation” for additional criteria on types of lots that are included or are exempt from this definition.

~~**Level 1 subdivision:** Any subdivision that does not meet the criteria of a level 2 subdivision is considered a level 1 subdivision.~~

~~**Level 2 subdivision:** Any subdivision that meets the criteria of Section 10.25,Q,2 is considered a level 2 subdivision.~~

...

##. Subdivision Density:

Low-density Subdivision: A residential subdivision with a minimum lot size of 11 acres, maximum lot size of 25 acres, and an average lot size of greater than 15 acres.

Moderate-density Subdivision: A residential subdivision with a minimum lot size of one acre, maximum lot size of 10 acres, and an average lot size between two and four acres.

High-density Subdivision: A residential subdivision with a minimum lot size of 20,000 square feet, maximum lot size of three acres, and an average lot size of less than two acres.

...

##. Subdivision, General Management:

A general management subdivision is a residential subdivision that meets the criteria of Section 10.25.Q.

...

##. Subdivision, Maple Sugar Processing:

A maple sugar processing subdivision is a subdivision that meets the criteria of Section 10.25.Q.

...

##. Subdivision, Recreation-based:

A recreation-based subdivision is a moderate-density, residential subdivision designed to be integrated with a recreational resource, such as a lake or publicly accessible point of access to a permanent trail. Recreation-based subdivisions have sufficient connection to the recreational resource to facilitate its use, and include provisions for safe enforceable right of access to the resource by lot owners or lessees in the subdivision.

##. Trailhead:

An outdoor space:

- a. Designated by an entity responsible for administering or maintaining a permanent trail and that is developed to serve as an access point to the trail;
- b. That is publicly accessible, and which provides adequate parking in an off-road lot for the use of the trail; and
- c. That is not just the junction of two or more trails or the undeveloped junction of a trail and a road.

10.08 CRITERIA FOR ADOPTION OR AMENDMENT OF LAND USE DISTRICT BOUNDARIES

A. GENERAL CRITERIA

“Pursuant to 12 M.R.S. §685-A(8-A), a land use district boundary may not be adopted or amended unless there is substantial evidence that:

1. The proposed land use district is consistent with the standards for district boundaries in effect at the time, the comprehensive land use plan and the purpose, intent and provisions of 12 M.R.S., chapter 206-A~~this chapter~~; and
2. The proposed land use district has no undue adverse impact on existing uses or resources or a new district designation is more appropriate for the protection and management of existing uses and resources within the affected area.”~~12 M.R.S. §685-A(8-A)~~

B. LOCATION OF DEVELOPMENT

1. **Applicability.** This subsection, Section 10.08,B, applies to the adoption and amendment of the following development subdistricts, except as provided in Section 10.08,B,3: Commercial and Industrial Development (D-CI), General Development (D-GN), Low-density Development (D-LD), and Residential Development (D-RS). Criteria specific to the location of all other development subdistricts are contained in the individual subdistrict listings in Sub-Chapter II.
2. **Location of Development Criteria.** In order to satisfy the general criteria contained in 12 M.R.S. §685-A(8-A) and restated in Section 10.08,A, a petitioner proposing the adoption or amendment of a development subdistrict must demonstrate, among other things, that the proposed subdistrict is consistent with the Comprehensive Land Use Plan (CLUP). The CLUP addresses the location of development through multiple goals and policies that in aggregate are embodied in the adjacency principle. To demonstrate the adoption or amendment of a development subdistrict is consistent with the portions of the CLUP that address the location of development, the Commission must find:
 - a. **Emergency Services.** The county, a nearby municipality, or other service provider is willing to and will be able to provide fire and ambulance services, for the land uses allowed in the proposed subdistrict. For the purposes of this criterion, Lifeflight is not considered an ambulance service. The Commission may waive this requirement for areas proposed as D-RS subdistrict that are either outside the primary and secondary locations, or are within the primary location but located on a Management Class 3 lake more than one mile from a public road, provided the petitioner demonstrates notice of the absence of emergency services will be provided to all subsequent owners of property within the area proposed for rezoning.
 - b. **Compatibility.** The land uses allowed in the proposed subdistrict shall be compatible with other uses and resources, and reduce or minimize land use conflicts.

- c. Character.** The land uses allowed in the proposed subdistrict shall not unreasonably alter the character of the area.
- d. Area for Development.** Proposed D-CI and D-GN subdistricts shall be located in a primary location, and proposed D-RS and D-LD subdistricts shall be located in a primary or secondary location, unless the proposed subdistrict is a D-CI subdistrict intended to accommodate a land use that requires access to three-phase power as provided in Section 10.08-A,D,3, or a D-RS subdistrict intended to accommodate a recreation-based subdivision as provided in Section 10.08-A,D,2.
- e. Access to Development.** The land within the proposed subdistrict shall be accessible from a public road by a legal right of access in accordance with Section 10.08-A,E. This criterion does not apply to proposed D-RS subdistricts intended to accommodate the creation of residential lots to be leased on an annual basis for fair market value consideration, and where both the lessor and lessee have the legal right to not renew the lease, subject to applicable statutory notice requirements, regardless of cause.
- 3. Expansion of Commercial Facilities in Pre-existing Development Subdistricts.** Section 10.08.B does not apply to expansion of existing D-CI, D-RB, or D-GN subdistricts approved by the Commission prior to [Insert effective date of rule change], provided that a legally existing development was in regular active use in the existing subdistrict within a two-year period immediately preceding the filing date for the re-zoning petition for expansion. This exception does not exempt expansion of pre-existing development subdistricts from the General Criteria of Section 10.08.A, which would apply to any petition for expansion of these subdistricts.

BC. AREAS ADJACENT TO LAKES

The review standards listed in Section 10.25,A must be considered in applying the above criteria to proposed changes in subdistrict boundaries adjacent to lakes.

CD. PROSPECTIVELY ZONED AREAS

1. Additional Approval Criteria:

~~In addition to meeting the requirements of Section 10.08,A,1 and 2 above, f~~For areas that have been prospectively zoned by the Commission, a petition for ~~adoption or amendment of~~ a development district boundary shall not be approved unless the petitioner demonstrates the proposal meets the requirements of Section 10.08,A and B,2,a through c, as well as that:

- a.** the requested change is needed due to circumstances that did not exist or were not anticipated during the prospective zoning process;
- b.** the new development subdistrict is either contiguous to existing development subdistricts or within areas that are suitable as new growth centers; and
- c.** the change will better achieve the goals and policies of the Comprehensive Land Use Plan, including any associated prospective zoning plans.

2. List of plantations and townships that have been prospectively zoned by the Commission:

- Adamstown Township, Oxford County
- Dallas Plantation, Franklin County
- Lincoln Plantation, Oxford County
- Magalloway Plantation, Oxford County
- Rangeley Plantation, Franklin County
- Richardsontown Township, Oxford County
- Sandy River Plantation, Franklin County
- Township C, Oxford County
- Township D, Franklin County
- Township E, Franklin County

10.08-A LOCALATIONAL FACTORS FOR ADOPTION OR AMENDMENT OF LAND USE DISTRICT BOUNDARIES

A. PURPOSE

Locating most new subdistricts for commercial activities and residential subdivisions close to existing development and public services reduces public costs; improves the economic health of existing communities; protects important habitat; and minimizes interference with natural resource based activities such as forestry, agriculture, and recreation. In some cases, land uses that must be conducted near a natural resource or are closely tied to a natural resource should be allowed to locate away from development to ensure a continued natural resource-based economy and a reasonable opportunity for residential development in select locations.

B. RURAL HUBS

The following minor civil divisions are rural hubs: Ashland, Bethel, Bingham, Calais, Caribou, Carrabassett Valley, Dover-Foxcroft, Eastport, Ellsworth, Farmington, Fort Kent, Gouldsboro, Greenville, Guilford, Houlton, Island Falls, Jackman, Jonesport, Kingfield, Lincoln, Lubec, Machias, Madawaska, Medway, Milbridge, Millinocket, Milo, Oakfield, Old Town, Patten, Presque Isle, Princeton, Rangeley, Rockwood Strip T1 R1 NBKP, Rumford, Saint Agatha, Unity, Van Buren, and Waterford.

C. PRIMARY AND SECONDARY LOCATIONS

1. Primary Location. Each of the following areas within the unorganized and deorganized areas of the State, is within the primary location:
 - a. Land within seven miles of the boundary of a rural hub that also is within one mile of a public road;
 - b. Land within a township listed in Section 10.08-A,C,4, town, plantation, or rural hub that also is within one mile of a public road; and
 - c. Land within 700 feet of a Management Class 3 lake where the lake has no existing or potential water quality problems and soils are suitable for development.

2. **Secondary Location.** The following area within the unorganized and deorganized areas of the State is within the secondary location:
 - a. Land in a rural hub, or in a town, township, or plantation bordering a rural hub, that also is within three miles of a public road and outside the primary location;
3. **Measuring Distance.** Measurements from a rural hub are made in a straight line from the boundary of the minor civil division. Measurements from a public road are made in a straight line from the edge of the traveled surface. Neither straight line measurement is made across water bodies, major flowing waters, or interstate highways, except as follows. Measurements are made across water bodies, major flowing waters, or interstate highways when the resulting primary or secondary location on the other side of such features is either directly connected by a public road that crosses the feature, or contiguous with the respective primary or secondary location.
4. **Area Within Primary Location.** Land within one mile of a public road within the following townships is within the primary location: Benedicta Twp., Blanchard Twp., E Twp., East Moxie Twp., Greenfield Twp., Kingman Twp., Madrid Twp., Marion Twp., Moxie Gore Twp., Oxbow North Twp., Prentiss Twp., Silver Ridge Twp., T9 R5 WELS, and T9 SD BPP.
5. **Area Outside Primary and Secondary Locations.** Notwithstanding any provision to the contrary, land within the Prospective Zoning Plan for the Rangeley Lakes Region shall not be eligible for inclusion in the primary or secondary locations. Additionally, land within the following townships shall not be eligible for inclusion within the primary or secondary location under Section 10.08-A,C,1,a or 2,a, except that land around a Management Class 3 lake is included pursuant to Section 10.08-A,C,1,c: Argyle Twp., Andover West Surplus Twp., Carrying Place Town Twp., Dead River Twp., Elliotsville Twp., Johnson Mountain Twp., Lexington Twp., Mount Abram Twp., North Academy Grant Twp., Pierce Pond Twp., Redington Twp., T1 R5 WELS, T1 R6 WELS, T3 R3 WELS, T3 R4 BKP WKR, T3 R7 WELS, T4 R7 WELS, T7 SD BPP, and Upper Molunkus Twp.

D. LOCATION-DEPENDENT ACTIVITIES

1. **Resource-dependent Commercial Activity.** Subdistricts for resource dependent commercial activities may be located in areas described in the subdistrict description in Section 10.21,K.
2. **Recreation-based Residential Activity.** D-RS subdistricts for recreation-based subdivisions shall be located within one-half mile of the following:
 - a. Management Class 4 or 5 lakes;
 - b. Management Class 7 lakes that have at least five existing dwelling units, at least one existing dwelling unit per 50 acres of surface area, and at least one existing dwelling unit per one-half mile of shoreline; or
 - c. Trailheads serving permanent trails that support motorized vehicles, non-motorized vehicles, or equestrian use, and have an appropriately-sized parking area and sufficient additional user capacity to serve users from the proposed residential use.

- 3. Three-phase Power Dependent Activity.** D-CI subdistricts for commercial or industrial facilities that require three-phase power for operation may be established in any location that is consistent with the locational criteria of Section 10.08,B,2.

E. LEGAL RIGHT OF ACCESS

When land proposed for rezoning is required to be accessible from a public road by a legal right of access, a petitioner must demonstrate a legally enforceable right to access the land by road or by water.

- 1. Road Access.** A legal right of access by road exists when the land proposed for rezoning:
- a.** Abuts a public road or is part of a larger parcel in common ownership that abuts a public road; or
 - b.** Benefits from an easement, appurtenant to the land, that provides for vehicular access.

Under either option, if the road over which legal access is provided does not exist, it must be reasonable that the road could be built. Additionally, the access must be sufficient to support the land uses allowed in the proposed subdistrict, including any associated construction, maintenance and use of structures, and decommissioning. An easement providing for vehicular access may contain reasonable provisions to minimize the burden on the underlying fee owner, such as provisions that: allow for closure of the road during spring mud conditions; allow for closure during the winter to avoid snow plowing, provided pedestrian and snowmobile access is allowed; and establish road standards and reasonable maintenance expectations and responsibilities.

- 2. Access by Water.** An enforceable right of access by water exists when the land proposed for rezoning reasonably may be accessed by boat from a public or private boat launch, provided the boat launch is accessible by road access consistent with Section 10.08-A,E,1 above. Additionally provided, when the subdivision land will be accessed by boat from a private boat launch, all lot owners will have a legally enforceable right to use and ensure continued maintenance of the boat launch.

[REVISION NOTE: All of Section 10.17 has been repealed and replaced.]

10.17 EXPIRATION OF PERMIT

If a development or use requiring a permit is not substantially started within the time period specified in the permit conditions of approval, or is not substantially completed within the time period specified, the permit lapses. Further development or activity, including, in the case of a subdivision, offering lots for sale or lease, is prohibited thereafter unless and until a new permit is granted, or the Commission otherwise specifically authorizes.

A. EXPIRATION DATE

1. Unless otherwise authorized by the Commission in the permit conditions of approval, development or uses authorized by a permit must be substantially started within two years of the effective date of the permit and substantially completed within 5 years of the effective date of the permit, except as provided in Sections 10.17,A,2 through 5 below:
2. **Permits Issued Prior to July 1, 2003.** With respect to permits issued prior to July 1, 2003, that do not specify any expiration date, that date shall be October 1, 2004.
3. **Special Flood Hazard Areas.** In special flood hazard areas, development or uses authorized by a permit must be substantially started within 180 days of the effective date of the permit and substantially completed within five years of the effective date of the permit.
4. **Subdivisions.** In the case of approved subdivisions, the proposed development must be substantially started within four years of the effective date of the permit and substantially completed within seven years of the effective date of the permit.

Upon determining that a subdivision's approval has expired under this paragraph, the Commission must have a notice placed in the appropriate Registry of Deeds to that effect.

5. **Multi-phased Projects.** For multi-phased projects or project expansions that are permitted separately, final Commission approval of each phase or expansion must be treated as a separate permit for the purposes of determining "substantial start" and "substantial completion" for each phase or expansion.

B. SUBSTANTIAL START

"Substantial start" means:

1. Except as provided in Sections 10.17,B,2 through 3, the first placement of a permanent structure on a site, such as the pouring of a slab or footings, the installation of piles, the construction of columns, or any work beyond the stage of excavation. Permanent structures include buildings that are custom-built, manufactured, or modular; and mobile homes.

A substantial start is not made by land preparation, such as clearing, grading, or filling; the installation of streets or walkways; excavation for a basement, footings, piers, or foundations or the erection of temporary forms; or installation on the property of accessory buildings, such as garages or sheds not occupied as dwelling units or not part of the main structure.

2. For substantial improvements in special flood hazard areas, the actual start of construction means the first alteration of any wall, ceiling, floor, or other structural part of a building, whether or not that alteration affects the external dimensions of the building.
3. For approved subdivisions:
 - a. The approved subdivision plat has been recorded at the appropriate County Registry of Deeds; and
 - b. The completion of a portion of the permitted improvements, which represents no less than 10 percent of the costs of the permitted improvements within the subdivision, in accordance with the approved plan. Subdivision improvements may include internal subdivision roads, docks and boat launches, structural stormwater and erosion control practices, utilities, and other similar infrastructure. A substantial start for subdivisions is not made by land preparation, such as clearing, grading, or filling.

C. SUBSTANTIAL COMPLETION

“Substantial completion” means:

1. Except as provided in Section 10.17,C,2:
 - a. Approved construction has been completed to the point where normal functioning, use, or occupancy of the development can occur without concern for general health, safety, and welfare of the occupant or the general public; and
 - b. Completion of and full compliance with all permit conditions of approval, except those requiring ongoing compliance beyond the expiration date of the permit such as annual water quality monitoring or maintenance of structural stormwater and erosion control best management practices.
2. For approved subdivisions, the Commission has issued a certificate of compliance pursuant to Section 10.25,Q,5,c,(1) or (2). In cases where only a portion of the development has been completed and a partial certificate of compliance has been issued for the project as of the expiration date of the permit, substantial completion shall only apply to that portion of the project for which the partial certificate of compliance was issued. Approval for the remainder of the project authorized by the permit shall lapse unless a permit renewal has been issued pursuant to Section 10.17,D.

D. PERMIT RENEWALS

An application to renew a permit must be submitted prior to the expiration of the permit.

1. If an application to renew a permit is not timely submitted prior to expiration of the permit, or is timely submitted but not accepted as complete for processing in accordance with Chapter 4, Section 4.03,(8),(a), the permit lapses.
2. If the renewal application is timely submitted prior to the expiration of the permit and accepted as complete for processing, the terms and conditions of the existing permit remain in effect until the final Commission decision on the renewal application.
3. The Commission may renew a permit and extend either or both the deadline for a substantial start or for substantial completion by up to two years. Renewal applications to extend the expiration date for projects that have not been substantially started are subject to the procedural and substantive requirements in effect at the time of acceptance of the renewal application.

10.21 DEVELOPMENT SUBDISTRICTS

Pursuant to [12 M.R.S. §685-A](#) and consistent with the Commission's Comprehensive Land Use Plan, the following development subdistricts are established:

A. COMMERCIAL INDUSTRIAL DEVELOPMENT SUBDISTRICT (D-CI)

1. Purpose

The purpose of the D-CI subdistrict is to allow for commercial, industrial and other development that is not compatible with residential uses. Designation of commercial, industrial and other similar areas of intensive development as D-CI subdistricts will ensure that other land values and community standards are not adversely affected, and will provide for the location and continued functioning of important commercial and industrial facilities.

2. Description

The D-CI subdistrict shall include:

- a. Areas having existing commercial, industrial or other buildings, structures or uses, that are incompatible with residential uses, including the following:
 - (1) Areas of 2 or more acres devoted to intensive, commercial and/or industrial buildings, structures or uses; except that saw mills and chipping mills and structures devoted to composting of septage, sludge or other residuals affecting an area of 5 acres or less in size shall not be included in this subdistrict unless such areas are part of a larger pattern of development which otherwise meets the criteria for [redistricting to this subdistrict](#)~~D-CI zoning~~;
 - ~~(2) Areas of 2 or more acres devoted to the commercial extraction of minerals including, but not limited to, borrow pits for sand, fill or gravel, peat extraction and the mining of metals and rock;~~
 - ~~(3)~~(2) Areas of 2 or more acres devoted to refuse disposal including, but not limited to, dumps and sanitary land fill operations;
 - ~~(4)~~(3) Areas used for aircraft landing and takeoff and the storage and maintenance of aircraft;
 - ~~(5)~~(4) Areas of 2 or more acres used for the storage of junk, oil products, or industrial or commercial materials or inventory;
 - ~~(6) Areas of 1 or more acres devoted to operation of a grid-scale solar energy generation facility;~~
 - ~~(7)~~(5) Areas of 2 or more acres devoted to buildings, structures or uses similar to those listed in Section 10.21,A,2,a,(1) through ~~(4)~~(5) that are incompatible with residential uses; and
 - ~~(8)~~(6) Areas where one or more existing principal buildings exist within a 500 foot radius and where the gross floor area of all such principal building(s) is more than 8,000 square feet provided the uses thereof are incompatible with residential uses.

The designated D-CI subdistrict boundary shall include all those areas described in Section 10.21,A,2,a,(1) through (76) above, as well as adjoining areas directly related to, and necessary for, the conduct of those activities.

- b.** Areas the Commission determines meet the criteria for redistricting to this subdistrict, pursuant to Section 10.08, are proposed for development that is consistent with the purposes of this subdistrict, and are generally suitable for the development activities proposed.

- ~~(1) Mineral Extraction. Where such an area is not adjacent to a D-CI subdistrict and redistricted for the purpose of allowing for commercial mineral extraction, once such operations are complete the D-CI subdistrict designation shall automatically revert to the prior subdistrict designation.~~
- ~~(2) Grid scale solar energy facility. A person petitioning the Commission to establish a D-CI subdistrict for the purpose of allowing a grid scale solar energy facility, establishes a presumption that the area proposed for redistricting is consistent with the portions of the Comprehensive Land Use Plan related to the location of development, upon demonstrating the area to be redistricted is:~~
- ~~(a) Accessible from a public road by a legal right of access that would allow construction, operation, maintenance, and decommissioning of the facility;~~
- ~~(b) Located within one mile of the proposed point of interconnection with the existing transmission grid and no other area suitable for the facility and closer to a point of interconnection is reasonably available to the petitioner, unless the petitioner demonstrates that redistricting an area no more than three miles from the point of interconnection would result in a project location that is compatible with current land uses and does not expand the pattern of development beyond already developed areas; and~~
- ~~(c) Located a reasonable distance from emergency service providers to allow for adequate response in the event of an emergency.~~

~~If no presumption is established, the proposed redistricting will be reviewed for consistency with the portions of the Comprehensive Land Use Plan related to the location of development in a manner similar to other commercial and industrial uses.~~

~~Where an area is redistricted for the purpose of developing a grid scale solar energy facility, the area shall not provide the basis for subsequent redistricting of the area to another development subdistrict, nor shall the area serve to satisfy those requirements for redistricting surrounding areas to development subdistricts pursuant to Section 10.08. Additionally, the D-CI subdistrict shall automatically revert to the prior subdistrict designation if the facility is not developed within a reasonable period or, if built, upon decommissioning of the facility.~~

3. Land Uses

a. Uses Allowed Without a Permit

The following uses shall be allowed without a permit from the Commission within D-CI subdistricts.

- (1) Docking structures: Temporary docking structures for non-commercial use;

- (2) Emergency operations conducted for the public health, safety or general welfare, such as resource protection, law enforcement, and search and rescue operations;
- (3) Forest management activities, except for timber harvesting;
- (4) Motorized vehicular traffic on roads and trails, and snowmobiling;
- (5) Primitive recreational uses, including, fishing, hiking, wildlife study and photography, wild crop harvesting, horseback riding, tent and shelter camping, canoe portaging, cross country skiing, and snowshoeing but not including hunting and trapping;
- (6) Surveying and other resource analysis; and
- (7) Wildlife and fishery management practices.

b. Uses Allowed Without a Permit Subject to Standards

The following uses shall be allowed without a permit from the Commission within D-CI subdistricts subject to the applicable requirements set forth in Sub-Chapter III.

- (1) Accessory structures: New or expanded structures accessory to, and located on the same lot as, any legally existing principal structures and uses, provided that:
 - (a) The accessory structure is located in a subdistrict that allows the principal use; and
 - (b) The total square footage of the footprint of all new or expanded accessory structures built on a lot within a two-~~(2)~~-year period is not more than 750 square feet and all other requirements and standards of Section 10.27,P are met;
- (2) Agricultural activities: Agricultural management activities;

[REVISION NOTE: This rulemaking groups certain uses associated with agricultural activities in the use listings section of each subdistrict where they appear, as illustrated in Section 10.21,3,B,(2). This document illustrates this type of formatting change in subdistricts where other changes are also proposed. However, the intent is to re-format this use listing in each applicable subdistrict.]

- (3) Constructed ponds: Creation, alteration or maintenance of constructed ponds of less than 4,300 square feet in size which are not fed or drained by flowing waters, provided they are constructed and maintained in conformance with the vegetative buffer strip requirements of Section 10.27,C,2,a;
- (4) Filling and grading;
- (5) Hand-carry launches: Commercial and private hand-carry launches;
- (6) Mineral exploration activities: Level A and B mineral exploration activities, excluding associated access ways;
- (7) Road projects: Level A road projects;
- (8) Service drops;
- (9) Signs;
- (10) Utility services: Buildings or structures necessary for the furnishing of public utility services, provided they contain not more than 500 square feet of floor area, are less than 20 feet in height, and are not supplied with water; and
- (11) Water crossings of minor flowing waters.

c. Uses Requiring a Permit

The following uses, and related accessory structures, may be allowed within D-CI subdistricts upon issuance of a permit from the Commission pursuant to 12 M.R.S. ~~A~~: §685-B, subject to the applicable requirements set forth in Sub-Chapter III and, where within 500 feet of Management Class 2 lakes or within 250 feet of Management Class 4 ~~and~~

~~Management Class 5~~ lakes, subject to the applicable requirements of Section 10.21,A,3,f,~~g~~ and ~~hg~~ below:

- (1) Agricultural activities: Agricultural management activities which are not in conformance with the standards of Section 10.27,A;
- (2) Commercial and industrial: Any commercial and industrial uses, except natural resource extraction;
- (3) Constructed ponds: Creation, alteration or maintenance of constructed ponds 4,300 square feet or greater in size which are not fed or drained by flowing waters, or of such ponds less than 4,300 square feet in size which are not in conformance with the vegetative buffer strip requirements of Section 10.27,C,2,a;
- (4) Draining or altering the water table or water level for other than mineral extraction;
- (5) Driveways;
- (6) Filling and grading, which is not in conformance with the standards of Section 10.27,F;
- (7) Hand-carry launches addressed in Section 10.21,A,3,b which are not in conformance with the standards of Section 10.27,L;
- (8) Land application of septage, sludge and other residuals, and related storage and composting activities and structures;
- (9) Land management roads;
- (10) Metallic mineral mining activities: Tier one advanced exploration;
- (11) Mineral exploration activities: Access ways for Level A mineral exploration activities, Level A mineral exploration activities which are not in conformance with the standards of Section 10.27,C, and Level B mineral exploration activities;
- ~~(12) Mineral extraction including the use of mineral processing equipment and associated structural development;~~
- ~~(13) Peat extraction, including the use of any related processing equipment;~~
- ~~(14)~~(12) Recreational lodging facilities:
 - (a) Level C;
 - (b) Level C – Expanded Access;
 - (c) Level D;
 - (d) Level D – Expanded Access; and
 - (e) Level E;
- ~~(15)~~(13) Road projects: Level B and C road projects, except for water crossings as provided for in Section 10.21,A,3,b;
- ~~(16)~~(14) Shoreland alterations, excluding water crossings of minor flowing waters, trailered ramps and hand-carry launches;
- ~~(17)~~(15) Signs which are not in conformance with the standards of Section 10.27,J;
- ~~(18)~~(16) Solar energy generation facility: grid-scale solar energy generation facility not located on soils recognized by the U.S. Department of Agriculture as prime farmland soils;
- ~~(19)~~(17) Solid waste disposal;
- ~~(20)~~(18) Subdivisions: Commercial and industrial subdivisions for uses permitted in this subdistrict;
- ~~(21)~~(19) Timber harvesting;
- ~~(22)~~(20) Trailered ramps: Commercial and private trailered ramps;
- ~~(23)~~(21) Utility facilities, excluding service drops, and wire and pipe line extensions which do not meet the definition of service drops;
- ~~(24)~~(22) Water access ways;

- ~~(25)~~(23) Water crossings of minor flowing waters which are not in conformance with the standards of Section 10.27,D and water crossings of bodies of standing water and of major flowing waters;
- ~~(26)~~(24) Water impoundments;
- ~~(27)~~(25) Wind projects: Community-based offshore wind energy projects, as defined in 12 M.R.S.~~A~~ §682(19); offshore wind power projects, as defined in 38 M.R.S.~~A~~ §480-B(6A); and wind energy development in accordance with 35-A M.R.S.~~A~~, Chapter 34-A in areas identified in Appendix F herein;
- ~~(28)~~(26) Other structures, uses or services that are essential to the uses listed in Section 10.21,A,3,a through c; and
- ~~(29)~~(27) Other structures, uses, or services which the Commission determines are consistent with the purposes of this subdistrict and of the Comprehensive Land Use Plan and are not detrimental to the resources and uses they protect, and are of similar type, scale and intensity as other allowed uses.

d. Special Exceptions

The following uses, and related accessory structures, may be allowed within D-CI subdistricts as special exceptions upon issuance of a permit from the Commission pursuant to 12 M.R.S.~~A~~ §685-A(10), and subject to the applicable requirements set forth in Sub-Chapter III, provided that the applicant shows by substantial evidence that (a) upon decommissioning of the facility all structures and materials associated with the development will be removed, and affected soils will be replaced or restored to a state such that they could be utilized for active agricultural production; and (b) such other conditions are met that the Commission may reasonably impose in accordance with the policies of the Comprehensive Land Use Plan:

- (1) Solar energy generation facility: grid-scale solar energy generation facility located on soils recognized by the U.S. Department of Agriculture as prime farmland soils.

e. Prohibited Uses

All uses not expressly allowed, with or without a permit, shall be prohibited in D-CI subdistricts.

f. Water Quality Limiting Lakes

For information relative to water quality limiting lakes see Section 10.23,E,3,g.

~~g. Management Class 2 Lakes (Accessible, Undeveloped, High Value Lakes) as shown on the Commission's Land Use Guidance Maps.~~

~~With respect to single family dwelling proposals within 500 feet of the normal high water mark of Management Class 2 Lakes, the Commission will require an average density per landownership of no more than one dwelling unit per shore mile.~~

h.g. Management Class 4 Lakes (High Value, Developed Lakes) as shown on the Commission's Land Use Guidance Maps.

Within 250 feet of the normal high water mark of Management Class 4 lakes, the Commission will:

- (1) With respect to proposed subdivisions and commercial and industrial structures, require the applicant to indicate future plans for other undeveloped shorelands on the lake that are owned by the applicant. Such indication of future plans shall address, at a minimum, the next 10 years, and shall include, but not be limited to, the following information regarding the applicant's land ownership on the lake:
- (a) area and shoreline length;
 - (b) potential suitability for development based on an appropriate inventory of soils and significant natural and cultural resources; and
 - (c) development proposed or anticipated, if any.

This indication of future plans shall be considered part of the proposal. Therefore, changes in such plans, evidenced by a development proposal not included in the description of future plans, will require approval of an application to amend the original proposal in which these future plans were indicated.

~~(2) With respect to subdivision proposals, require cluster developments which meet the requirements of Section 10.25,R.~~

~~i. **Management Class 5 Lakes** (Heavily Developed Lakes) as shown on the Commission's Land Use Guidance Maps.~~

~~With respect to subdivision proposals within 250 feet of Management Class 5 lakes, the Commission will require cluster developments which meet the requirements of Section 10.25,R.~~

C. GENERAL DEVELOPMENT SUBDISTRICT (D-GN)

...

3. Land Uses

...

b. Uses Allowed Without a Permit Subject to Standards

...

- (3) Commercial: Recreation supply facilities that do not involve structural development, are not within one-quarter mile of Management Class 1 or Management Class 2 lakes, and not within one-half mile of Management Class 6 lakes, and that are in conformance with the requirements for such activities in Section 10.27,S;

[Renumber all subsequent use listings accordingly.]

c. Uses Requiring a Permit

The following uses, and related accessory structures, may be allowed within D-GN subdistricts upon issuance of a permit from the Commission pursuant to 12 M.R.S.A. §685-B, subject to the applicable requirements set forth in Sub-Chapter III and, where within 500 feet of Management Class 2 lakes or within 250 feet of Management Class 4 ~~and Management Class 5~~ lakes, subject to the applicable requirements of Section 10.21,C,3,g, ~~and h and i~~¹ below:

- (1) Agricultural activities: Agricultural management activities which are not in conformance with the standards of Section 10.27,A;
- (2) Campsites;
- (3) Campsites, Residential;
- (4) Cemeteries, and family burying grounds in accordance with 13 M.R.S.A. §1142;
- (5) Commercial and industrial:
 - (a) Facilities having not more than 2,500 square feet of gross floor area including facilities offering food and beverages prepared on the premises, retail stores and services, and laundromats but excluding auto service stations or repair garages and uses which may create a nuisance or unsafe or unhealthy conditions or are otherwise incompatible with residential uses;
 - (b) Recreation supply facilities that do not involve structural development, are not within one-quarter mile of Management Class 1 or Management Class 2 lakes, and not within one-half mile of Management Class 6 lakes, and that are not in conformance with the requirements for such activities in Section 10.27,S; and

¹ **[Explanation: This proposed change would also be carried out in additional development subdistricts where provisions related to lake management classifications and clustering of development are included at the end of the section. For the purposes of this document, this proposed change is demonstrated in the D-CI, D-GN, D-RF, and D-RS subdistricts. Cluster subdivisions and their location are addressed in Section 10.25,Q.]**

- (c) Recreation supply facilities that may involve structural development and are not within one-quarter mile of Management Class 1 or Management Class 2 lakes, and not within one-half mile of Management Class 6 lakes;
- (6) Constructed ponds: Creation, alteration or maintenance of constructed ponds 4,300 square feet or greater in size which are not fed or drained by flowing waters, or of such ponds less than 4,300 square feet in size which are not in conformance with the vegetative buffer strip requirements of Section 10.27,C,2,a;
- (7) Draining, dredging, or alteration of the water table or water level for other than mineral extraction;
- (8) Driveways associated with non-residential uses; driveways associated with residential uses which are not in conformance with the standards of Section 10.27,H;
- (9) Filling and grading which is not in conformance with the standards of Section 10.27,F;
- (10) Hand-carry launches: Private hand-carry launches and hand-carry launches addressed in Section 10.21,C,3,b which are not in conformance with the standards of Section 10.27,L;
- (11) Home ~~occupations-based businesses~~: Major home ~~occupations-based businesses~~;

[REVISION NOTE: This rulemaking changes the term “home occupation” to “home-based business,” as illustrated in Section 10.21,3,B,(2). This document illustrates this type of formatting change in subdistricts where other changes are also proposed. However, the intent is to make this change throughout Chapter 10, Land Use Districts and Standards.]

- (12) Land management roads;
- (13) Mineral exploration activities: Access ways for Level A mineral exploration activities, Level A mineral exploration activities which are not in conformance with the standards for such activities in Section 10.27,C, and Level B mineral exploration activities;
- (14) Public and institutional: Places of worship and other religious institutions; public, private and parochial schools, public and other institutional buildings such as, but not limited to, libraries, fire stations, post offices, and day nurseries;
- (15) Recreation facilities: Public or private recreation facilities including, but not limited to, parks, playgrounds, and golf courses;
- (16) Recreational lodging facilities:
- (a) Level B;
 - (b) Level C;
 - (c) Level C – Expanded Access; and
 - (d) Level D (inside geographic allowance area);
- (17) Residential: Single family dwellings, two-family dwellings, and multi-family dwellings;
- (18) Road projects: Level B and C road projects, except for water crossings as provided for in Section 10.21,C,3,b;
- (19) Shoreland alterations, including reconstruction of permanent docking structures, and permanent on-shore structures used to secure docks and moorings; but excluding marinas, new or expanded permanent docking structures, water-access ways, trailered ramps, hand-carry launches, and water crossings of minor flowing waters;
- (20) Signs which are not in conformance with the standards of Section 10.27,J;
- (21) Subdivisions:
- (a) Residential subdivisions: High- and moderate-density subdivisions, and
 - (b) Ceommercial and industrial subdivisions ~~for uses permitted in this subdistrict~~;

[Renumber all subsequent use listings accordingly.]

...

- g. Management Class 2 Lakes** (Accessible, Undeveloped, High Value Lakes) as shown on the Commission's Land Use Guidance Maps.

With respect to single family dwelling proposals within 500 feet of the normal high water mark of Management Class 2 Lakes, the Commission will require an average density per landownership of no more than one dwelling unit per shore mile.

- h. Management Class 4 Lakes** (High Value, Developed Lakes) as shown on the Commission's Land Use Guidance Maps.

Within 250 feet of the normal high water mark of Management Class 4 lakes, the Commission will:

- (1) With respect to subdivisions and commercial, industrial, and other non-residential structures, require the applicant to indicate future plans for other undeveloped shorelands on the lake that are owned by the applicant. Such indication of future plans shall address, at a minimum, the next 10 years, and shall include, but not be limited to, the following information regarding the applicant's landownership on the lake:
 - (a) area and shoreline length;
 - (b) potential suitability for development based on an appropriate inventory of soils and significant natural and cultural resources; and
 - (c) development proposed or anticipated, if any.

This indication of future plans shall be considered part of the proposal. Therefore, changes in such plans, evidenced by a development proposal not included in the description of future plans, will require approval of an application to amend the original proposal in which these future plans were indicated.

- ~~(2) With respect to subdivision proposals, require cluster developments which meet the requirements of Section 10.25,R.~~

- ~~**i. Management Class 5 Lakes** (Heavily Developed Lakes) as shown on the Commission's Land Use Guidance Maps.~~

~~With respect to subdivision proposals within 250 feet of Management Class 5 lakes, the Commission will require cluster developments which meet the requirements of Section 10.25,R.~~

...

[REVISION NOTE: The following new subdistrict will be added in alphabetical order. The numbering of all subsequent subdistricts in Section 10.21, and references thereto throughout Chapter 10 will be adjusted accordingly. Specifically,

- **Each subdistrict in Section 10.21,F through the end shall be revised. Also note that another subdistrict is added as Section 10.21,K. (As a result, Section 10.21,F is now G; 10.21,G is now H; Section 10.21,I is now J; Section 10.21,J is now L; Section 10.21,K is now M; Section 10.21,L is now N; and Section 10.21,M is now O);**
- **Section 10.26,G,2 refers to "...Section 10.21,G..." which is changed to "...Section 10.21,H...";**
- **Section 10.27,R, footnote refers to "...Section 10.21,I..." which is changed to "...Section 10.21,J..."]**

F. LOW-DENSITY DEVELOPMENT SUBDISTRICT (D-LD)

1. Purpose

The purpose of the D-LD subdistrict is to allow for development of well-designed, low-density subdivisions in suitable locations. Low-density subdivisions are compatible with settings that have patterns of dispersed residential development and do not include sensitive fish or wildlife habitats, or exceptional recreation resources. The D-LD subdistrict is designed to allow for the location of low-density subdivisions in areas that are easily accessible from towns and villages, but are not within the growth areas of towns or villages, or in other areas where land is in high demand, such as near bodies of standing water greater than 10 acres or major flowing waters.

2. Description

The D-LD subdistrict shall include:

Areas that are proposed for development activities that are consistent with the purposes of this subdistrict; meet the criteria for redistricting to this subdistrict, pursuant to Section 10.08; and are generally suitable for development of the type associated with the uses allowed in the subdistrict when considered in light of the standards of 12 M.R.S. §685-B(4) and the Commission's Land Use Districts and Standards.

Areas within one-half mile of a body of standing water 10 acres or greater, a major flowing water, or areas within two miles of the boundary of a rural hub as described in Section 10.08-A,B, shall not be included within the D-LD subdistrict.

3. Land Uses

a. Uses Allowed Without a Permit

The following uses shall be allowed without a permit from the Commission within D-LD subdistricts:

- (1) Emergency operations conducted for the public health, safety or general welfare, such as resource protection, law enforcement, and search and rescue operations;
- (2) Forest management activities, except for timber harvesting;

- (3) Motorized vehicular traffic on roads and trails, and snowmobiling;
- (4) Primitive recreational uses, including fishing, hiking, hunting, wildlife study and photography, wild crop harvesting, horseback riding, tent and shelter camping, canoe portaging, cross country skiing and snowshoeing;
- (5) Surveying and other resource analysis;
- (6) Trails, provided they are constructed and maintained so as to reasonably avoid sedimentation of water bodies; and
- (7) Wildlife and fishery management practices.

b. Uses Allowed Without a Permit Subject to Standards

The following uses shall be allowed without a permit from the Commission within D-LD subdistricts subject to the applicable requirements set forth in Sub-Chapter III:

- (1) Accessory structures: New or expanded structures accessory to, and located on the same lot as, any legally existing principal structures and uses, provided that:
 - (a) The accessory structure is located in a subdistrict that allows the principal use;
and
 - (b) The total square footage of the footprint of all new or expanded accessory structures built on a lot within a two-year period is not more than 750 square feet and all other requirements and standards of Section 10.27,P are met;
- (2) Agricultural activities: Agricultural management activities;
- (3) Constructed ponds: Creation, alteration or maintenance of constructed ponds of less than 4,300 square feet in size that are not fed or drained by flowing waters provided they are constructed and maintained in conformance with the vegetative buffer strip requirements of Section 10.27,C,2,a;
- (4) Driveways associated with residential uses;
- (5) Filling and grading;
- (6) Home-based businesses: Minor home-based businesses;
- (7) Land management roads that are in conformance with all applicable terms and conditions of a valid subdivision permit;
- (8) Mineral exploration activities: Level A mineral exploration activities, excluding associated access ways;
- (9) Road projects: Level A road projects;
- (10) Service drops;
- (11) Signs;
- (12) Timber harvesting that is in conformance with all applicable terms and conditions of a valid subdivision permit;
- (13) Utility services: Buildings or structures necessary for the furnishing of public utility services, provided they contain not more than 500 square feet of floor area, are less than 20 feet in height, and are not supplied with water; and
- (14) Water crossings of minor flowing waters.

c. Uses Requiring a Permit

The following uses, and related accessory structures, may be allowed within D-LD subdistricts upon issuance of a permit from the Commission pursuant to 12 M.R.S. §685-B, subject to the applicable requirements set forth in Sub-Chapter III:

- (1) Agricultural activities: Agricultural management activities that are not in conformance with the standards of Section 10.27,A;

- (2) Campsites;
- (3) Campsites, Residential;
- (4) Cemeteries, and family burying grounds in accordance with 13 M.R.S. §1142;
- (5) Constructed ponds: Creation, alteration or maintenance of constructed ponds 4,300 square feet or greater in size that are not fed or drained by flowing waters, or of such ponds less than 4,300 square feet in size that are not in conformance with the vegetative buffer strip requirements of Section 10.27,C,2,a;
- (6) Draining, dredging, or alteration of the water table or water level for other than mineral extraction;
- (7) Driveways associated with non-residential uses; driveways associated with residential uses that are not in conformance with the standards of Section 10.27,H;
- (8) Filling and grading that is not in conformance with the standards of Section 10.27,F;
- (9) Home-based businesses: Major home-based businesses;
- (10) Land management roads that are not in conformance with the standards of Section 10.21,F,3,b;
- (11) Mineral exploration activities: Access ways for Level A mineral exploration activities; Level A mineral exploration activities that are not in conformance with the standards of Section 10.27,C; and Level B mineral exploration activities;
- (12) Residential: Single and two-family dwellings
- (13) Road projects: Level B and C road projects, except for water crossings as provided for in Section 10.21,F,3,b;
- (14) Shoreland alterations, including water crossings of minor flowing waters;
- (15) Signs that are not in conformance with the standards of Section 10.27,J;
- (16) Subdivisions: Residential, low-density subdivisions;
- (17) Timber harvesting that is not in conformance with the standards of Section 10.21,F,3,b;
- (18) Utility facilities compatible with residential uses other than service drops; and wire and pipe line extensions that do not meet the definition of service drops;
- (19) Water crossings of minor flowing waters that are not in conformance with the standards of Section 10.27,D and water crossings of bodies of standing water and of major flowing waters;
- (20) Water impoundments;
- (21) Wind projects: Community-based offshore wind energy projects, as defined in 12 M.R.S. §682(19); offshore wind power projects, as defined in 38 M.R.S. §480-B(6A); and wind energy development in accordance with 35-A M.R.S., Chapter 34-A in areas identified in Appendix F herein;
- (22) Other structures, uses or services that are essential to the uses listed in Section 10.21,F,3,a through c; and
- (23) Other structures, uses, or services which the Commission determines are consistent with the purposes of this subdistrict and of the Comprehensive Land Use Plan and are not detrimental to the resources and uses they protect, and are of similar type, scale and intensity as other allowed uses.

d. Special Exceptions

The following uses, and related accessory structures, may be allowed as special exceptions, either singly or in combination, provided the applicant shows by substantial evidence, that (a) the use can be buffered from those other uses within the subdistrict with which it is incompatible; (b) such other conditions are met that the Commission may reasonably impose in accordance with the policies of the Comprehensive Land Use Plan; (c) that there is

sufficient infrastructure to accommodate the additional traffic and activity generated by the facility; and (d) that surrounding resources and uses that may be sensitive to such increased traffic and activity are adequately protected:

(1) Recreational lodging facilities:

(a) Level A; and

(b) Level B.

e. Prohibited Uses

All uses not expressly allowed, with or without a permit or by special exception shall be prohibited in D-LD subdistricts.

I.J. RURAL BUSINESS DEVELOPMENT SUBDISTRICT (D-RB)

(Applies only to certain locations within Aroostook County and Washington County)

...

3. Land Uses

...

d. Special Exceptions

The following uses, and related accessory structures, may be allowed within the D-RB subdistricts as special exceptions upon issuance of a permit from the Commission pursuant to 12 M.R.S.A. §685-A(10), and subject to the applicable requirements set forth in Sub-Chapter III, provided that the applicant shows by substantial evidence that such other conditions are met that the Commission may reasonably impose in accordance with the policies of the Comprehensive Land Use Plan:

- (1) **Subdivisions: Maple Sugar Processing Subdivisions:** ~~Subdivisions containing lots created by lease for the purpose of establishing and operating commercial maple sugar processing operations provided that:~~
- ~~The maximum number of leased lots shall be no more than one (1) per every 300 acres of the lot or parcel being subdivided²;~~
 - ~~The maximum size of each leased lot shall be no more than 4 acres;~~
 - ~~Any two leased lots in a maple sugar subdivision may be located less than 1,000 feet from each other; these lots will be considered a set of lots for the purpose of determining leased lot separation;~~
 - ~~Each set of leased lots must be separated from any other leased lot or set of leased lots in the subdivision by a minimum of 1,000 feet, measured horizontally from the closest point between lots or sets of leased lots; and~~

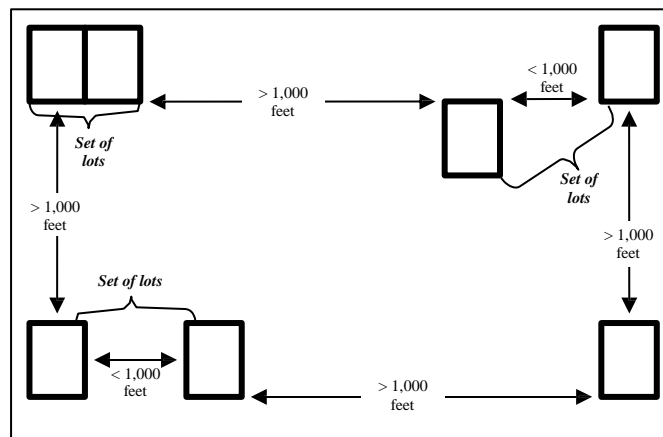


Figure 10.21,I 1. Leased lots in maple sugar subdivisions.

²Calculated by dividing the total acreage of the lot or parcel being subdivided by 300 and rounding down to the nearest whole number.

- ~~Fee ownership in each of the leased lots shall only be transferred as part of a sale of the entire parcel originally so subdivided, or with a deed restriction requiring that the lot be used only for commercial maple syrup production unless the Commission, or its legal successor in function, releases the restriction and records such release in the registry of deeds.~~

The following uses may be allowed as special exceptions, either singly or in combination, provided the applicant shows by substantial evidence, that (a) the use can be buffered from those other uses within the subdistrict with which it is incompatible; (b) such other conditions are met that the Commission may reasonably impose in accordance with the policies of the Comprehensive Land Use Plan; (c) that there is sufficient infrastructure to accommodate the additional traffic and activity generated by the facility; and (d) that surrounding resources and uses that may be sensitive to such increased traffic and activity are adequately protected:

- (2) Commercial and industrial:
 - (a) Aroostook County: Rural Business in conformance with the requirements of Section 10.27,R:
 - (i) Category 3, within one half mile of a public road in Category 2 & 3 townships, plantations and towns, or in accordance with Section 10.21,~~J~~,2,b(2);
 - (b) Washington County: Rural Business in conformance with the requirements of Section 10.27,R:
 - (i) Category 3, within one quarter mile of a public road listed in Section 10.21,~~J~~,2,b,(1),(b), or in accordance with Section 10.21,~~J~~,2,b,(2);
- (3) Recreational lodging facilities:
 - (a) Level C (occupancy may exceed the standard in Section 10.27,Q,1, Table A up to the Expanded Access occupancy limit, provided that the majority of occupancy is accommodated at campsites);
 - (b) Level C – Expanded Access (inside the geographic allowance area); and
 - (c) Level D – Expanded Access (inside the geographic allowance area).

The following uses may be allowed as special exceptions provided the applicant also shows by substantial evidence that there is no alternative site which is both suitable to the proposed use and reasonably available to the applicant:

- (4) Docking structures: New or expanded permanent docking structures;
- (5) Trailered ramps: Private trailered ramps; and
- (6) Water-access ways.

The following uses may be allowed as special exceptions provided the applicant shows by substantial evidence, in addition to (a), (b), (c) and (d) above, and the provisions of Section 10.25,D,2, that (e) the project will not result in traffic safety or capacity deficiencies in the vicinity of the project site.

- (7) Subdivisions: Commercial and industrial subdivisions for rural business within Forkstown Twp., Glenwood Plt., North Yarmouth Academy Grant Twp., TA R2 WELS, T1 R5 WELS, T9 R5 WELS, T14 R6 WELS, and Upper Molunkus Twp..

The following uses may be allowed as special exceptions provided the applicant shows by substantial evidence that either: (a) the use is integral to the business; or (b) the use predates May 9, 2016.

(8) Residential: Single family dwellings.

e. Prohibited Uses

All uses not expressly allowed, with or without a permit or by special exception shall be prohibited in a D-RB subdistrict.

f. Water Quality Limiting Lakes

For information relative to water quality limiting lakes see Section 10.23,E,3,g.

g. Management Class 2 Lakes (Accessible, Undeveloped, High Value Lakes) as shown on the Commission's Land Use Guidance Maps.

With respect to single family dwelling proposals within 500 feet of the normal high water mark of Management Class 2 Lakes, the Commission will require an average density per landownership of no more than one dwelling unit per shore mile.

h. Management Class 4 Lakes (High Value, Developed Lakes) as shown on the Commission's Land Use Guidance Maps.

Within 250 feet of the normal high water mark of Management Class 4 lakes, the Commission will:

- (1) With respect to subdivisions and commercial, industrial, and other non-residential structures, require the applicant to indicate future plans for other undeveloped shorelands on the lake that are owned by the applicant. Such indication of future plans shall address, at a minimum, the next 10 years, and shall include, but not be limited to, the following information regarding the applicant's landownership on the lake:
 - (a) area and shoreline length;
 - (b) potential suitability for development based on an appropriate inventory of soils and significant natural and cultural resources; and
 - (c) development proposed or anticipated, if any.

This indication of future plans shall be considered part of the proposal. Therefore, changes in such plans, evidenced by a development proposal not included in the description of future plans, will require approval of an application to amend the original proposal in which these future plans were indicated.

~~(2) With respect to subdivision proposals, require cluster developments which meet the requirements of Section 10.25,R.~~

~~**i. Management Class 5 Lakes** (Heavily Developed Lakes) as shown on the Commission's Land Use Guidance Maps.~~

~~With respect to subdivision proposals within 250 feet of Management Class 5 lakes, the Commission will require cluster developments which meet the requirements of Section 10.25,R.~~

ij. Management Class 1 and 6 Lakes (Least Accessible, Undeveloped High Value Lakes and Remote Ponds) as shown on the Commission's Land Use Guidance Maps. Areas around these lakes are not eligible to be zoned D-RB (see Section 10.21,I,2).

[REVISION NOTE: *The following new subdistrict will be added in alphabetical order. The numbering of all subsequent subdistricts in Section 10.21, and references thereto throughout Chapter 10 will be adjusted accordingly. As indicated previously, these other changes specifically include,*

- *Each subdistrict in Section 10.21,F through the end shall be revised. Also note that another subdistrict is added as Section 10.21,K. (As a result, Section 10.21,F is now G; 10.21,G is now H; Section 10.21,I is now J; Section 10.21,J is now L; Section 10.21,K is now M; Section 10.21,L is now N; and Section 10.21,M is now O);*
- *Section 10.26,G,2 refers to "...Section 10.21,G..." which is changed to "...Section 10.21,H...";*
- *Section 10.27,R, footnote refers to "...Section 10.21,I,..." which is changed to "...Section 10.21,J,..."]*

K. RESOURCE-DEPENDENT DEVELOPMENT SUBDISTRICT (D-RD)

1. Purpose

The purpose of the D-RD subdistrict is to allow for resource-dependent development in locations near natural resources that would not be suitable for other types of commercial development. Resource-dependent development may be located near raw materials to facilitate extraction, processing, or refinement to reduce bulk before transportation, or near recreational resources, provided development does not result in undue adverse impacts to existing uses or resources. The D-RD subdistrict is designed to allow for the location of recreation supply facilities, recreation day use facilities, grid-scale solar energy facilities; natural resource extraction, or natural resource processing facilities in areas that are distant from other development, but where the location of such a land use (i) will not unreasonably interfere with existing uses, such as forestry and agricultural activities, or with fish and wildlife habitat or other recreation opportunities, and (ii) will not substantially increase the demand for public services.

2. Description

The D-RD Subdistrict shall include:

- a.** Areas the Commission determines meet the applicable criteria for redistricting to this subdistrict in Section 10.08, are generally suitable for the development activities proposed, and are proposed for one of the following land uses meeting the following locational requirements:
 - (1) Natural resource extraction or natural resource processing, except that no area shall be designated a D-RD subdistrict for any of these uses, other than gravel extraction, if the area is less than one-half mile from: (i) the normal high-water mark of any major water body or (ii) four or more dwellings within a 500-foot radius.
 - (2) Recreation day use facilities near a topographic feature or natural resource that generally is not found in all locations, and on which the facility depends, or within one-quarter mile of a water access point that is publicly accessible to a Management

Class 4, 5, or 7 lake, and not within one-quarter mile of a Management Class 1 or Management Class 2 lake, and not within one-half mile of a Management Class 6 lake.

- (3) Recreation supply facilities within one-quarter mile of a water access point that is publicly accessible on a Management Class, 4, 5, or 7 lake or within one-quarter mile of trailheads serving permanent trails that support motorized vehicles, nonmotorized vehicles, or equestrian use. Recreation supply facilities must not be located within one-quarter mile of a Management Class 1 or Management Class 2 lake, and not within one-half mile of a Management Class 6 lake. The proposed commercial development must have adequate parking that is separate from designated parking for trail use when existing space cannot accommodate both trail users and all activity as a result of the proposed development.
- (4) Grid-scale solar energy facilities in an area (i) accessible from a public road by a legal right of access satisfying Section 10.08-A,E; (ii) located a reasonable distance from emergency service providers to allow for adequate response in the event of an emergency; and (iii) within one mile of the proposed point of interconnection with the existing transmission grid if no other area suitable for the facility and closer to a point of interconnection is reasonably available to the petitioner seeking to establish a D-RD subdistrict, unless the petitioner demonstrates that redistricting an area no more than three miles from the point of interconnection would result in a project location that is compatible with current land uses and does not expand the pattern of development beyond already developed areas.

b. Reversion of Subdistrict. Once a D-RD subdistrict is no longer used for the land use for which it was created, the subdistrict shall automatically revert to the prior subdistrict(s), unless otherwise rezoned in conformance with 12 M.R.S. §685-A(8-A) and the Commission's rules.

3. Land Uses

a. Uses Allowed Without a Permit

The following uses shall be allowed without a permit from the Commission within D-RD subdistricts:

- (1) Docking structures: Temporary docking structures for non-commercial use;
- (2) Emergency operations conducted for the public health, safety or general welfare, such as resource protection, law enforcement, and search and rescue operations;
- (3) Forest management activities, except for timber harvesting;
- (4) Land application of septage, sludge and other residuals, and related storage and composting activities in compliance with regulations promulgated by the Maine Department of Environmental Protection under 38 M.R.S. §13: Maine Hazardous Waste, Septage and Solid Waste Management Act;
- (5) Motorized vehicular traffic on roads and trails, and snowmobiling;
- (6) Primitive recreational uses, including fishing, hiking, hunting, wildlife study and photography, wild crop harvesting, trapping, horseback riding, tent and shelter camping, canoe portaging, cross country skiing, and snowshoeing;
- (7) Surveying and other resource analysis;
- (8) Trails, provided they are constructed and maintained so as to reasonably avoid sedimentation of water bodies; and

(9) Wildlife and fishery management practices.

b. Uses Allowed Without a Permit Subject to Standards

The following uses shall be allowed without a permit from the Commission within D-RD subdistricts subject to the applicable requirements set forth in Sub-Chapter III:

- (1) Accessory structures: New or expanded structures accessory to, and located on the same lot as, any legally existing principal structures and uses, provided that:
 - (a) The accessory structure is located in a subdistrict that allows the principal use; and
 - (b) The total square footage of the footprint of all new or expanded accessory structures built on a lot within a two-year period is not more than 750 square feet and all other requirements and standards of Section 10.27,P are met;
- (2) Agricultural activities: Agricultural management activities;
- (3) Campsites;
- (4) Checkpoint buildings;
- (5) Constructed ponds: Creation, alteration or maintenance of constructed ponds, other than those described in Section 10.21,K,3,b above, less than 1 acre in size that are not fed or drained by flowing waters, in conformance with the vegetative buffer strip requirements of Section 10.27,C,2,a;
- (6) Driveways associated with residential uses;
- (7) Filling and grading;
- (8) Forest management activities, except for timber harvesting, involving the operation of machinery and the erection of buildings including buildings to store equipment and materials for maintaining roads and other structures used primarily for forest management activities;
- (9) Hand-carry launches: Commercial and public hand-carry launches;
- (10) Land management roads;
- (11) Mineral exploration activities: Level A and Level B mineral exploration activities, excluding associated access ways;
- (12) Natural resource extraction: Mineral extraction operations, less than 5 acres in size;

[REVISION NOTE: The change in how the mineral extraction use listing has been included in subdistricts where other changes are also proposed. However, the intent is to make this change throughout Chapter 10, Land Use Districts and Standards. All remaining instances of any “mineral extraction...” and “Gravel extraction...” use listings in Chapter 10 are also to be revised to “Natural resource extraction: Mineral extraction...” and “Natural resource extraction: Gravel extraction...” respectively. In both cases, the revised use listing shall be relocated to be in alphabetical order.]

- (13) Road projects: Level A and B road projects;
- (14) Service drops;
- (15) Signs;
- (16) Timber harvesting;
- (17) Trailered ramps: Public trailered ramps;
- (18) Utility services: Buildings or structures necessary for the furnishing of public utility services, provided they contain not more than 500 square feet of floor area, are less than 20 feet in height, and are not supplied with water; and

(19) Water crossings of minor flowing waters.

c. Uses Requiring a Permit

The following uses, and related accessory structures, may be allowed within D-RD subdistricts upon issuance of a permit from the Commission pursuant to 12 M.R.S. §685-B, subject to the applicable requirements set forth in Sub-Chapter III, and if within 250 feet of Management Class 4 lakes, subject to the applicable requirements of Section 10.21,k,3,g:

- (1) Agricultural activities: Agricultural management activities that are not in conformance with the standards of Section 10.27,A;
- (2) Campsites, Residential;
- (3) Commercial and industrial:
 - (a) Natural resource processing facilities that may involve structural development, in conformance with the requirements for such activities in Sections 10.27,R and S;
 - (b) Recreation day use facilities that may involve structural development;
 - (c) Recreation supply facilities that may involve structural development;
- (4) Constructed ponds: Creation, alteration or maintenance of constructed ponds, other than those described in Section 10.21,K,3,b, above, that are 1 acre or more in size, or such ponds less than 1 acre that are not in conformance with the vegetative buffer strip requirements of Section 10.27,C,2,a;
- (5) Driveways associated with non-residential uses; driveways associated with residential uses which are not in conformance with the standards of Section 10.27,H;
- (6) Filling and grading that is not in conformance with the standards of Section 10.27,F;
- (7) Hand-carry launches: Private hand-carry launches and hand-carry launches addressed in Section 10.21,K,3,b that are not in conformance with the standards of Section 10.27,L;
- (8) Land management roads which are not in conformance with the standards of Section 10.21,K,3,b;
- (9) Maple sugar processing operations;
- (10) Metallic mineral mining activities: Tier one advanced exploration;
- (11) Mineral exploration activities: Access ways for Level A and Level B mineral exploration activities, and Level A and Level B mineral exploration activities that are not in conformance with the standards of Section 10.27,C;
- (12) Natural resource extraction, other than those described in Section 10.21,K,3,b;
- (13) Portable mineral processing or rock crushing equipment;
- (14) Road projects: Level C road projects;
- (15) Shoreland alterations, including reconstruction of permanent docking structures, and permanent on-shore structures used to secure docks and moorings; but excluding marinas, new or expanded permanent docking structures, water-access ways, trailered ramps, hand-carry launches, and water crossings of minor flowing waters;
- (16) Signs that are not in conformance with the standards of Section 10.27,J;
- (17) Solar energy generation facility: grid-scale solar energy generation facility not located on soils recognized by the U.S. Department of Agriculture as prime farmland soils;
- (18) Structures: Non-commercial structures utilized for educational, scientific, or nature observation purposes; structures devoted to composting of sludge, septage or other residuals affecting an area less than 5 acres in size; and structures devoted to the storage of sand or salt;
- (19) Subdivision;

- (a) Commercial and industrial subdivisions for uses allowed in this subdistrict;
- (b) Maple Sugar Processing;
- (20) Timber harvesting which is not in conformance with the standards of Section 10.21,K,3,b;
- (21) Trailered ramps: Commercial trailered ramps and trailered ramps addressed in Section 10.21,K,3,b that are not in conformance with the standards of Section 10.27,L;
- (22) Truck and equipment storage in accordance with Sections: 10.27,R,1,a,(6); 10.27,R,1,b,(6); and 10.27,R,1,c,(6);
- (23) Utility facilities, excluding service drops; and wire and pipe line extensions that do not meet the definition of service drops;
- (24) Water crossings of minor flowing waters that are not in conformance with the standards of Section 10.27,D and water crossings of bodies of standing water and of major flowing waters;
- (25) Water impoundments;
- (26) Wind projects: Community-based offshore wind energy projects, as defined in 12 M.R.S. §682(19); offshore wind power projects, as defined in 38 M.R.S. §480-B(6A); and wind energy development in accordance with 35-A M.R.S., Chapter 34-A in areas identified in Appendix F herein;
- (27) Other structures, uses, or services that are essential to the uses listed in Section 10.21,K,3,a through c; and
- (28) Other structures, uses, or services that the Commission determines are consistent with the purposes of this subdistrict and of the Comprehensive Land Use Plan and are not detrimental to the resources or uses they protect, and are of similar type, scale and intensity as other allowed uses.

d. Special Exceptions

The following uses, and related accessory structures, may be allowed within D-RD subdistricts as special exceptions upon issuance of a permit from the Commission pursuant to 12 M.R.S. §685-A(10), and subject to the applicable requirements set forth in Sub-Chapter III, provided that the applicant shows by substantial evidence that (a) upon decommissioning of the facility all structures and materials associated with the development will be removed, and affected soils will be replaced or restored to a state such that they could be utilized for active agricultural production; and (b) such other conditions are met that the Commission may reasonably impose in accordance with the policies of the Comprehensive Land Use Plan:

- (1) Solar energy generation facility: grid-scale solar energy generation facility located on soils recognized by the U.S. Department of Agriculture as prime agricultural soils.

e. Prohibited Uses

All uses not expressly allowed, with or without a permit or by special exception shall be prohibited in a D-RD subdistrict.

f. Water Quality Limiting Lakes

For information relative to water quality limiting lakes see Section 10.23,E,3,g.

g. Management Class 4 Lakes (High Value, Developed Lakes) as shown on the Commission's Land Use Guidance Maps.

Within 250 feet of the normal high water mark of Management Class 4 lakes, the Commission will:

- (1) With respect to recreation day use or recreation supply facilities, require the applicant to indicate future plans for other undeveloped shorelands on the lake that are owned by the applicant. Such indication of future plans shall address, at a minimum, the next 10 years, and shall include, but not be limited to, the following information regarding the applicant's landownership on the lake:
- (a) area and shoreline length;
 - (b) potential suitability for development based on an appropriate inventory of soils and significant natural and cultural resources; and
 - (c) development proposed or anticipated, if any.

This indication of future plans shall be considered part of the proposal. Therefore, changes in such plans, evidenced by a development proposal not included in the description of future plans, will require approval of an application to amend the original proposal in which these future plans were indicated.

K.L. RECREATION FACILITY DEVELOPMENT SUBDISTRICT (D-RF)

...

3. Land Uses

...

c. Uses Requiring a Permit

The following uses, and related accessory structures, may be allowed within D-RF subdistricts upon issuance of a permit from the Commission pursuant to 12 M.R.S.A. § 685-B, subject to the applicable requirements set forth in Sub-Chapter III and, where within 500 feet of Management Class 2 lakes or within 250 feet of Management Class 4 ~~and~~ ~~Management Class 5~~ lakes, subject to the applicable requirements of Section 10.21, J, 3, g, and h and i below:

...

d. Special Exceptions

The following uses, and related accessory structures, may be allowed as special exceptions, either singly or in combination, provided the applicant shows by substantial evidence, that (a) the use can be buffered from those other uses within the subdistrict with which it is incompatible; (b) such other conditions are met that the Commission may reasonably impose in accordance with the policies of the Comprehensive Land Use Plan; (c) that there is sufficient infrastructure to accommodate the additional traffic and activity generated by the facility; and (d) that surrounding resources and uses that may be sensitive to such increased traffic and activity are adequately protected:

- (1) Commercial: Recreation supply facilities that are not within one-quarter mile of Management Class 1, or Management Class 2 lakes, and not within one-half mile of Management Class 6 lakes;

[Renumber all subsequent use listings accordingly.]

...

- g. Management Class 2 Lakes** (Accessible, Undeveloped, High Value Lakes) as shown on the Commission's Land Use Guidance Maps.

With respect to proposals for development units within 500 feet of the normal high water mark of Management Class 2 Lakes, the Commission will require an average density per landownership of no more than one development unit per shore mile as provided for in Section 10.23, A, 3.

- h. Management Class 4 Lakes** (High Value, Developed Lakes) as shown on the Commission's Land Use Guidance Maps.

Within 250 feet of the normal high water mark of Management Class 4 lakes, the Commission will:

- (1) With respect to subdivisions and recreation facilities, recreation lodging facilities, and other non-residential structures, require the applicant to indicate future plans for other undeveloped shorelands on the lake that are owned by the applicant. Such indication of future plans shall address, at a minimum, the next 10 years, and shall include, but not be limited to, the following information regarding the applicant's landownership on the lake:
 - (a) area and shoreline length;
 - (b) potential suitability for development based on an appropriate inventory of soils and significant natural and cultural resources; and
 - (c) development proposed or anticipated, if any.

This indication of future plans shall be considered part of the proposal. Therefore, changes in such plans, evidenced by a development proposal not included in the description of future plans, will require approval of an application to amend the original proposal in which these future plans were indicated.

~~(2) With respect to subdivision proposals, require cluster developments which meet the requirements of Section 10.25,R.~~

~~**i. Management Class 5 Lakes (Heavily Developed Lakes) as shown on the Commission's Land Use Guidance Maps.**~~

~~With respect to subdivision proposals within 250 feet of Management Class 5 lakes, the Commission will require cluster developments which meet the requirements of Section 10.25,R.~~

...

~~K-M~~. RESIDENTIAL DEVELOPMENT SUBDISTRICT (D-RS)

1. Purpose

The purpose of the D-RS subdistrict is to set aside certain areas for residential and other appropriate uses so as to provide for residential activities apart from areas of commercial development. The intention is to encourage the concentration of residential type development ~~in and adjacent to existing residentially developed areas~~ in locations where public services may be provided efficiently or where residential development can be integrated with a recreational resource that is suitable for additional use associated with proximate residential development.

2. Description

The D-RS subdistrict shall include:

- a.** Areas with the following existing patterns of intensive residential development:
 - (1) Areas where four or more single family dwelling units exist within a 500 foot radius; or
 - (2) Recorded and legally existing single family residential subdivisions, including mobile home parks, having 4 or more lots; or
 - (3) Areas surrounding those described in Section 10.21, ~~K-M~~, 2, a, (1) or (2) above which contain neighborhood or associated uses that primarily serve such residences. Such areas may include, without limitation, residential accessory buildings, neighborhood parks and public open spaces, schools, day nurseries, places of worship, cemeteries, but shall not include industrial uses.

The designated D-RS subdistrict boundaries shall include all single family dwelling units and accessory buildings and uses, paved areas and areas directly related to, and necessary for, the conduct of those activities associated with the above described single family dwelling units, as well as other intervening areas between such buildings, paved surfaces and areas. Furthermore, in the case of recorded and legally existing single family residential subdivisions, the D-RS subdistrict boundaries shall encompass the entire subdivision.

- b.** Areas which the Commission determines both meet the criteria for redistricting to this subdistrict, pursuant to Section 10.08 hereof, are proposed for development which is consistent with the purposes of this subdistrict, and are suitable for the development activities proposed when measured against the standards of 12 M.R.S. ~~A~~: §685-B(4) and the Commission's Rules and Regulations relating thereto.

3. Land Uses

a. Uses Allowed Without a Permit

The following uses shall be allowed without a permit from the Commission within D-RS subdistricts:

- (1) Docking structures: Temporary docking structures for non-commercial use;
- (2) Emergency operations conducted for the public health, safety or general welfare, such as resource protection, law enforcement, and search and rescue operations;
- (3) Forest management activities, except for timber harvesting;
- (4) Motorized vehicular traffic on roads and trails, and snowmobiling;
- (5) Primitive recreational uses, including fishing, hiking, wildlife study and photography, wild crop harvesting, horseback riding, tent and shelter camping, canoe portaging, cross country skiing and snowshoeing, excluding hunting and trapping;
- (6) Surveying and other resource analysis;
- (7) Trails, provided they are constructed and maintained so as to reasonably avoid sedimentation of water bodies; and
- (8) Wildlife and fishery management practices.

b. Uses Allowed Without a Permit Subject to Standards

The following uses shall be allowed without a permit from the Commission within D-RS subdistricts subject to the applicable requirements set forth in Sub-Chapter III:

- (1) Accessory structures: New or expanded structures accessory to, and located on the same lot as, any legally existing principal structures and uses, provided that:
 - (a) The accessory structure is located in a subdistrict that allows the principal use; and
 - (b) The total square footage of the footprint of all new or expanded accessory structures built on a lot within a two-~~(2)~~-year period is not more than 750 square feet and all other requirements and standards of Section 10.27,P are met;
- (2) Agricultural activities: Agricultural management activities;
- (3) Constructed ponds: Creation, alteration or maintenance of constructed ponds of less than 4,300 square feet in size which are not fed or drained by flowing waters provided they are constructed and maintained in conformance with the vegetative buffer strip requirements of Section 10.27,C,2,a;
- (4) Driveways associated with residential uses;
- (5) Filling and grading;
- (6) Hand-carry launches: Public hand-carry launches except on Management Class 1 and 2 lakes;
- (7) Home-~~occupations-based businesses~~: Minor home-~~occupations-based businesses~~;
- (8) Mineral exploration activities: Level A mineral exploration activities, excluding associated access ways;
- (9) Road projects: Level A road projects;
- (10) Service drops;
- (11) Signs;
- (12) Trailered ramps: Public trailered ramps except on Management Class 1 and 2 lakes;
- (13) Utility services: Buildings or structures necessary for the furnishing of public utility services, provided they contain not more than 500 square feet of floor area, are less than 20 feet in height, and are not supplied with water; and

- (14) Water crossings of minor flowing waters.

c. Uses Requiring a Permit

The following uses, and related accessory structures, may be allowed within D-RS subdistricts upon issuance of a permit from the Commission pursuant to 12 M.R.S. ~~A~~, §685-B, subject to the applicable requirements set forth in Sub-Chapter III and, where within 500 feet of Management Class 2 lakes or within 250 feet of Management Class 4 ~~and Management Class 5~~ lakes, subject to the applicable requirements of Section 10.21, ~~KM~~, 3, g, ~~and h and i~~ below:

- (1) Agricultural activities: Agricultural management activities which are not in conformance with the standards of Section 10.27,A;
- (2) Campsites;
- (3) Campsites, Residential;
- (4) Cemeteries, and family burying grounds in accordance with 13 M.R.S. ~~A~~, §1142;
- (5) Constructed ponds: Creation, alteration or maintenance of constructed ponds 4,300 square feet or greater in size which are not fed or drained by flowing waters, or of such ponds less than 4,300 square feet in size which are not in conformance with the vegetative buffer strip requirements of Section 10.27,C,2,a;
- (6) Draining, dredging, or alteration of the water table or water level for other than mineral extraction;
- (7) Driveways associated with non-residential uses; driveways associated with residential uses which are not in conformance with the standards of Section 10.27,H;
- (8) Filling and grading which is not in conformance with the standards of Section 10.27,F;
- (9) Hand-carry launches: Hand-carry launches addressed in Section 10.21, ~~KM~~, 3, b which are not in conformance with the standards of Section 10.27,L;
- (10) Home ~~occupations-based businesses~~: Major home ~~occupations-based businesses~~;
- (11) Land management roads;
- (12) Mineral exploration activities: Access ways for Level A mineral exploration activities; Level A mineral exploration activities which are not in conformance with the standards of Section 10.27,C; and Level B mineral exploration activities;
- (13) Public and Institutional: Places of worship, public, private and parochial schools, day nurseries, and public parks and recreation areas;
- (14) Residential: Single and two-family dwellings;
- (15) Road projects: Level B and C road projects, except for water crossings as provided for in Section 10.21, ~~KM~~, 3, b;
- (16) Shoreland alterations, including reconstruction of permanent docking structures, and permanent on-shore structures used to secure docks and moorings; but excluding marinas, new or expanded permanent docking structures, water-access ways, trailered ramps, hand-carry launches, and water crossings of minor flowing waters;
- (17) Signs which are not in conformance with the standards of Section 10.27,J;
- (18) Subdivisions: ~~Residential subdivisions for uses permitted in this subdistrict,~~
Residential:
(a) Moderate-density subdivisions;
(b) High-density subdivisions in primary and secondary locations;
- (19) Timber harvesting;
- (20) Trailered ramps: Trailered ramps addressed in Section 10.21, ~~KM~~, 3, b which are not in conformance with the standards of Section 10.27,L;

- (21) Utility facilities compatible with residential uses other than service drops; and wire and pipe line extensions which do not meet the definition of service drops;
- (22) Water crossings of minor flowing waters which are not in conformance with the standards of Section 10.27,D and water crossings of bodies of standing water and of major flowing waters;
- (23) Water impoundments;
- (24) Wind projects: Community-based offshore wind energy projects, as defined in 12 M.R.S. ~~A~~ §682(19); offshore wind power projects, as defined in 38 M.R.S. ~~A~~ §480-B(6A); and wind energy development in accordance with 35-A M.R.S. ~~A~~, Chapter 34-A in areas identified in Appendix F herein;
- (25) Other structures, uses or services that are essential to the uses listed in Section 10.21, ~~K-M~~, 3,a through c; and
- (26) Other structures, uses, or services which the Commission determines are consistent with the purposes of this subdistrict and of the Comprehensive Land Use Plan and are not detrimental to the resources and uses they protect, and are of similar type, scale and intensity as other allowed uses.

d. Special Exceptions

The following uses, and related accessory structures, may be allowed within D-RS subdistricts as special exceptions upon issuance of a permit from the Commission pursuant to 12 M.R.S. ~~A~~ §685-A(10), and subject to the applicable requirements set forth in Sub-Chapter III, provided that the applicant shows by substantial evidence that (a) there is no alternative site which is both suitable to the proposed use and reasonably available to the applicant; (b) the use can be buffered from those uses within the vicinity or area likely to be affected by the proposal with which it is or may be incompatible; and (c) such other conditions are met that the Commission may reasonably impose in accordance with the policies of the Comprehensive Land Use Plan:

- (1) Docking structures: New or expanded permanent docking structures;
- (2) Hand-carry launches: Public hand-carry launches on Management Class 1 and 2 lakes;
- (3) Marinas;
- (4) Residential: Multi-family dwellings;
- (5) Trailered ramps: Commercial and private trailered ramps, and public trailered ramps on Management Class 1 and 2 lakes; and
- (6) Water-access ways.

e. Prohibited Uses

All uses not expressly allowed, with or without a permit, shall be prohibited in D-RS subdistricts.

f. Water Quality Limiting Lakes

For information relative to water quality limiting lakes see Section 10.23,E,3,g.

g. Management Class 2 Lakes (Accessible, Undeveloped, High Value Lakes) as shown on the Commission's Land Use Guidance Maps.

With respect to single family dwelling proposals within 500 feet of the normal high water mark of Management Class 2 Lakes, the Commission will require an average density per landownership of no more than one dwelling unit per shore mile.

h. Management Class 4 Lakes (High Value, Developed Lakes) as shown on the Commission's Land Use Guidance Maps.

Within 250 feet of the normal high water mark of Management Class 4 lakes, the Commission will:

- (1) With respect to subdivisions and commercial and other non-residential structures, require the applicant to indicate future plans for other undeveloped shorelands on the lake that are owned by the applicant. Such indication of future plans shall address, at a minimum, the next 10 years, and shall include, but not be limited to, the following information regarding the applicant's landownership on the lake:
 - (a) area and shoreline length;
 - (b) potential suitability for development based on an appropriate inventory of soils and significant natural and cultural resources; and
 - (c) development proposed or anticipated, if any.

This indication of future plans shall be considered part of the proposal. Therefore, changes in such plans, evidenced by a development proposal not included in the description of future plans, will require approval of an application to amend the original proposal in which these future plans were indicated.

~~(2) With respect to subdivision proposals, require cluster developments which meet the requirements of Section 10.25,R.~~

~~**b. Management Class 5 Lakes** (Heavily Developed Lakes) as shown on the Commission's Land Use Guidance Maps.~~

~~With respect to subdivision proposals within 250 feet of Management Class 5 lakes, the Commission will require cluster developments which meet the requirements of Section 10.25,R.~~

10.22 MANAGEMENT SUBDISTRICTS

Pursuant to the Commission's Comprehensive Land Use Plan, the following management subdistricts are established:

A. GENERAL MANAGEMENT SUBDISTRICT (M-GN)

...

3. Land Uses

...

b. Uses Allowed Without a Permit Subject to Standards

The following uses shall be allowed without a permit from the Commission within M-GN subdistricts subject to the applicable requirements set forth in Sub-Chapter III:

- (1) Accessory structures: New or expanded structures accessory to, and located on the same lot as, any legally existing principal structures and uses, provided that:
 - (a) The accessory structure is located in a subdistrict that allows the principal use; and
 - (b) The total square footage of the footprint of all new or expanded accessory structures built on a lot within a two-~~(2)~~-year period is not more than 750 square feet and all other requirements and standards of Section 10.27,P are met;
- (2) Agricultural activities:
 - (a) –Agricultural management activities, including cranberry cultivation; the construction, alteration or maintenance of farm or livestock ponds which are not fed or drained by a flowing water; and the operation of machinery and the erection of buildings including buildings to store equipment and materials for maintaining roads and other structures used primarily for agricultural management activities; and
 - (b) Small-scale agritourism.
- ~~(2)~~(3) Campsites;
- ~~(3)~~(4) Checkpoint buildings;
- ~~(5)~~ Commercial: Natural resource processing facilities that do not involve structural development, in conformance with the requirements for such activities in Section 10.27,S;

[Renumber all subsequent use listings accordingly.]

...

c. Uses Requiring a Permit

The following uses, and related accessory structures, may be allowed within M-GN subdistricts upon issuance of a permit from the Commission pursuant to 12 M.R.S. ~~A~~: §685-B, and subject to the applicable requirements set forth in Sub-Chapter III:

(1) Agricultural activities:

- a. Small-scale agricultural processing facilities;
- b. Small-scale agritourism not in conformance with the requirements for such activities in Section 10.27,A; and
- c. Medium-scale agritourism;

~~(2)~~ Campsites, Residential;

(3) Commercial Development:

- a. Natural resource processing facilities that do not involve structural development, not in conformance with the requirements for such activities in Section 10.27,S;
- b. Natural resource processing facilities that may involve structural development, in conformance with the requirements for such activities in Sections 10.27,R and S; and
- c. Recreation supply facilities that do not involve structural development and are not within one-quarter mile of Management Class 1, or Management Class 2 lakes, and not within one-half mile of Management Class 6 lakes;

[Renumber all subsequent use listings accordingly.]

(79) Home-occupations-based businesses: Major home-~~occupations-based businesses~~, except in the townships or plantations listed in Section 10.22,A,3,d;

...

(2023) Subdivisions: Level 2 General management subdivisions;

[Renumber all subsequent use listings accordingly.]

d. Special Exceptions

The following uses, and related accessory structures, may be allowed within the M-GN subdistricts as special exceptions upon issuance of a permit from the Commission pursuant to 12 M.R.S. ~~A~~: §685-A(10), and subject to the applicable requirements set forth in Sub-Chapter III, provided that the applicant shows by substantial evidence that there is no alternative site in a development subdistrict which is both suitable to the proposed use and reasonably available to the applicant:

- (1) Home-based businesses-occupations: Major home-~~occupations-based businesses~~ in the following plantations:
 - Dallas Plantation,
 - Rangeley Plantation, and
 - Sandy River Plantation.

The following uses may be allowed as special exceptions provided the applicant also shows by substantial evidence that such other conditions are met that the Commission may reasonably impose in accordance with the policies of the Comprehensive Land Use Plan:

- (2) ~~Subdivisions: Maple Sugar Processing Subdivisions: Subdivisions containing lots created by lease for the purpose of establishing and operating commercial maple sugar processing operations provided that:~~
- ~~• The maximum number of leased lots shall be no more than one (1) per every 300 acres of the lot or parcel being subdivided³;~~
 - ~~• The maximum size of each leased lot shall be no more than 4 acres;~~
 - ~~• Any two leased lots in a maple sugar subdivision may be located less than 1,000 feet from each other; these lots will be considered a set of lots for the purpose of determining leased lot separation;~~
 - ~~• Each set of leased lots must be separated from any other leased lot or set of leased lots in the subdivision by a minimum of 1,000 feet, measured horizontally from the closest point between lots or sets of leased lots; and~~

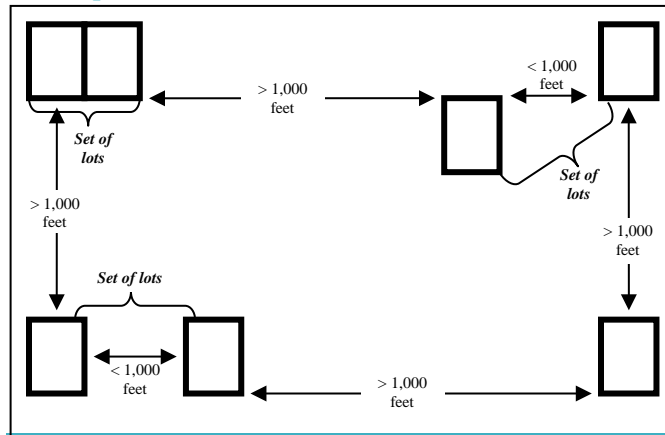


Figure 10.22,A 1. Leased lots in maple sugar subdivisions.

- ~~• Fee ownership in each of the leased lots shall only be transferred as part of a sale of the entire parcel originally so subdivided, or with a deed restriction requiring that the lot be used only for commercial maple syrup production unless the Commission, or its legal successor in function, releases the restriction and records such release in the registry of deeds.~~

The following uses may be allowed as special exceptions, either singly or in combination, provided the applicant shows by substantial evidence, that (a) the use can be buffered from those other uses within the subdistrict with which it is incompatible; (b) such other conditions are met that the Commission may reasonably impose in accordance with the policies of the Comprehensive Land Use Plan; (c) that there is sufficient infrastructure to accommodate the additional traffic and activity generated by the facility; and (d) that surrounding resources and uses that may be sensitive to such increased traffic and activity are adequately protected:

- (3) Recreational lodging facilities:

³Calculated by dividing the total acreage of the lot or parcel being subdivided by 300 and rounding down to the nearest whole number.

- (a) Level C (occupancy may exceed the standard in Section 10.27,Q,1, Table A up to the Expanded Access occupancy limit, provided that the majority of occupancy is accommodated at campsites);
- (b) Level C – Expanded Access (inside the geographic allowance area); and
- ~~(c) Level D – Expanded Access (inside the geographic allowance area);~~

(4) Agricultural activities:

- (a) Large-scale agricultural processing facilities; and
- (b) Large-scale agritourism.

10.23 PROTECTION SUBDISTRICTS

Pursuant to the Commission's Comprehensive Land Use Plan, the following protection subdistricts are established:

E. GREAT POND PROTECTION SUBDISTRICT (P-GP)

...

3. Land Uses

...

b. Uses Allowed Without a Permit Subject to Standards

The following uses shall be allowed without a permit from the Commission within P-GP subdistricts subject to the applicable requirements set forth in Sub-Chapter III:

- (1) Accessory structures: New or expanded structures accessory to, and located on the same lot as, any legally existing principal structures and uses, provided that:
 - (a) The accessory structure is located in a subdistrict that allows the principal use; and
 - (b) The total square footage of the footprint of all new or expanded accessory structures built on a lot within a two-~~(2)~~-year period is not more than 750 square feet and all other requirements and standards of Section 10.27,P are met;
- (2) Agricultural activities: Agricultural management activities;
- (3) Commercial: Recreation supply facilities that do not involve structural development, are not within one-quarter mile of Management Class 1 or Management Class 2 lakes, and not within one-half mile of Management Class 6 lakes, and that are in conformance with the requirements for such activities in Section 10.27,S;
- ~~(3)~~(4) Constructed ponds: Creation, alteration or maintenance of constructed ponds of less than 4,300 square feet in size which are not fed or drained by flowing waters, provided they are constructed and maintained in conformance with the vegetative buffer strip requirements of Section 10.27,C,2,a;
- ~~(4)~~(5) Driveways associated with residential uses;
- ~~(5)~~(6) Filling and grading;
- ~~(6)~~(7) Hand-carry launches: Commercial and public hand-carry launches;
- ~~(7)~~(8) Home-occupations-based businesses: Minor home-~~occupations-based businesses~~;
- ~~(8)~~(9) Mineral exploration activities: Level A mineral exploration activities, including associated access ways;
- ~~(9)~~(10) Road projects: Level A road projects;
- ~~(10)~~(11) Service drops;
- ~~(11)~~(12) Signs;

~~(12)~~(13) Trails, provided that any associated vegetation clearing or filling and grading are in conformance with the standards of Sections 10.27,B,1,b and c,2, and 4 and Section 10.27,F, and provided the trails are constructed and maintained so as to reasonably avoid sedimentation of water bodies;

~~(13)~~(14) Trailered ramps: Public trailered ramps; and

~~(14)~~(15) Water crossings of minor flowing waters, except for water crossings of minor flowing waters on/for land management roads.

c. Uses Requiring a Permit

The following uses, and related accessory structures, may be allowed within P-GP subdistricts upon issuance of a permit from the Commission pursuant to 12 M.R.S.A. §685-B, and subject to the applicable requirements set forth in Sub-Chapter III:

- (1) Agricultural activities: Agricultural management activities which are not in conformance with the standards of Section 10.27,A;
- (2) Campsites;
- (3) Campsites, Residential;
- ~~(4)~~ Commercial: Recreation supply facilities that do not involve structural development, and are not within one-quarter mile of Management Class 1 or Management Class 2 lakes, and not within one-half mile of Management Class 6 lakes, and that are not in conformance with the requirements for such activities in Section 10.27,S;

[Renumber all subsequent use listings accordingly.]

...

d. Special Exceptions

The following uses, and related accessory structures, may be allowed within P-GP subdistricts as special exceptions upon issuance of a permit from the Commission pursuant to 12 M.R.S.A. §685-A(10), and subject to the applicable requirements set forth in Sub-Chapter III, provided that the applicant shows by substantial evidence that (a) the use can be buffered from those other uses and resources within this subdistrict with which it is incompatible; and (b) such other conditions are met that the Commission may reasonably impose in accordance with the policies of the Comprehensive Land Use Plan:

- (1) Commercial:
 - (a) Recreation supply facilities that may involve structural development and are not within one-quarter mile of Management Class 1 or Management Class 2 lakes, and not within one-half mile of Management Class 6 lakes;
 - (b) Retail stores and restaurants in Primary Locations, as described in Section 10.08-A,C, with a gross floor area of no more than 2,000 square feet; and

[Renumber all subsequent use listings accordingly.]

...

L. SHORELAND PROTECTION SUBDISTRICT (P-SL)

...

3. Land Uses

...

b. Uses Allowed Without a Permit Subject to Standards

The following uses shall be allowed without a permit from the Commission within P-SL subdistricts subject to the applicable requirements set forth in Sub-Chapter III:

- (1) Agricultural activities: Agricultural management activities;
- (2) Commercial: Recreation supply facilities that do not involve structural development, and are not within one-quarter mile of Management Class 1 or Management Class 2 lakes, and not within one-half mile of Management Class 6 lakes, and that are in conformance with the requirements for such activities in Section 10.27,S;

[Renumber all subsequent use listings accordingly.]

...

c. Uses Requiring a Permit

The following uses, and related accessory structures, may be allowed within P-SL subdistricts upon issuance of a permit from the Commission pursuant to 12 M.R.S.~~A.~~ §685-B, and subject to the applicable requirements set forth in Sub-Chapter III:

- (1) Agricultural activities: Agricultural management activities which are not in conformance with the standards of Section 10.27,A and cranberry cultivation;
- (2) Campsites;
- (3) Campsites, Residential;
- (4) Commercial: Recreation supply facilities that do not involve structural development, and are not within one-quarter mile of Management Class 1 or Management Class 2 lakes, and not within one-half mile of Management Class 6 lakes, and that are not in conformance with the requirements for such activities in Section 10.27,S;

...

[Renumber all subsequent use listings accordingly.]

...

d. Special Exceptions

The following uses, and related accessory structures, may be allowed within P-SL subdistricts as special exceptions upon issuance of a permit from the Commission pursuant to 12 M.R.S.~~A.~~ §685-A(10), and subject to the applicable requirements set forth in Sub-Chapter III, provided that the applicant shows by substantial evidence that (a) the use can be buffered from those other uses and resources within the subdistrict with which it is

incompatible, and (b) such other conditions are met that the Commission may reasonably impose in accordance with the policies of the Comprehensive Land Use Plan:

(1) Commercial and industrial:

(a) Commercial and industrial structures of less than 8,000 square feet which rely on the water resource for their existence; and

(b) Recreation supply facilities that may involve structural development and are not within one-quarter mile of Management Class 1 or Management Class 2 lakes, and not within one-half mile of Management Class 6 lakes;

...

10.25 DEVELOPMENT STANDARDS

This section contains review standards for structures and uses that require issuance of a permit from the Commission, or as otherwise required in Sub-Chapter II. Except as herein provided, development not in conformance with the standards of this section is prohibited.

Nothing in this section shall preclude the Commission from imposing additional reasonable terms and conditions in its permits as the Commission may deem appropriate in order to satisfy the criteria for approval and purposes set forth in the Commission's statutes, rules and the Comprehensive Land Use Plan.

...

D. VEHICULAR CIRCULATION, ACCESS, AND PARKING

[Subdivision conceptual standards relating to access management, traffic movement, and roads have been included in Section 10.25,D,4,d to keep all standards relating to this topic in one place.]

1. **General Circulation.** Provision shall be made for vehicular access to and within the project premises in such a manner as to avoid traffic congestion and safeguard against hazards to traffic and pedestrians along existing roadways and within the project area. Development shall be located and designed so that the roadways and intersections in the vicinity of the development will be able to safely and efficiently handle the traffic attributable to the development in its fully operational stage.
2. **Access Management.** Access onto any roadway shall comply with all applicable Maine Department of Transportation safety standards. For subdivisions and commercial, industrial and other non-residential development, the following standards also apply:
 - a. The number and width of entrances and exits onto any roadway shall be limited to that necessary for safe entering and exiting.
 - b. Access shall be designed such that vehicles may exit the premises without backing onto any public roadway or shoulder.
 - c. Shared road access shall be implemented wherever practicable.
 - d. Access between the roadway and the property shall intersect the roadway at an angle as near to 90 degrees as site conditions allow, but in no case less than 60 degrees, ~~and shall have a curb radius of between 10 feet and 15 feet, with a preferred radius of 10 feet.~~

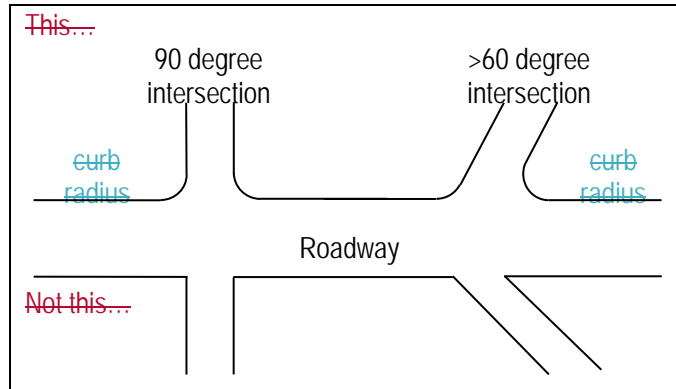


Figure 10.25,D-1. Intersection angle and curb radius.

- e. The Commission may require a traffic impact study of roadways and intersections in the vicinity of the proposed project site if the proposed development has the potential of generating significant amounts of traffic or if traffic safety or capacity deficiencies exist in the vicinity of the project site.
3. **Parking Layout and Design.** The following standards apply to all subdivisions and commercial, industrial and other non-residential development, except for parking areas associated with trailered ramps and hand-carry launches which are regulated under the provisions of Section 10.27,L:
- a. Sufficient parking shall be provided to meet the parking needs of the development. The minimum number of parking spaces required shall be based on parking generation rates determined in accordance with standard engineering practices. In cases where it is demonstrated that a particular structure can be occupied or use carried out with fewer spaces than required, the Commission may reduce number of required spaces upon finding that the proposed number of spaces will meet the parking needs of the structure or use and will not cause congestion or safety problems.
 - b. Parking areas and access roads shall be designed such that runoff water is discharged to a vegetated buffer as sheet flow or alternatively collected and allowed to discharge to a concentrated flow channel, wetland or water body at a rate similar to pre-construction conditions. If runoff water is discharged to a concentrated flow channel, wetland or water body, a sediment basin shall be constructed to collect sediment before the runoff water is discharged.
 - c. **On-street Parking.** In areas where on-street parking already exists, new development shall have on-street parking where practicable and if there are sufficient spaces available in the immediate vicinity. Otherwise, parallel or diagonal on-street parking is permitted where the Commission finds that it will adequately meet the parking needs of the development and will not cause congestion or safety problems. Perpendicular on-street parking is prohibited.
 - d. **Off-street Parking for Commercial, Industrial and other Non-residential Development.**
 - (1) Where practicable, off-street parking shall be located to the side or rear of the principal structure.
 - (2) Notwithstanding the dimensional requirements of Section 10.26, the Commission may reduce the minimum road setback requirement by up to 50 percent or to no less than 20 feet, whichever is greater, for development utilizing on-street parking in

accordance with Section 10.25,D,3,c or for development whose parking area is located to the rear of the principal structure, except where the Commission finds that such parking will cause an undue adverse impact to the natural resources or community character of the area.

- (3) Off-street parking shall not be directly accessible from any public roadway. Ingress and egress to parking areas shall be limited to driveway entrances.
 - (4) Off-street parking areas with more than two parking spaces shall be arranged so that each space can be used without moving another vehicle.
- e. Parking spaces shall not be placed in the required roadway vegetative buffer. However, a “sight triangle” shall be maintained 25 feet in length on each side of the intersection of the driveway and the roadway right-of-way, with the third side connecting the other two sides. Within each sight triangle, no landscape plants, other than low growing shrubs, shall be planted. These shrubs must be maintained to be no more than 30 inches in height above the driveway elevation.

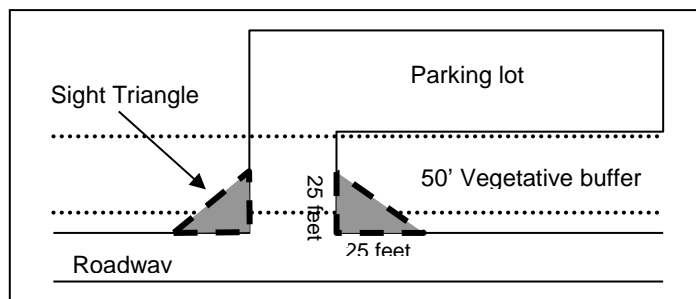


Figure 10.25,D-2. Sight triangle within a vegetative buffer.

- f. Except for sight triangles, parking areas for commercial, industrial or other non-residential development shall be visually buffered from the roadway by planting and maintaining a vegetative buffer of trees and shrubs or by locating parking areas to the rear of the principal structure.
- g. When parking areas associated with commercial, industrial or other non-residential development are adjacent to residential structures or uses, landscaping and/or architectural screens shall be used to provide an effective visual buffer and separation between property lines and the edge of the parking area.
- h. For parking areas associated with commercial, industrial or other non-residential development that are greater than one acre in size, a landscaping plan shall be developed and implemented that indicates planting locations, type and maintenance. The plan shall include the following:
 - (1) Parking areas shall have landscaped strips along the perimeter, as well as landscaped islands within the parking area.
 - (2) Expanses of parking area shall be broken up with landscaped islands that include shade trees and shrubs. Where possible, the area of ground left uncovered around the base of a tree must be at least equal to the diameter of the branch area or crown at maturity. Where not possible, adequate measures, including but not limited to soil enhancement techniques and underground irrigation, shall be used to ensure sufficient space for root growth and vegetative survival.

4. Subdivision and Development Roadway Design Specifications. The following standards apply to Level B and Level C road projects:

- a. Classification of Roadways.** The Commission shall determine which roadway classification is most appropriate for a particular project. For the purposes of Section 10.25,D,4, the following general criteria shall apply:
- (1) Class 1 Roadway. Generally appropriate for most projects surrounded by a relatively compact development pattern, for high-intensity commercial or industrial projects, and for residential subdivisions with 15 or more lots.
 - (2) Class 2 Roadway. Generally appropriate for low-intensity commercial or industrial projects surrounded by a relatively sparse development pattern and for residential subdivisions with fewer than 15 lots surrounded by a relatively sparse development pattern.
 - (3) Class 3 Roadway. Generally appropriate for low-intensity, small-scale commercial projects surrounded by a relatively sparse development pattern or located on an island.
- b. Determination of Classification.** In making its determination on the appropriate roadway classification, the Commission shall consider the following factors:
- (1) The number of lots served by the roadway or projected level of use;
 - (2) The nature of roadways accessing the project site;
 - (3) Location in relation to surrounding patterns of development;
 - (4) The level of development within the vicinity of the project;
 - (5) Natural and imposed limits on future development;
 - (6) The type and intensity of the proposed use; and
 - (7) Service by utilities or likelihood of service in the future.
- c. Roadway Design.**
- (1) ~~Where~~ To the fullest extent practicable, roadways ~~shall~~ must be designed to first minimize the use of ditching, fit the natural topography of the land such that cuts and fills are minimized, and then to minimize the overall length, minimize the use of ditching, and protect scenic vistas while preserving the scenic qualities of surrounding lands.
 - (2) ~~d.~~ d.—Roadways in towns and plantations within the Commission's ~~jurisdiction~~ service area that are proposed to be dedicated to the town or plantation shall also comply with the town's or plantation's roadway construction and design standards. The applicant shall clearly specify the ownership of all roadways proposed to be dedicated and shall submit a maintenance plan that includes roadway construction and design standards in accordance with the Commission's standards.
 - (3) e.—Roadways shall adhere to the applicable standards of Section 10.27,D and Section 10.27,H and the roadway specifications outlined in Table 10.25,D-1, below, unless the applicant utilizes site-specific best management practices and the Commission determines that proposed alternative roadway specifications will meet

the needs of the development and will not cause erosion or safety problems.

Maximum sustained grade for Class 1 roadways may be increased by up to five percent over that specified in Table 10.25,D-1 below, if no other option is practicable, provided that the roadway portion exceeding the maximum sustained grade standard is no longer than 300 feet in length and is greater than 150 feet from the next down-hill road intersection, and the Commission determines that the proposed alternative grade will not cause unreasonable drainage, erosion or public safety impacts.

	Class 1 Roadway	Class 2 Roadway	Class 3 Roadway
Minimum roadway surface width	18 ft. or 14 ft. with turnouts every 500 feet, on average.	14 ft. or 8 ft. with turnouts every 500 feet, on average.	8 ft.
Minimum base (coarse gravel)	18 in.	12 in.	As needed.
Minimum wearing surface	3 in. fine gravel or 2.5 in. bituminous concrete.	3 in. fine gravel or 2.5 in. bituminous concrete.	2 in. fine gravel.
Maximum sustained grade	10 percent	15 percent	15 percent

Table 10.25,D-1. Roadway construction specifications.

- (4) ~~f.~~—Roadways that will be co-utilized for forest management purposes shall include turnouts that are large enough to accommodate wood haulers and other large vehicles.

d. Additional Subdivision Road Standards.

- (1) Emergency Egress. All subdivisions that include a new interior road exceeding one-quarter mile in length must include provisions for all lot owners to have at least two ways of emergency egress from the development. Emergency egress may include: (i) egress by water for subdivisions on water bodies, provided there is a legally enforceable right of egress off the water body such as a public boat ramp or dock, and (ii) may include existing motorized trails maintained for public access, provided all lot owners have a legally enforceable right to access the trail.
- (2) New Entrances. Subdivision access must be limited to no more than two new entrances onto an existing roadway within any one-half mile section of the existing road. Also, where practicable for the proposed development site, subdivision roads must be designed such that new entrances onto existing roads are located directly across from existing entrances on the roadway, allowing for safe cross movement of traffic at the intersection.
- (3) Future Connectivity.

[The conceptual standard on reserving a right of way for future connectivity between abutting parcels was not carried forward into rule language due to potential legal complications associated with the right to construct a connector road between the two parcels in the future.]

- (a) Whenever there is remaining land on a parcel proposed for subdivision that is not included in the subdivision layout and design, the subdivision design must include provisions for future access to the remaining land to accommodate and minimize conflicts between proposed and future uses such as timber harvests, further lot development, or recreation.
 - (b) Right-of-way widths for internal subdivision roads must include sufficient room for future expansion. Rights-of-ways must be at least 50 feet in width.
- (4) Road and Infrastructure Maintenance.
- (a) Subdivision designs must include a plan for long-term maintenance of the subdivision access roads and common infrastructure, including but not limited to maintenance of drainage structures, water crossings, and road grading or resurfacing. The plan must include a list of inspection and maintenance tasks, recommended task frequency, and a responsible party.
 - (b) If an association is proposed for maintenance of roads and common infrastructure, documents necessary for establishing the association must be drafted and implemented. The documents must provide for mandatory lot owner or lessee membership, lot owner or lot lessee rights and privileges, association responsibilities and authority, operating procedures, proper capitalization to cover operating costs, and the subdivision developer's responsibilities until development sufficient to support the association has taken place. Responsibilities of the association must include the maintenance of common property, infrastructure, or facilities; assessing annual charges to all owners or lessees to cover expenses; and the power to place liens on property of members who fail to pay assessments.

E. NATURAL SCENIC CHARACTER, NATURAL AND HISTORIC FEATURES/CULTURAL RESOURCES

[In accordance with direction from Commissions, the conceptual standards for hillside development have been added to this section and written so that they would apply to most types of development.]

1. Scenic Character.

- a.** The design of proposed development shall take into account the scenic character of the surrounding area. Structures shall be located, designed and landscaped to reasonably minimize their visual impact on the surrounding area, particularly when viewed from existing roadways, with attention to designated scenic byways; major water bodies; coastal wetlands; permanent trails; or public property shorelines.
- b.** To the extent practicable, proposed structures and other visually intrusive development shall be placed in locations least likely to block or interrupt scenic views as seen from existing roadways, with attention to designated scenic byways, traveled ways, major water bodies, coastal wetlands, permanent trails, or public property.

[This rulemaking proposal includes the revised language above to establish consistency throughout this section.]

- ~~e. If a site includes a ridge elevated above surrounding areas, the design of the development shall preserve the natural character of the ridgeline.~~

2. Hillside Resources. The standards for hillside resources must be met for all subdivision, residential, commercial, industrial, and other non-residential development, if any portion of the project area is located on a hillside, except as provided in Section 10.25,E,2,a below.

- a. Exceptions.** The hillside resources standards in Sections 10.25,E,2,c through f do not apply to:
 - (1) Features of structures within non-residential developments that contain no floor area such as chimneys, towers, ventilators, and spires; or to freestanding towers and turbines; or
 - (2) A development or portions of a development that will not be visible from existing roadways, major water bodies, coastal wetlands, permanent trails, or public property located within three miles of the project boundary. Where views of the development are blocked by natural conditions or features such as existing vegetation, to qualify for this exception, the applicant shall demonstrate that these obstructing features or conditions will not be materially altered in the future by any uses allowed with or without a permit. In cases where the Commission determines the development will be visually intrusive or where there is a particularly sensitive resource more than three miles away, the Commission may increase the distance for determining applicability of the hillside standards.
- b. Stormwater Management.** The proposal must include plans for the construction and maintenance of stormwater best management practices designed to slow down and spread runoff from developed areas and ensure that increased runoff does not cause downgradient soil erosion.

- c. Ridgeline Protection.** The development must be designed to ensure buildings, structures, and other improvements will not extend above the existing ridgeline or otherwise alter the ridge profile significantly when viewed from existing roadways, major water bodies, coastal wetlands, permanent trails, or public property.
- d. Vegetative Clearing.** The proposal must include a vegetation management plan that establishes and provides for long-term maintenance of clearing limits that will minimize potential impacts to views from existing roadways, major water bodies, coastal wetlands, permanent trails, and public property. The vegetation management plan must ensure:
- (1) There will be a sufficient area of clearing allowed around buildings to maintain the minimum extent needed for defensible space for fire safety, generally 30 feet in width;
 - (2) There will be sufficient vegetation maintained on steep slopes to protect long-term slope stability;
 - (3) Existing forest cover will be maintained to interrupt the **view of the façade** of buildings, provide a forested backdrop to buildings, and reduce or eliminate the visual impact of new development;
 - (4) Clearing for views will be limited, with narrow view openings between trees and beneath tree canopies being a desirable alternative to clearing large openings adjacent to building facades; and
 - (5) If cleared openings are allowed outside the building envelope, such as clearing for views, the plan shall include a quantifiable standard for limiting that clearing. For example, an applicant may propose that any trees removed for views will not exceed a 25-foot width of clearcutting and extend, outward at an angle of 45 degrees or less on both sides, beyond a point down-slope where the tops of the trees are at the same elevation as the lowest adjacent grade for the principal building. The 25-foot opening may be located at any point along the down-slope boundary of the building envelope.
 - (6) The Commission may require additional vegetative clearing limitations or standards in cases where the proposed development could be visible from a scenic resource that has a unique or special value relative to other scenic resources in the area.
- e. Structural Development.** The development must provide for building designs that will complement the site and topography (e.g., avoiding long unbroken roof lines; orienting buildings such that the greatest horizontal dimension of the structure is parallel with, and not perpendicular to, the natural contour of the land; stepping the building down the slope rather than creating building pads that require extensive excavation and filling, and sloping roofs in the direction and general angle of the natural slope on the project site).
- f. Construction Materials.** The development must be designed to ensure that:
- (1) The exterior colors of structures, including but not limited to siding, roofing, retaining structures, foundations, trim, gutters, vents and chimneys, will be a muted tone naturally found at the specific site or in the surrounding landscape.
 - (2) Structures use only low or non-reflective exterior building materials, including but not limited to windows, roofing, gutters, vents, and chimneys. If a highly reflective material, such as aluminum or other smooth metal, is used for an essential component of the structure because no other material is reasonably available for that component, reduced reflectivity must be incorporated and maintained to the greatest extent

practicable by, for example, painting the component with a muted color naturally found at the site, boxing in the component with non-reflective material, or using a textured or pre-weathered version of the component.

g. **Linear Infrastructure.** Roads, driveways, utility corridors, and other similar linear infrastructure must be located and constructed so as to minimize the visibility of corridor openings to the extent practicable (by, for example, following topographic contours and retaining existing vegetation).

h. **Lighting.** All lighting for the development must comply with the standards of Section 10.25.F.

3. ~~2.~~ Natural and Historic Resources Features.

~~a. **Natural Features.** If any portion of a subdivision or commercial, industrial or other non-residential project site includes critically imperiled (S1) or imperiled (S2) natural communities or plant species, the applicant shall demonstrate that there will be no undue adverse impact on the community and species the site supports and indicate appropriate measures for the preservation of the values that qualify the site for such designation.~~

b. **Historic Features.** If any portion of a subdivision or commercial, industrial or other non-residential project site includes an archaeologically sensitive area or a structure listed in the National Register of Historic Places, or is considered by the Maine Historic Preservation Commission or other pertinent authority as likely to contain a significant archaeological site or structure, the applicant shall conduct archaeological surveys or submit information on the structure, as requested by the appropriate authority. If a significant archaeological site or structure is located in the project area, the applicant shall demonstrate that there will be no undue adverse impact to the archaeological site or structure, either by project design, physical or legal protection, or by appropriate archaeological excavation or mitigation.

[The paragraph on natural features has been renamed to Plant Species and Communities, and moved in its entirety to Section 10.25,P,4.]

F. NOISE AND LIGHTING

1. Noise.

- a.** The maximum permissible sound pressure level of any continuous, regular or frequent source of sound produced by any commercial, industrial and other non-residential development shall be as established by the time period and type of land use subdistrict listed below. Sound pressure levels shall be measured at all property boundary lines, at a height of at least 4 feet above the ground surface. The levels specified below may be exceeded by 10 dB(A) for a single period, no longer than 15 minutes per day.

Subdistrict (Category)	7:00 AM to 7:00 PM	7:00 PM to 7:00 AM
D-CI, D-MT, D-RB (<i>Category 3</i>), and D-ES	70 dB(A)	65 dB(A)
D-GN, D-GN2, D-RB (<i>Categories 1 & 2</i>), D-RF , and D-RB (<i>Categories 1 & 2</i>), D-RD	65 dB(A)	55 dB(A)
D-PD, D-PR	As determined by the Commission.	
All Other Subdistricts	55 dB(A)	45 dB(A)

Table 10.25,F-1. Sound pressure level limits.

...

P. PROTECTED NATURAL RESOURCES

...

3. High Mountain Areas.

The review standards of Section 10.25,P,1 apply to alterations for Uses Requiring a Permit and Special Exceptions in Section 10.23,G,3,c and d.

- 4. Plant Species and Communities.** If any portion of a subdivision or commercial, industrial or other non-residential project site includes critically imperiled (S1) or imperiled (S2) natural communities or plant species, the applicant must demonstrate that there will be no undue adverse impact on the community and species the site supports, and indicate appropriate measures for the preservation of the values that qualify the site/community or species for such designation.

~~5.4.~~ **Coastal Sand Dune Systems.** (Reserved)

~~6.5.~~ **Community Public Water System Primary Protection Areas.** (Reserved)

~~7.6.~~ **Significant Wildlife Habitat.** (Reserved)

Q. SUBDIVISION AND LOT CREATION

This section governs the division of lots and the creation of subdivisions.

1. Counting Parcels, Lots, or Dwelling Units Under the Definition of Subdivision.

- a. **Lots Created by Dividing a Parcel.** When a parcel is divided, the land retained by the person dividing land is always counted in determining the number of lots created unless the lot retained qualifies for any of the exemptions listed in Section 10.25,Q,1,g below. This figure illustrates two examples:

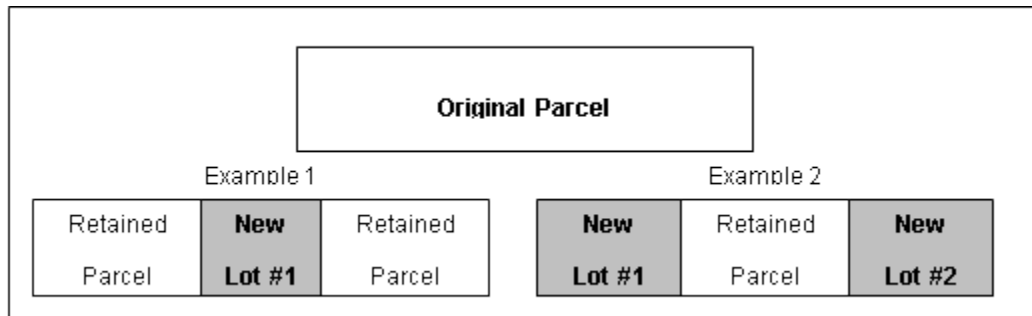


Figure 10.25,Q-1. Two examples where two new lot lines were drawn, each resulting in the creation of three parcels.

- b. **Subdivision Created by the Placement of Dwelling Units.** The placement of three or more dwelling units on a single lot within a five-year period creates a subdivision. The division of one lot into two parcels coupled with the placement of one or two dwelling units on either or both lots does not create a subdivision.
- c. **Parcels Originally Part of a Subdivision.** A lot or parcel which, when sold, leased or developed, was not part of a subdivision but subsequently became part of a subdivision by reason of another division by another landowner is counted as a lot under the subdivision definition. The Commission, however, will not require a subdivision permit be obtained for such lot, unless the intent of such transfer or development is to avoid the objectives of 12 M.R.S.A. Chapter §206-A.
- d. **Remote Rental Cabins.** In order to foster primitive recreational opportunities on large tracts of land, up to eight remote rental cabins within a single contiguous ownership larger than 5,000 acres within a township shall be allowed without subdivision review. Placement of more than eight remote rental cabins within such an ownership requires subdivision review by the Commission.
- e. **Renewal of Leases.** For the purpose of counting lots under the Commission's definition of subdivision, the renewal of a lease within a Commission approved subdivision shall not be counted as the creation of a lot. For the renewal of leases in other than Commission approved subdivisions, a lease that is renewed within two ~~(2)~~ years of its expiration shall not be counted as the creation of a lot. Renewal of leases in other circumstances shall be counted as the creation of a lot.
- f. **Existing parcels.** For the purposes of the definition of subdivision in 12 M.R.S.A. §682(2-A) and in these rules, an "existing parcel" shall include the contiguous area within one

township, plantation, or town owned or leased by one person or group of persons in common ownership.

- g. Exempt lots.** The following divisions are exempt when counting lots for purposes of subdivision, unless the intent of such transfer is to avoid the objectives of 12 M.R.S. Chapter 206-A:
- (1) **Transfer of Lots for Forest Management, Agricultural Management or Conservation of Natural Resources.** A lot or parcel is not considered a subdivision lot if the following conditions are met:
 - (a) The lot is transferred and managed solely for forest management, agricultural management or conservation of natural resources;
 - (b) The lot is at least 40 acres in size;
 - (c) If the lot is less than 1,000 acres in size, no portion of the lot is located within 1,320 feet of the normal high water mark of any great pond or river or within 250 feet of the upland edge of a coastal or freshwater wetland as these terms are defined in 38 M.R.S. §436-A;
 - (d) The original parcel from which the lot was divided is divided into an aggregate of no more than 10 lots within any 5-year period; and
 - (e) When 3 to 10 lots each containing at least 40 acres in size are created within any 5-year period, a plan is recorded in accordance with 12 M.R.S. §685-B(6-A). Any subsequent division of a lot created from the original parcel within 10 years of the recording of the plan in the registry of deeds or any structural development unrelated to forest management, agricultural management or conservation creates a subdivision and may not occur without prior commission approval. 12 M.R.S. §682-B(4).
 - (2) **Retained Lots.** A lot is not counted as a lot for the purposes of subdivision if it is retained by the person dividing the land, and for a period of at least 5 years:
 - (a) is retained and not sold, platted, leased, conveyed or further divided, except for transfer to an abutter pursuant to Section 10.25,Q,1,g,(3) below; and
 - (b) is used solely for forest or agricultural management activities and associated structures and development such as buildings to store equipment or materials used in forest or agricultural management activities, land management roads, driveways consistent with forest or agricultural management activities, or natural resource conservation purposes.

Only one retained lot exempt under this Section 10.25,Q,1,g,(2) may be created from any one existing parcel.
 - (3) **Transfers to an Abutter and Contiguous Lots.** A lot transferred to an abutting owner of land is not counted as a lot for the purposes of subdivision provided the transferred property and the abutter's contiguous property is maintained as a single merged parcel of land for a period of 5 years. Where a lot is transferred to an abutter, or two or more contiguous lots are held by one person, the contiguous lots are considered merged for regulatory purposes except for:

- (a) lots that are part of a subdivision approved by the Commission;
- (b) a land division certified by the Commission as qualifying under 12 M.R.S. ~~A~~ §682-B; or
- (c) as provided in Section 10.11.

If the property exempted under this paragraph is transferred within 5 years to another person without all of the merged land, or without satisfying either subparagraph (a), (b), or (c) above, then the previously exempt division creates a lot or lots for purposes of Section 10.25,Q.

- (4) Divisions by Inheritance, Court Order, or Gifts. Divisions of land accomplished solely by inheritance, or by court order, to a person related to the donor by blood, marriage, or adoption are not counted as lots for the purposes of this subsection.

A division of land accomplished by bona fide gift, without any consideration paid or received, to a spouse, parent, grandparent, child, grandchild or sibling of the donor of the lot or parcel does not create a subdivision lot if the donor has owned the lot or parcel for a continuous period of 5 years immediately preceding the division by gift and the lot or parcel is not further divided or transferred within 5 years from the date of division. 12 M.R.S. ~~A~~ §682-B(1)

- (5) Conservation Lots. A lot or parcel transferred to a nonprofit, tax-exempt nature conservation organization qualifying under the United States Internal Revenue Code, Section 501(c)(3) is not considered a subdivision lot if the following conditions are met:
 - (a) For a period of at least 20 years following the transfer, the lot or parcel must be limited by deed restriction or conservation easement for the protection of wildlife habitat or ecologically sensitive areas or for public outdoor recreation; and
 - (b) The lot or parcel is not further divided or transferred except to another qualifying nonprofit, tax-exempt nature conservation organization or governmental entity. 12 M.R.S. ~~A~~ §682-B(3)
- (6) Transfer to Governmental Entity. A lot or parcel transferred to a municipality or county of the State, the State or an agency of the State, or an agency of the Federal government is not considered a subdivision lot if the following conditions are met:
 - (a) The lot or parcel is held by the governmental entity for the conservation and protection of natural resources, public outdoor recreation or other bona fide public purposes and is not further sold or divided for a period of 20 years following the date of transfer; and
 - (b) At the time of transfer the transferee provides written notice to the commission of transfer of the lot or parcel, including certification that the lot or parcel qualifies for exemption under this subsection. 12 M.R.S. ~~A~~ §682-B(2)
- (7) Large Lots Managed for Forest or Agricultural Management Activities or Conservation. A lot transferred or retained following transfer containing at least 5,000 acres is not counted as a lot for the purposes of this subsection, provided the lot is managed solely for the purposes of forest or agricultural management activities or

conservation and the lot is not further divided for a period of at least 5 years. Nothing in this paragraph, however, shall be construed to prohibit public outdoor recreation on the lot.

- (8) **Unauthorized Subdivision Lots in Existence For at Least 20 Years.** A lot or parcel that when sold or leased created a subdivision requiring a permit under this chapter is not considered a subdivision lot and is exempt from the permit requirement if the permit has not been obtained and the subdivision has been in existence for 20 or more years. A lot or parcel is considered a subdivision lot and is not exempt under this subsection if:
- (a) Approval of the subdivision under 12 M.R.S. ~~§~~ §685-B was denied by the Commission and record of the Commission's decision was recorded in the appropriate registry of deeds;
 - (b) A building permit for the lot or parcel was denied by the Commission under 12 M.R.S. ~~§~~ §685-B and record of the Commission's decision was recorded in the appropriate registry of deeds;
 - (c) The Commission has filed a notice of violation of 12 M.R.S. ~~§~~ §685-B with respect to the subdivision in the appropriate registry of deeds; or
 - (d) The lot or parcel has been the subject of an enforcement action or order and record of that action or order was recorded in the appropriate registry of deeds. 12 M.R.S. ~~§~~ §682-B(5)

[REVISION NOTE: The remainder of Chapter 10, Section 10.25,Q has been repealed and replaced with the following language.]

2. Spaghetti-lots. A person may not divide any parcel of land in such a way as to create a spaghetti-lot. This prohibition does not apply to utility or transportation rights-of-ways, government purchases, or a parcel of land that the Commission determines has significant public benefit and cannot be configured in any other way in order to provide that benefit. 12 M.R.S. §682-A

3. General Standards for All Subdivision Layouts.

a. Locations and Layouts.

Chapter 10, Subchapter II identifies the subdivision types and densities that are allowed in individual land use subdistricts. In addition, the following standards apply to subdivision developments:

- (1) **Residential Subdivisions.** All residential subdivisions shall be designed consistent with Table 10.25,Q-3, Location and Layout Overview.
- (2) **General Management Subdivisions.** Any subdivision that meets all of the criteria in Section 10.25,Q,3,a,(2),(a) through (g) below is considered a general management subdivision. For purposes of this section, "aggregate land area" includes lots to be offered and all roads and other infrastructure associated with the subdivision, but

excludes common open space preserved and maintained in accordance with Section 10.25,S. A general management subdivision:

- (a) Is a division within any 5-year period of an existing parcel of land within a single contiguous ownership into 3 to 14 lots or dwelling units;
- (b) Occupies an aggregate land area of less than 30 acres;
- (c) Is located within a primary location and wholly located within one-half mile of a public roadway;
- (d) Is located more than one-half mile from a major water body;
- (e) Is located wholly on land within an M-GN subdistrict, except that up to 20 percent of the aggregate land area may consist of protection subdistricts for minor flowing waters or wetlands at the time of the filing of a subdivision application;
- (f) Is a high-density or moderate-density subdivision as defined in Section 10.02, and is designed consistent with Table 10.25,Q-1, Location and Layout Overview; and
- (g) Is in a location where the county, nearby municipality, or other service provider is willing to and will be able to provide fire and ambulance services consistent with Section 10.08,B,2,a.

Table 10.25,Q-3. Location and Layout Overview

	Allowed Subdivision Layouts			
	Basic	Clustered	FlexDesign	Rural Lot
	<i>High- and Moderate-Density</i>			<i>Low-Density</i>
Residential Subdivisions⁴				
Inland (More than one-half mile from a major water body)	Yes	Yes	Yes	Yes
Shoreland (Management Class 3 and 7 Lakes)	Yes	Yes	Yes	No
Shoreland (Management Class 4 Lakes)	No	Yes	Yes	No
Shoreland with Heavy Development (Lakes exceeding CLUP density guidelines ^{5,6})	No	Yes	Yes	No
General Management Subdivisions				

⁴ Chapter 10, Subchapter II establishes where residential subdivisions may be located and what subdivision densities are allowed in the use listings for certain land use subdistricts. Criteria for adoption or amendment of land use districts are established in Sections 10.08 and 10.08-A.

⁵ Lakes exceeding CLUP density guidelines are lakes having more than one development unit per 10 acres of lake surface area, or having more than one development unit per 400 feet of shore frontage, taken as an average around the entire lake shore.

⁶ This category includes, but is not limited to Management Class 5 lakes.

Inland	Yes	Yes	Yes	No
--------	-----	-----	-----	----

[In the previous Subdivision Conceptual Layouts and Standards document, this table was divided by primary and secondary locations, and outside primary and secondary locations. The intent was to illustrate the larger picture, so there was overlap between zoning criteria and subdivision standards. In this revised table, we have removed criteria related to zoning that are addressed in the Adjacency Rulemaking package, and consolidated and simplified the table format. For most new residential subdivisions, it is likely that rezoning the property would be required as a first step. To illustrate, consider a proposal for a new D-RS subdistrict in a primary location. The proposed zoning criteria for determining whether the project site is a suitable location for a D-RS subdistrict is found in Section 10.08 and 10.08-A. If the D-RS subdistrict is adopted, the proposed use listings in Subchapter II would allow for a moderate-density or high-density subdivision within the primary location. Table 10.25,Q-1 shows, in the subdivision standards, what layout options are available in the new D-RS subdistrict depending on the project location relative to shorelands. General Management subdivisions, which are allowed without rezoning in M-GN subdistricts were also added to the table.]

- (3) Maple Sugar Processing Subdivisions. Subdivisions containing lots created by lease for the purpose of establishing and operating commercial maple sugar processing operations that meet all of the following criteria are maple sugar processing subdivisions:
- (a) The maximum number of leased lots shall be no more than one per every 300 acres of the lot or parcel being subdivided⁷;
 - (b) The maximum size of each leased lot shall be no more than 4 acres;
 - (c) Any two leased lots in a maple sugar subdivision may be located less than 1,000 feet from each other; these lots will be considered a set of lots for the purpose of determining leased lot separation;
 - (d) Each set of leased lots must be separated from any other leased lot or set of leased lots in the subdivision by a minimum of 1,000 feet, measured horizontally from the closest point between lots or sets of leased lots; and

⁷ Calculated by dividing the total acreage of the lot or parcel being subdivided by 300 and rounding down to the nearest whole number.

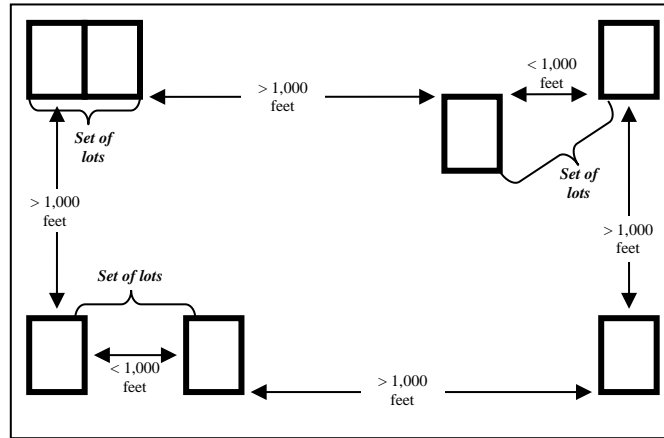


Figure 10.25,Q-2. Leased lots in maple sugar subdivisions.

- (e) Fee ownership in each of the leased lots shall only be transferred as part of a sale of the entire parcel originally so subdivided, or with a deed restriction requiring that the lot be used only for commercial maple syrup production unless the Commission, or its legal successor in function, releases the restriction and records such release in the registry of deeds.

The following general standards in Section 10.25,Q,3,b through g for subdivision layouts do not apply to maple sugar processing subdivisions.

[This section on maple sugar processing subdivisions has been relocated in its entirety from Subchapter II, Land Use Districts, Sections 10.21,I (Rural Business Development Subdistricts) and 10.22,A (General Management Subdistricts) to consolidate the standards for all types of subdivisions.]

b. Harmonious Fit.

- (1) Subdivisions shall be designed to harmoniously fit into the natural environment and shall cause no undue adverse impact on existing surrounding uses. When determining “harmonious fit”, the Commission shall consider the existing character of the surrounding area, potential for conflict with surrounding uses, proposed driveway and roadway locations, and proposed lot sizes, among other factors.
- (2) Subdivisions proposed with mixed residential, commercial, or civic uses shall also meet the following requirements:
 - (a) Commercial uses must fit the size, scale, and intensity of the surrounding residential uses; and
 - (b) A combination of residential, commercial, or civic uses on a single lot is allowed only if the most restrictive dimensional requirements, as provided in Section 10.26, are met and provided that the commercial or civic uses are otherwise compatible with residential uses.

c. Building Envelopes.

- (1) Building envelopes shall be identified on each lot, designating suitable areas where structural development and permanently maintained cleared openings may occur. Activities not counted as permanently maintained cleared openings include a single

driveway for access to the building envelope, cleared areas that are mowed less than twice a year, areas used for agricultural management activities, and trails for recreational access.

- (2) Building envelopes shall be shown and labeled on the subdivision plat. In addition, building envelope requirements shall be included in deed covenants for each lot specifying that structural development and permanently maintained cleared openings shall be located within the building envelope as shown on the Commission approved subdivision plan, as it may be amended from time to time.
- (3) Building envelopes shall be located and sized to allow conformance with the Commission's dimensional requirements in terms of minimum water body, road, and property line setbacks, and maximum lot coverage requirements, as provided in Section 10.26; and vegetation clearing standards for shorelines and public roads, as provided in Section 10.27.
- (4) Where practicable, building envelopes shall be arranged:
 - (a) In groups, allowing for larger open areas between groups of building envelopes;
 - (b) To avoid placement along ridgelines, on prime farm land soils, in wetlands or drainage areas, on sustained slopes greater than 20 percent, or over any other topographic or natural features important to the site; and
 - (c) To maximize privacy afforded to each dwelling unit, such as providing sufficient buffering vegetation and staggering building envelopes.

d. Common Open Space.

- (1) Unless another configuration better achieves the Commission's natural and cultural resource goals, any common open space proposed for the subdivision shall be preserved in large, contiguous blocks that connect with off-site undeveloped land to form a continuous integrated open space system.
- (2) Significant wildlife habitats, imperiled and critically imperiled natural plant communities, and a minimum 250-foot undisturbed buffer around the boundaries of those habitats shall be included in common open space.
- (3) The subdivision design shall include suitable common open space for wildlife passage, at least 500 feet in width, around or through the development. The wildlife passage shall be located along the side of flowing waters or wetlands, in a way that links high value wildlife habitats on or off the property, along the property line of any abutting conserved land, or adjacent to one of the boundary lines of the subdivision, to the extent practicable. In addition, lots shall be configured so that groups of lots are separated by at least 500 feet of undeveloped land such that lots within a group do not extend more than 1,320 feet along the existing access road or shoreline.

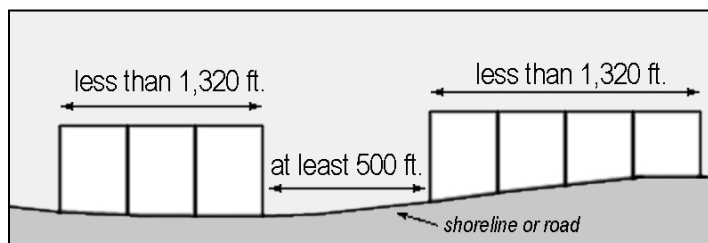


Figure 10.25,Q-3. Grouping of subdivision lots along a roadway or shoreline.

- (a) In cases where the subdivision design consists of four or fewer lots encompassing the entire existing parcel, and where the Commission has determined provision for wildlife passage exists within one-quarter mile of the parcel, the Commission may allow subdivision designs without common open space for wildlife passage.
 - (b) In cases of subdivisions that constitute “in-fill” development, on parcels surrounded by existing development, for which designated common open space would be an isolated pocket providing little long-term value, the Commission may also allow subdivision designs without common open space for wildlife passage.
- (4) In cases where an existing recreational resource managed for public access, such as a motorized or non-motorized trail, or boat launch, is located in or within 1,000 feet of the project boundary, the subdivision design must include provisions to ensure lot owners or lessees in the subdivision will not cause undue adverse impacts to intervening landowners from informal trail building. If access to the recreational resource is provided for lot owners or lessees that access must be legally enforceable by the lot owners or lessees.
 - (5) Common open space within the subdivision shall be preserved and maintained in accordance with the Commission’s Chapter 10 rules, Section 10.25,S.
 - (6) Subdivision Redistricting Considerations. Subdivisions are allowed only in appropriate subdistricts, as designated in Sub-Chapter II. However, the Commission may approve subdivisions that include land area designated as common open space within subdistricts where subdivision is otherwise prohibited, provided the designated land area meets the requirements of Section 10.25,S.

e. Shoreland Development.

- (1) Shoreland subdivisions that include shoreline frontage on a major water body, shall include one of the following, except as allowed in Section 10.25,Q,3,e,(2) below:
 - (a) Non-waterfront lots that equal or exceed the number of waterfront lots in the layout;
 - (b) An area reserved for future layout and development of non-waterfront lots that is equal to or exceeds the area of waterfront lots in the layout; or
 - (c) A non-linear design that incorporates a majority of the waterfront in common ownership.
- (2) In cases where the Commission finds site specific constraints such as sustained steep slopes or wetlands do not allow for development of non-waterfront lots anywhere on the parcel, the Commission may allow an alternative layout for a project site.
- (3) Shoreland subdivisions with shoreline frontage shall also include provisions for useable common access to the water for all lots in the subdivision and for any future lots in reserve areas. Common water access shall not be located in open space designated for habitat protection or wildlife passage.

- (4) Proposed permanent docks, trailered ramps, hand-carry launches or water-access ways shall comply with the requirements of Section 10.27,L,2.
- (5) Designs shall include and provide for maintenance of best management practices for control of phosphorus in accordance with Section 10.25,L.

f. Legal Right of Access to Subdivision Lots. Any lot in a subdivision created after **[Insert effective date of rule change]** must be accessible from a public road by a legal right of access. This legal right of access may be by road or by water.

- (1) Road Access. A legal right of access by road exists when the subdivision land:
 - (a) Abuts a public road; or
 - (b) Benefits from an easement, appurtenant to the land, that provides for vehicular access.

Under either option, if the road over which legal access is provided does not exist, it must be reasonable that the road could be built. Additionally, the legal access provided must be sufficient to support the land uses allowed in the subdivision, including any associated construction, maintenance, and use of structures. An easement providing for vehicular access may contain reasonable provisions to minimize the burden on the underlying fee owner, such as provisions that: allow for closure of the road during spring mud conditions; allow for closure during the winter to avoid snow plowing, provided pedestrian and snowmobile access is allowed; and establish road standards and reasonable maintenance expectations and responsibilities.

- (2) Access by water. A legal right of access by water exists when the subdivision land reasonably may be accessed by boat from a public or private boat launch, provided the boat launch is accessible by road access consistent with Section 10.25,Q,3,f,(1) above. Additionally provided, when the subdivision land will be accessed by boat from a private boat launch, all lot owners will have a legally enforceable right to use and ensure continued maintenance of the boat launch.

[This language mirrors the language proposed for legal right of access in the adjacency rulemaking proposal, Section 10.08-A,E, when land proposed for rezoning is required to be accessible from a public road by legal right of access.]

- (3) Leased Lot Exception. The legal right of access requirement for subdivision lots contained in Section 10.25,Q,3,f does not apply to subdivision lots leased on an annual basis for fair market value consideration, and where both the lessor and lessee have the legal right to not renew the lease, subject to applicable statutory notice requirements, regardless of cause. However, as part of the sale of any such leased lot in a subdivision created after **[Insert effective date of rule change]**, the seller shall grant the buyer a legal right of access that satisfies Section 10.25,Q,3,f,(1) or (2).

g. Emergency Services Waiver. For all proposed subdivisions located in subdistricts for which an emergency services waiver was granted by the Commission, the applicant must demonstrate that sufficient notice of the absence of emergency services will be provided to all subsequent owners of property within the subdivision, including use of a specific note on the plat and any deed for a lot within such a subdivision.

- h. Recreational Resource Capacity for Recreation-based Subdivisions.** A recreation-based subdivision must be integrated with a recreational resource. In cases where the recreational resource does not have sufficient capacity to accommodate all of the lot owners in the subdivision, the subdivision proposal must include provisions to adequately increase capacity of the resource. Factors that the Commission will consider in evaluating resource capacity include, but are not limited to, the amount of parking, availability of wastewater disposal facilities, and evidence of unstable or eroding soils due to overuse.

4. Layout Specific Standards.

The Commission has adopted additional subdivision standards for four different layouts, Basic, Clustered, Rural Lot, and FlexDesign.

- a. Basic Subdivisions.** Basic subdivisions must meet all general standards in Section 10.25,Q,3, and the following layout specific standards:

- (1) Building envelope size shall be limited to no greater than 40 percent of the size of each lot.

- (2) For Recreation-based Subdivisions using the Basic Layout:

- (a) The subdivisions shall meet the required common open space percentage in Section 10.25,Q,4,a,(2),(b) below, unless the subdivision:

- (i) Abuts or is located within one-quarter mile of permanently conserved land, or

- (ii) Includes provisions for the preservation of near-by, off-site open space.

The conserved land specified in (i) and (ii) above must be equal to or greater than the required common open space, both in total contiguous area and shoreline frontage.

In cases where the subdivision abuts permanently conserved land, all building envelopes shall be at least 100 feet from the boundary line of the conserved parcel.

- (b) **Common Open Space Percentage.** For recreation-based subdivisions, the total common open space shall include at least 40 percent of the net developable land area and 40 percent of the net developable shorefront for shoreland developments.
- (c) **Recreational Trail Incentive.** For recreation-based subdivisions, the total common open space percentage for the subdivision may be reduced by 5 percent if an existing trail on the property is included in common open space or a new trail is constructed in common open space. An additional 5 percent reduction may be allowed if the on-site trail connects with an existing off-site trail managed for public access. Common open space requirements for habitat protection and wildlife passage shall still be met, and trail construction shall not be located in common open space designated for habitat protection or wildlife passage.

- b. Clustered Subdivisions.** Clustered subdivisions must meet all general standards in Section 10.25,Q,3, except as provided in Sections 10.25,Q,4,b,(1) through (3) below:

- (1) **Density and Dimensional Requirements for Clustered Layouts.** Chapter 10, Subchapter II identifies the subdivision densities that are allowed in individual land use subdistricts. Depending on the subdistrict, clustered layouts can use a moderate or high-density design. Subdivision densities are defined in Section 10.02.
- (a) The Commission may reduce the minimum lot size for moderate density designs provided the lot density requirement for the subdivision is met in the aggregate, inclusive of proposed common open space; and may reduce the minimum road frontage or shoreline frontage for individual lots in both moderate- and high-density designs, provided, in the aggregate, these dimensional requirements are met within the development.
- (b) In addition, the Commission may reduce dimensional requirements, in the aggregate, provided:
- (i) Dimensional requirements, in the aggregate, are not reduced by more than 50 percent;
 - (ii) Site conditions are suitable for more concentrated development on some portions of a site and such concentrated development will not adversely affect resources; and
 - (iii) The specific benefits afforded by the cluster approach will prevent the loss of or enhance the conservation of important natural features.
- (2) **Common Open Space.**
- (a) Clustered subdivisions shall be designed to protect developable land as common open space through (i) clusters of dwellings on commonly-owned land; (ii) creation of individual lots with reduced lot size, reduced road frontage or, within shoreland developments, reduced shoreline frontage as permitted under these rules; or (iii) a decrease in the number of individual lots that meet dimensional requirements.

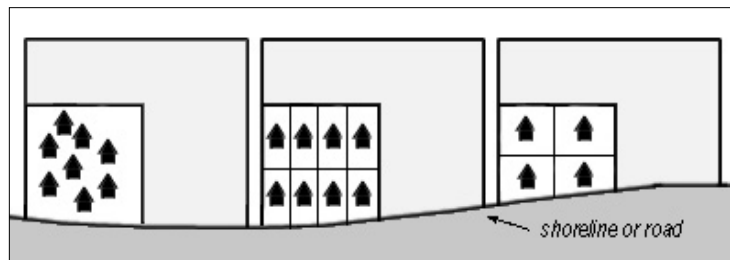


Figure 10.25,Q-4. From left to right, (1) clustering on a commonly-owned parcel, (2) clustering on individual parcels with reduced lot size and frontage, and (3) clustering on individual parcels without reduced lot size or frontage.

- (b) **Common Open Space Percentage.** The total designated common open space shall include at least 50 percent of the net developable land area and 50 percent of the net developable shoreline for shoreland developments.
- (c) The Commission may allow subsurface wastewater disposal systems in designated common open space, provided there is no other practicable alternative, appropriate legal provisions are made for maintenance, access, and

replacement; and the systems will not be located in areas designated for wildlife passage or habitat protection.

- (3) **Shoreland Development.** Shoreland developments using a clustered subdivision layout shall include non-waterfront lots that equal or exceed the number of water front lots in the layout. The general standard provision for using reserved area for future growth in lieu of non-waterfront lots is not allowed in this layout (Sections 10.25,Q,3,e,(1) and (2)).

c. Rural Lot Subdivisions. Rural Lot subdivisions must meet all general standards in Section 10.25,Q,3, except as provided in Sections 10.25,Q,4,c,(1) through (5) below.

- (1) All building envelopes shall be located in the front third of the lot to leave the back two thirds available for open space and wildlife passage.
- (2) Building envelopes shall be no greater than two acres in size.
- (3) Design of the subdivision road shall minimize fragmentation and indirect impacts on wildlife habitat by using practices such as minimizing the length of new roads to less than one-quarter mile where practicable, locating new roads proximate to existing on-site or off-site development or infrastructure, and locating new roads closer to one of the existing parcel lines.
- (4) The design shall include suitable space for wildlife passage. The wildlife passage may be on individual lots; however, it shall be outside designated building envelopes and at least 500 feet in width, extending around or through the development. In addition, the area for wildlife passage shall be located along the side of flowing waters or wetlands, in a way that links high value wildlife habitats on or off the property, along the property line of any abutting conserved land, or adjacent to a property line, to the extent practicable.
- (5) The access provision for existing trails in Section 10.25,Q,3,d,(4) applies to Rural Lot subdivisions. Otherwise, the common open space provisions in Section 10.25,Q,3,d do not apply to this layout.

d. FlexDesign Subdivisions. The FlexDesign subdivision is a customized approach to subdivision layout and design. The only general standards in Section 10.25,Q,3 that apply to FlexDesign subdivisions are Sections 10.25,Q,3,a,c, and f; the standards of Section 10.25,Q,4,d apply.

- (1) **Subdivision Objectives.** FlexDesign subdivisions shall meet the Commission's local scale subdivision design objectives, as follows:
 - (a) **Good Fit.** Ensure well thought-out subdivision designs and quality infrastructure construction that are consistent with the local area's character, culture, land uses, and housing market; fit into the landscape to minimize the footprint and complexity of infrastructure, encourage continued timber and wood fiber production where appropriate, and protect existing resources where appropriate. Good fit recognizes the diversity of different regions.
 - (b) **Limited Resources.** Provide for efficient use of limited land resources such as shorelines, frontage on public roads, and suitable soils to encourage more capacity for residential development in appropriate locations and create efficiencies in the provision of services such as roads, communication

- infrastructure, emergency services, schools, solid waste disposal, and recreation.
- (c) **High Value Resources.** Protect on-site and nearby high value resources including important farmlands, scenic resources, cultural features, wildlife habitats, water bodies, wetlands, and other natural areas through good design, open space connectivity, and off-site conservation when appropriate to mitigate adverse impact on these resources.
 - (d) **Recreational Resources.** Ensure that subdivision designs provide adequate access to on-site or off-site recreational opportunities to accommodate new residents and prevent negative impacts on existing public or private recreation resources, and encourage designs that provide access to a variety of, and interconnectivity between, recreational opportunities, where available.
 - (e) **Adequate Infrastructure.** Ensure adequate infrastructure that has been designed to efficiently and effectively maximize public health and safety, allow efficient provision of public services, and minimize the cost of operation and maintenance, including provisions for systems that have interconnectivity, sufficient capacity, and resiliency in extreme weather events.
- (2) **Subdivision Design.** The development of the sketch plan for FlexDesign subdivisions shall be consistent with the following design approach:
- (a) **Step One. Identify Priority and Supplemental Conservation Areas.** Identify the priority conservation areas, using existing information from State natural resource agencies and landowner knowledge, that shall be considered for inclusion within common open space. Priority conservation areas include those areas of the parcel containing or supporting protected natural resources such as significant wildlife habitat, water bodies and wetlands; buffer areas to protect those resources; areas needed for wildlife passage around or through the development; imperiled and critically imperiled natural plant communities; special flood hazard areas; and sustained steep slopes (greater than 20 percent). Also, identify any supplemental conservation areas, features that the landowner has determined warrant secondary consideration for inclusion within common open space or protection from development, including other areas not well-suited for development, existing trails, areas with connection to off-site open space, open fields, or other special features of the property that are important to maximize opportunities such as protecting significant viewsheds and providing solar access, and meet the applicant’s design goals for the subdivision.
 - (b) **Step Two. Locate Building Envelopes.** Building envelopes shall be located outside of priority conservation areas, and to the maximum extent feasible, should be located outside of supplemental conservation areas, as delineated in Step One. Building envelopes shall include sufficient area suitable for development and be located to reflect the Commission’s local scale subdivision design objectives, outlined in Section 10.25,Q,4,d,(1) above, as well as the applicant’s design goals for the subdivision. The placement of building envelopes and lot lines shall consider minimizing the creation of edges⁸

⁸ In this context, “edge” relates to the boundary between areas of human activity such as lawns and roads, and undeveloped natural areas, such as meadows and forests. Where an edge exists along a natural area, native wildlife species can be adversely affected for a distance from the edge, often called “the edge effect.”

- between developed areas and open space, and consider the cultural and natural features of the landscape to the greatest extent possible (e.g., follow stone walls, lines of boundary trees, and streams). Locations of building envelopes should also consider the privacy provided for individual homeowners.
- (c) **Step Three. Align Roads and Trails.** The minimum length and network of roads necessary to access each lot shall be identified, subject to the road standards of the Commission, with consideration given to conforming roads to the natural landscape and to minimizing the creation of edges between developed areas and open space. Roads shall be located in such a way that avoids or at least minimizes adverse impacts on those areas delineated in Step One. Where practicable for the proposed development site, entrances onto existing roads shall be located to line up directly across from existing entrances on the roadway, allowing for safe cross movement of traffic at the intersection. Proposed trails shall be identified where access to common open space or recreational resources on or off the development is appropriate.
 - (d) **Step Four. Draw Lot Lines.** For subdivisions with individual lots, proposed lot lines shall be identified. The placement of the lot lines shall consider those conservation areas identified in Step One, design decisions made in Steps Two and Three, and the Commission's dimensional and vegetation clearing standards, as well as conform to the cultural and natural features of the landscape to the greatest extent possible. The delineation of lots also should consider the opportunity for future owners to reasonably expand the structures on the lot, and privacy provided for individual lot owners.
- (3) **Future Development.** When a subdivision will not utilize the entire parcel and there are potential plans for future subdivision or development of the parcel, the sketch plan also shall include a conceptual, long-range development plan showing the potential utilization of the balance of the parcel not being subdivided. The conceptual long-range development plan is intended to show that the current subdivision proposal will not compromise the long-term development of the parcel, future access to recreational resources, or important conservation values. This plan must show the relationship of the proposed subdivision area to the balance of the parcel and to adjacent land, as well as, in general terms, the potential road network and other infrastructure, development areas, and common open space areas for the long-range development plan.
- (4) **Common Open Space.**
- (a) The area to be designated as common open space or otherwise preserved as part of the development shall include all identified priority conservation areas. Supplemental conservation areas may also be included in common open space or conserved as needed to ensure the Commission's subdivision objectives and the applicant's design goals for the subdivision are met.
 - (b) Sufficient supplemental conservation areas shall be included in the common open space to meet at least the minimum area percentage requirement for common open space.
 - (c) **Common Open Space Percentage.** Unless site conditions indicate less common open space will meet the Commission's local scale subdivision design objectives in Section 10.25,Q,4,d,(1), the common open space percentage for FlexDesign subdivisions shall be at least 50 percent of the net developable land

- area, and 50 percent of the net developable shorefront for shoreland developments.
- (d) Unless another configuration better achieves the Commission's local scale subdivision design objectives, any common open space proposed for the subdivision shall be preserved in large contiguous blocks that connect with off-site, undeveloped land to form a continuous integrated open space system.
 - (e) The Commission may allow subsurface wastewater disposal systems in common open space, provided there is no other practicable alternative, legal provisions are made for maintenance, access, and replacement; and the systems are not located in areas designated for wildlife passage or habitat protection.
 - (f) Common open space shall be labeled as such on the subdivision plat, and preserved and maintained in accordance with Section 10.25,S.
 - (g) Subdivision Redistricting Considerations. Subdivisions are allowed only in appropriate subdistricts, as designated in Sub-Chapter II. However, the Commission may approve subdivisions that include land area designated as common open space within subdistricts where subdivision is otherwise prohibited, provided the designated land area meets the requirements of Section 10.25,S.
- (5) Sketch Plan Review Meeting. Sketch plan submissions for FlexDesign subdivisions shall be consistent with the objectives in Section 10.25,Q,4,d,(1) above; shall follow the approach set out in Section 10.25,Q,4,d,(2); and shall include the submission of a site context map, site inventory and analysis map, conceptual sketch plan, alternative design sketch, and project narrative discussing the applicant's design goals for the subdivision.

5. Procedural Requirements.

a. Sketch Plan Review Meeting for All Subdivisions.

- (1) Prior to submitting a permit application for any subdivision, the applicant shall request and attend a sketch plan review meeting.
- (2) Two sketch plans, with no engineering details, showing possible subdivision designs for the property using two different layout options shall be provided in advance of the meeting. Data provided on the sketch plan may be based on existing information available from State natural resource agencies and landowner knowledge. Site-specific survey work such as on-site wetland delineations is not expected and need not be a part of the sketch plan review.
- (3) The permit application for the subdivision shall be submitted within 12 months after the sketch plan review meeting. If the application is not submitted within 12 months, the Commission may require a new sketch plan review.
- (4) Applicants may present a subdivision in phases, provided that the first phase contains at least 25 percent of the total number of lots as shown on the sketch plan.

For phased proposals, the request for sketch plan review also must include a conceptual long-range development plan showing the potential utilization of the balance of the parcel. The conceptual long-range development plan is intended to

show that the current subdivision proposal will not compromise the long-term development of the parcel or important conservation values. This plan must show the relationship of the proposed subdivision area to the balance of the parcel and to adjacent land, as well as, in general terms, the potential road network and other infrastructure, development areas, and common open space areas for the long-range development plan.

[The language in the paragraph above has been added to this section consistent with the future development provisions in the FlexDesign layout.]

b. Subdivision Filing with Registry of Deeds.

- (1) Filing requirements. Following the approval of any subdivision by the Commission, the applicant shall file the subdivision plat signed by the Commission's Director with the County Registry of Deeds where the real estate is located.
- (2) A registrar of deeds shall not record a copy of conditions or any plat or plan purporting to subdivide real estate located within the unorganized and deorganized lands of the State, unless the Commission's approval is evidenced thereon. 12 M.R.S. §685-B(6)

c. Conveyance of Lots or Dwelling Units.

- (1) Certificates of Compliance. The conveyance of lots or dwelling units in any subdivision approved by the Commission may not proceed until a certificate of compliance has been issued. A certificate of compliance requires that:
 - (a) Proposed deeds and plats be reviewed and approved by the Commission to ensure that relevant permit conditions have been fulfilled. 12 M.R.S. §685-B(8)
 - (b) Signed plats have been filed with the appropriate county Registry of Deeds.
 - (c) Project construction has been completed, including but not limited to all common infrastructure and improvements, such that all subdivision lots or dwelling units can be accessed and occupied, and infrastructure and improvements can be used for their intended purpose without concern for the general health, safety, and welfare of the occupant or user, and the general public. Common infrastructure and improvements include elements of the subdivision such as common access ways and trail systems, waterfront amenities and docking facilities, and community centers, as applicable, located anywhere within the subdivision.
 - (d) All permit conditions of approval have been fulfilled, except those requiring ongoing or long-term compliance activity such as annual water quality monitoring or maintenance of structural erosion control best management practices.
- (2) Partial Certificates of Compliance. The Commission may issue a partial certificate of compliance for a portion of a subdivision development if that portion of the project can stand on its own and all infrastructure systems will be able to function properly without the benefits of the unbuilt portions of the systems, when Section 10.25,Q,5,c,(a) and (b) have been met, and:
 - (a) Project construction is complete for the standalone portion of the project, including but not limited to all common infrastructure and improvements needed to support lots or dwelling units or proposed for use by lot or unit owners in that portion of the project, such that all lots or dwelling units in that portion of the project can be accessed and occupied, and infrastructure and improvements can be used for their intended purpose without concern for general health, safety, and welfare of the occupant or user, and the general public. Common infrastructure and improvements include elements of the subdivision such as common access ways and trail systems, waterfront

amenities and docking facilities, and community centers, as applicable, located anywhere within the subdivision.

- (b) All open space proposed for wildlife habitat and wildlife passage has been preserved in accordance with Section 10.25,S.
- (c) All permit conditions of approval applicable to the standalone portion of the project have been fulfilled, except those requiring ongoing or long-term compliance activity such as annual water quality monitoring or maintenance of structural erosion control practices.

For information relative to permit expiration for partial certificates of compliance see Section 10.17,C,2.

[This language is added to clarify provisions for certificates of compliance particularly regarding what constitutes a complete project and when partial certificates of compliance are appropriate for subdivision development.]

- (3) Monumentation. All subdivision and lot boundary corners and angle points shall be marked by suitable, permanent monumentation in accordance with rules adopted by the Board of Licensure for Professional Land Surveyors, 02-369 CMR 90, Standards of Practice.
- (4) Maple Sugar Processing Subdivisions.
 - (a) The fee interest in lots in maple sugar processing subdivisions, shall not be offered for sale except as part of a sale of the entire parcel originally so subdivided, or with a deed restriction requiring that the lot be used only for commercial maple syrup production unless the Commission, or its legal successor in function, releases the restriction and records such release in the registry of deeds. The subdivision plat, and any deed for lots in subdivisions created by lease for the purpose of establishing and operating maple sugar processing operations, shall contain conditions setting out such restrictions.
 - (b) For maple sugar subdivisions created after February 22, 2013, deeds for each leased lot in maple sugar processing subdivisions must be created with a deed restriction requiring that the lot be used only for commercial maple syrup production unless the Commission, or its legal successor in function, releases the restriction and records such release in the registry of deeds. The deeds for each leased lot in maple sugar processing subdivisions shall be recorded with the registry of deeds at the time the subdivision is created.
- (5) Rural Business Lots. All subdivision lots permitted for rural businesses in the D-RB subdistrict shall include a condition requiring that the lot be used only for rural businesses unless the Commission, or its legal successor in function, releases the condition.

d. Recording of Large Lot Land Divisions.

- (1) When 3 to 10 lots each containing at least 40 acres are created within a five-year period and are located more than 1,320 feet from the normal high water mark of any great pond or river and more than 250 feet from the upland edge of a coastal or freshwater wetland as those terms are defined in 38 M.R.S. §436-A, a plan showing the division of the original parcel must be filed by the person creating the third lot

with the Commission within 60 days of the creation of that lot. The plan must state that the lots may be used only for forest management, agricultural management or conservation of natural resources. A “Guide to Certification of Plans for Large Lot Land Divisions” is available from the Commission that details submission requirements.

- (2) The Commission shall determine whether the plan qualifies under 12 M.R.S. §682-B, ordinarily within 15 days of receipt of the plan.
- (3) A copy of the certified plan must be filed, within 30 days of certification by the Commission, with the State Tax Assessor and the appropriate registry of deeds in the county in which the land is located. A register of deeds may not record any plan depicting these lots unless the Commission’s certification that the division qualifies under 12 M.R.S. §685-B is evidenced on the plan. 12 M.R.S. §685-B(6-A)
- (4) Any subsequent division of a lot created from the original parcel within 10 years of the recording of the plan in the registry of deeds is considered a subdivision. 12 M.R.S. §682-B

R. (RESERVED)

[REVISION NOTE: All references to Section 10.25,R throughout Chapter 10 will be changed to Section 10.25,Q,4,b. Specifically,

- Section 10.21,B,3,h,(2) and i;
- Section 10.21,D,3,h,(2) and i;
- Section 10.21,N,3,h,(2) and i;
- Section 10.21,O,3,h,(2) and i]

S. COMMON OPEN SPACE

The standards set forth below must be met for all clustered subdivisions and other land area designated as common open space.

1. **Preservation and Maintenance of Common Open Space.** Common Open space ~~may be~~ must be owned, preserved and maintained as required by this section, by any of the following mechanisms or combinations thereof, listed in order of preference, upon approval by the Commission:
 - a. Conveyance of common open space to a qualified holder, as defined under Section 10.25,S,2.
 - b. Dedication of development rights of common open space to a qualified holder, as defined under Section 10.25,S,2 with ownership and maintenance remaining with the property owner or a ~~lot-home~~ owners association.
 - c. Common ownership of open space by a ~~lot-home~~ owners association which prevents future structural development and subsequent subdivision of the common open space, and assumes full responsibility for its maintenance.
 - d. Ownership by a single landowner, provided that deed covenants are recorded that are sufficient to ensure the purposes of Section 10.25,S.

[This was a recommendation from the facilitated stakeholder meetings in the subdivision rule review process.]

- e. ~~d.~~ Any other mechanism that fully provides for the permanent protection or conservation of the common open space and that is acceptable to the Commission.
2. **Qualified Holders.** The following ~~entities~~ entities are qualified to own, preserve, and maintain common open space:
 - a. “A governmental body empowered to hold an interest in real property under the laws of this State or the United States; or
 - b. A nonprofit corporation or charitable trust, the purposes or powers of which include retaining or protecting the natural, scenic, or open space values of real property; assuring the availability of real property for agricultural, forest, recreational, or open space use; protecting natural resources; or maintaining or enhancing air or water quality or preserving the historical, architectural, archaeological, or cultural aspects of real property.” 33 M.R.S.A. §476, ~~sub-§(2)~~
3. **Uses of Common Open Space.** Common Open space may be usable for low-intensity non-commercial recreation, ~~or~~ for purposes intended to conserve land, ~~and-or to~~ preserve important natural or cultural features of the site. Uses within the common open space may be limited or controlled by the Commission at the time of approval, as necessary, to protect natural resources and adjacent land uses. Specifically, common open space lots are subject to subdivision and other permit conditions prohibiting residential, commercial, and industrial structures and uses; and ~~or~~ other structures and uses not specifically authorized by the subdivision permit.
4. **Homeowners Association By-laws.** If any or all of the common open space is to be reserved for common ownership by the residents of the subdivision, documents necessary for establishing the association shall be drafted and implemented. The documents shall provide for mandatory lot

owner or lessee membership, lot owner or lessee rights and privileges, association responsibilities and authority, operating procedures, proper capitalization to cover any initial operating costs, and the subdivision developer's responsibilities, if any; the bylaws of the proposed lot owners association shall specify responsibilities and methods for maintaining the open space and shall prohibit all residential, commercial, and industrial structures and uses within the designated open space; and prohibit ~~or~~ other structures and uses that space that have not specifically been authorized by the subdivision permit.

5. **Separate Lot of Record.** Common oOpen space shall be dedicated as a separate lot of record with no further subdivision or conversion of use of that lot allowed. Such a lot shall be clearly shown and labeled on the subdivision plat with a notation thereof to indicate that no further subdivision or conversion of use is allowed, and that the common open space land is permanently reserved for open space purposes. The notation must further describe the allowable use or uses; ownership; management; method of preservation, including the book and page of any conservation easements or deed restrictions required to be recorded to implement the reservations or restrictions; and the rights, if any, of the owners in the subdivision to such land or portions of that land.

[The revisions in the paragraph above add language to this section consistent with the conceptual standard for maintenance of common infrastructure, and open space.]

10.26 DIMENSIONAL REQUIREMENTS

...

D. MINIMUM SETBACKS

...

- 6. Farm Stands and Recreation Supply Businesses without Structures.** All components of farm stands and all components of recreation supply businesses without structures, including all activity, storage, and parking areas associated with such stands and businesses, shall be set back at least 30 feet from the traveled portion of all roadways, provided such will not result in unsafe conditions. Farm stands and recreation supply businesses without structures must meet setbacks for commercial facilities as specified in Sections 10.26,D,2,a **through** b, and 10.26,D,2,f. A farm stand or recreation supply business without structures located on a coastal island shall meet setbacks from roads specified in Section 10.26,D,2,d. Pursuant to Section 10.27,B, all vegetation clearing standards apply to development of a farm stand or recreation supply business without structures.

...

G. EXCEPTIONS TO DIMENSIONAL REQUIREMENTS

- 1.** The Commission may reduce dimensional requirements for individual buildings in a clustered [subdivision](#) development, in accordance with Section ~~10.25,R10.25,Q,4,b~~.

...

10.27 ACTIVITY-SPECIFIC STANDARDS

The documents referenced within this section may be obtained from the Commission's office in Augusta, or any of its regional offices.

A. ~~AGRICULTURAL MANAGEMENT~~ ACTIVITIES

The standards of Section 10.27.A apply to agricultural activities. Agricultural ~~management~~ activities not in conformance with the standards of Section 10.27,A may be allowed upon issuance of a permit from the Commission provided that such types of activities are allowed in the subdistrict involved. An applicant for such permit shall show by a preponderance of the evidence that the proposed activity, which is not in conformance with the standards of Section 10.27,A, shall be conducted in a manner which produces no undue adverse impact upon the resources and uses in the area.

1. Agricultural Management Activities.

The following requirements shall apply to agricultural management activities in all development and protection subdistricts:

- 1a. All agricultural management practices shall be accomplished in accordance with best management practices, described in the publication, "Manual of Best Management Practices for Maine Agriculture", Maine Department of Agriculture, Conservation and Forestry, Bureau of Agriculture, Food and Rural Resources. (January 2007).
- 2b. Exposed mineral soil created by tilling of soil shall occur no closer to the normal high water mark of any body of standing water, flowing water, or coastal wetland than is indicated by the following table, provided, however, no portion of such exposed mineral soil on a back face shall be closer than 50 feet:

Average Slope of Land Between Exposed Mineral Soil and Normal High Water Mark (Percent)	Width of Strip Between Exposed Mineral Soil and Normal High Water Mark (Feet along Surface of the Ground)
0	50
10	90
20	130
30	170
40	210
50	250
60	290
70	330

Table 10.27,A-1. Water body setback requirements for exposed mineral soil created by tilling of soil.

2. Small-scale Agritourism.

The following requirements shall apply to all small-scale agritourism in all subdistricts where such activities are allowed:

- a. Parking.** Adequate parking shall be provided for the vehicles of employees and visitors. On-street or off-street parking areas must be designed to ensure safe conditions and must be sized to accommodate the number of employees and visitors expected during peak times.
- b. Lighting.** All exterior lighting fixtures must be full cut-off and designed, located, installed and directed in such a manner as to illuminate only the target area, to the extent practicable. No activity shall produce a strong, dazzling light or reflection of that light beyond lot lines onto neighboring properties, or onto any roadway so as to impair the vision of the driver of any vehicles upon that roadway or to create nuisance conditions. Additionally, all non-essential lighting shall be turned off after business hours, leaving the minimum necessary for site security.
- c. Noise.** Facilities must meet standards for noise included in Section 10.25,F,1.
- d. Sanitation.** Adequate restroom and handwashing facilities, which may include temporary portable toilets, must be provided for employees and visitors.

...

J. SIGNS

...

- o. On-Premise Signs.** Owners or occupants of real property may erect and maintain on-premise signs, except roof signs, advertising the sale or lease thereof or activities being conducted thereon. Such signs shall be subject to the following requirements and the regulations set forth in Section 10.27,J,2 below:

- (1) On-premise signs shall not exceed in size the area limitations set forth below:

Subdistricts	Maximum Size for Each Individual Sign (square feet)	Maximum Aggregate Area of all Signs for Facility Being Advertised (square feet)
D-CI, D-ES, D-GN, D-GN2, D-GN3, D-MT, D-PD, D-PR, D-RB, <u>D-RD</u> , D-RF, M-GN, M-HP	32	64
<u>D-LD</u> , D-RS, D-RS2, D-RS3, M-NC, and All Protection Subdistricts	8	16

Table 10.27,J-1. Size limitations for on-premise signs.

N. HOME OCCUPATIONS-BASED BUSINESSES

Except as hereinafter provided, home occupations-based businesses not in conformance with the standards of Section 10.27,N are prohibited.

1. Minor Home Occupation-Based Businesses

- a. **Purpose.** The intent of Section 10.27,N,1 is to allow minor home occupations-based businesses under the conditions stated herein in certain subdistricts without requiring a permit.
- b. **Size.** A home child day care provider or home adult day services program without outside staff and caring for no more than six children or adults is considered a minor home occupation-based business, but is not subject to the limitations on percent and floor area of the structure utilized.
- c. **Employees.** No employees outside the resident family may regularly work on the premises.
- d. **Exterior effects.** There must be no exterior display, no exterior storage of materials, and no other exterior indications of a minor home occupation-based business with the following exceptions:
 - (1) Outdoor activity areas are allowed for home child day care providers and home adult day services programs;
 - (2) Signs are allowed in conformance with Section 10.27,J except in D-RS, D-RS2 and D-RS3 subdistricts where one unlighted sign no greater than two square feet in area is allowed for the home occupation-based business; and
 - (3) Vehicles and equipment as allowed below in Section 10.27,N,1,h.
- e. **Nuisances.** A minor home occupation-based business must not generate any noise, vibration, smoke, fumes, dust, odors, heat, light, glare, electrical interference, or other effects such that levels common to a residential area are exceeded beyond the property lines or beyond the walls of the dwelling unit, if the unit is part of a multifamily dwelling.
- f. **Traffic.** A minor home occupation-based business must not attract clients, customers, or students to the premises for sales or services on a regular basis, except for home child day care providers or home adult day services programs. The level of vehicular traffic generated by a home occupation-based business must not significantly exceed that generated by a residence.
- g. **Parking.** A minor home occupation-based business must not result in more than occasional, short-term parking, except for home child day care or adult day services providers.
- h. **Vehicles and equipment.** A minor home occupation-based business must not involve the regular on-premise use or storage of more than one tractor truck and semitrailer and one piece of heavy equipment such as construction equipment.
- i. **Hazardous wastes.** A minor home occupation-based business must not generate hazardous wastes in amounts that exceed normal residential household quantities.

2. **Major Home-Based Business Occupations.**

- a. **Purpose.** The intent of Section 10.27,N,2 is to allow major home-~~occupations-based~~ businesses in certain subdistricts through the issuance of permits.
- b. **Size.** A home child day care provider or home adult day services program with outside staff and caring for up to 12 children or adults is considered a major home-~~occupation-based~~ business, but is not subject to the limitation on the percent and floor area of the structure utilized. Adaptive rehabilitation and reuse of existing accessory structures for major home-~~occupations-based~~ businesses may exceed the size limitations of such home-~~occupations-based~~ businesses if the following conditions are met:
 - (1) The structure is a legally existing accessory structure constructed before October 31, 2000, and
 - (2) The structure will not be expanded in size.
- c. **Employees.** No more than two people outside the resident family may work simultaneously on the premises in connection with all home-~~occupations-based~~ businesses on the premises.
- d. **Exterior effects.** There must be no exterior display, no exterior storage of materials, and no other exterior indications of a major home-~~occupation-based~~ business with the following exceptions:
 - (1) Outdoor activity areas are allowed for home child day care providers and home adult day services programs,
 - (2) Signs are allowed in conformance with Section 10.27,J except in D-RS, D-RS2 and D-RS3 subdistricts where one unlighted sign no greater than four square feet in area is allowed for the home-~~based business-occupation~~, and
 - (3) Vehicles and equipment as defined below in Section 10.27,N,1,h.
- e. **Nuisances.** A major home-~~occupation-based~~ business must not generate any noise, vibration, smoke, fumes, dust, odors, heat, light, glare, electrical interference, or other effects such that levels common to a residential area are exceeded beyond the property lines or beyond the walls of the dwelling unit, if the unit is part of a multifamily dwelling.
- f. **Traffic.** The level of vehicular traffic generated by a home-~~occupation-based~~ business must not significantly exceed that generated by a residence, except for home child day care providers or home adult day services programs.
- g. **Parking.** Adequate off-street parking must be provided for the vehicles of employees and other visitors of the home-~~occupation-based~~ business during peak operating hours, not to exceed six spaces, and must be effectively screened from the view of adjacent properties, access roads, and water bodies other than waters draining less than 50 square miles.
- h. **Vehicles and equipment.** A major home-~~occupation-based~~ business must not involve the regular on-premise use or storage of more than an aggregate of four tractor trucks and semitrailers and/or pieces of heavy equipment such as construction equipment.
- i. **Hazardous wastes.** A major home-~~occupation-based~~ business must not generate or store quantities of hazardous wastes that exceed the amounts set for “Small Quantity Generators” by the Maine Department of Environmental Protection (DEP) and must meet the applicable requirements of DEP rules, Chapter 850, Section 4.

...

Q. RECREATIONAL LODGING FACILITIES

...

8. Conversion of Use.

...

- c. The lots and structures must comply with all applicable rules, including, but not limited to, subdivision standards in Section 10.25,Q ~~and Section 10.25,R~~, and the dimensional requirements of Section 10.26, except as provided in Section 10.27,Q,8,d.

...

S. COMMERCIAL BUSINESS

The standards in Section 10.27,S apply to commercial businesses. Natural Resource Processing facilities and Recreation Supply Businesses not in conformance with the standards of Section 10.27,S may be allowed upon issuance of a permit from the Commission, provided that such types of activities are allowed in the subdistrict involved. An applicant for such a permit shall show by a preponderance of the evidence that the business activity, which is not in conformance with the Standards of Section 10.27,S shall be conducted in a manner which produces no undue adverse impact upon the resources and uses in the area.

1. Wildlife Passage for All Commercial Development.

Except as provided in Section 10.27,S,1,b,(1) through (3), the standard for wildlife passage must be met for all commercial businesses located within a primary location and in a new development subdistrict established after insert effective date of the rule revisions.

- a. The design for the business must include suitable open space for wildlife passage, around or through the development, of at least 500 feet in width. The wildlife passage shall be located, in order of preference, along the side of flowing waters or wetlands, in a way that links high value wildlife habitats on or off the property, along the property line of any abutting conserved land, or adjacent to one of the boundary lines of the parcel, to the extent practicable.
- b. Notwithstanding Section 10.27,S,1,a, the Commission may allow a design without onsite open space for wildlife passage:
 - (1) In cases where a proposed development constitutes “in-fill” development, on a parcel surrounded by existing development, for which any designated open space would be an isolated pocket providing little long-term value.
 - (2) In cases where the commercial business has joined with a group of landowners to jointly establish a common wildlife corridor at least 500 feet in width, within **one-quarter** mile of the project site, that will be protected in accordance with the provisions of Section 10.25,S.
 - (3) In cases where a site-specific resource assessment shows that the Commission’s wildlife passage goal will otherwise be met on or within **one-quarter** mile of the project site.
- c. Permit applications for commercial businesses required to meet this standard shall include a plan identifying the wildlife passage and demonstrating that the open space for wildlife passage will not be materially altered in the future by any uses allowed with or without a permit.

2. Standards for All Natural Resource Processing Facilities

- a. **Resource Dependency.** A natural resource processing facility must be located on the same parcel of land as the raw materials that will be used for processing activities, **or located on a parcel directly abutting the parcel of land sourcing the raw materials.**

b. Compatibility.

- (1) The processing facility must be located at least **one-half** mile from compact patterns of residential development which include four or more dwellings within a 500-foot radius.
- (2) The facility must be located at least **one-half** mile from the normal high-water mark of any major waterbodies.
- (3) Wooded buffer strips must be maintained in conformance with the standards of Section 10.27,B.
- (4) In addition, 100-foot wide wooded buffer strips must be maintained between the processing facility and any property line shared with residential uses, other non-commercial uses, or commercial facilities providing overnight accommodations.

c. Decommissioning.

- (1) Upon completion of processing activities, the site must be restored to pre-development conditions to the extent practicable.
- (2) All disturbed soil areas must be stabilized in conformance with Chapter 10, Appendix B, Guidelines for Vegetative Stabilization.

3. Natural Resource Processing without Structural Development.

a. Scale.

- (1) Equipment used for the processing activity must be mobile, and must not include structures as defined in Section 10.02. The facility and all appurtenant components must not be on site for more than 10 months of the year. Mobile means that a vehicle or trailer must be ready for highway use, and must be fully licensed unless intended to travel **exclusively** on private roads.
- (2) The site used for processing activities must be less than **three** acres in size.

b. Noise. All processing equipment must be **separated by a forested buffer strip at least 950 feet in width** from all property lines shared with abutting residential uses, other non-commercial uses, or commercial facilities providing overnight accommodations, unless there is demonstrable data available on the noise generated by the equipment and the **forested buffer widths** of Table 10.27,S-1 are met:

<u>dB(A) at the source</u>	<u>Forested buffer width (feet)</u>
<u>0-65</u>	<u>250</u>
<u>66-75</u>	<u>400</u>
<u>76-85</u>	<u>500</u>
<u>86-95</u>	<u>650</u>
<u>>95</u>	<u>950</u>

Table 10.27,S-1. **Sound pressure level limits.**

c. Erosion and Sedimentation Control.

- (1) Soil disturbance must be kept to a practicable minimum, and operations that result in soil disturbance must be avoided or minimized in sensitive areas such as slopes exceeding 15 percent and areas that drain directly into water bodies or wetlands.
- (2) Prior to any soil disturbance, erosion control measures must be implemented to ensure sediment is removed from runoff water before it leaves the site, or enters drainage systems, water bodies, or wetlands.

d. Hazardous Materials.

- (1) The facility must use operating procedures or equipment to minimize dust generation and accumulation.
- (2) Where oil or hazardous materials will be used onsite, facility operators must take all reasonable measures to prevent, control, and clean-up any spills of oil or hazardous materials, and an adequately stocked oil and hazardous materials spill response kit must be kept onsite while the facility is operating.

e. Solid Waste. All solid waste generated by the processing facility, including any wood wastes such as bark or sawdust, must be stored and disposed of in accordance with the Maine Solid Waste Management Rules. 06-096 CMR 400.

f. Traffic.

- (1) Any traffic generated by the processing facility must be consistent with the existing pattern on the network of roads used by the facility when considering the type of traffic (e.g., trucks or passenger vehicles), and hours of operation.
- (2) If processed goods will be transported by trucks exceeding US truck classification, Class 4 commercial truck, the off-site network of roads used to transport those goods must at least meet the Class 3 roadway standards of Sections 10.25,D,4,e and f.

4. Natural Resource Processing with Structural Development.**a. Scale.**

- (1) Permanent structures associated with processing activities must be limited to 4,000 square feet of gross floor area in M-GN subdistricts and limited to 20,000 square feet of gross floor area in D-RD subdistricts; and
- (2) The site used for processing activities must be less than three acres in size in M-GN subdistricts, and less than 10 acres in size in D-RD subdistricts.

5. Standards for All Recreation Supply Facilities.

a. Resource Dependency. Facilities must supply equipment or services primarily for use by people pursuing recreational activities on recreational resources such as trails that support motorized vehicle, non-motorized vehicle, or equestrian use, or on bodies of standing water greater than ten acres in size.

b. Proximity to Resource. Facilities must be located within one-quarter mile of trailheads serving permanent trails that support motorized vehicle, nonmotorized vehicle, or equestrian use; or within one-quarter mile of publicly accessible points of access to a body of standing water greater than ten acres in size, and not within one-quarter mile of Management Class 1, or Management Class 2 lakes, and not within one-half mile of Management Class 6 lakes.

c. Sanitation.

(1) All recreation supply businesses shall provide adequate trash and recycling receptacles for use by customers, and shall provide for regular collection and disposal of site-generated solid wastes at a State-approved landfill or transfer station.

(2) Recreation supply businesses that sell food shall meet all requirements of the Maine Food Code, and shall be licensed by the Maine Department of Health and Human Services or the Maine Department of Agriculture, Conservation, and Forestry.

6. Standards for Recreation Supply Businesses without Structures. In addition to the standards listed in Section 10.27,S,5, recreation supply businesses that do not have structures must comply with the following:

a. Compatibility with Recreational Lodging Facilities. Temporary or mobile recreation supply businesses that supply food or gear to recreational users shall not locate within one-half mile of a recreational lodging facility, as defined in Section 10.02, which already serves food or already rents gear to the public, except where the owner of the recreational lodging facility has given permission in writing.

b. Scale.

(1) A business must be mobile, and must not include structures as defined in Section 10.02. The facility and all appurtenant components must not be in the same location for more than 120 days in a calendar year. Mobile means that a vehicle or trailer must be ready for highway use, and must be fully licensed unless intended to travel exclusively on private roads.

(2) Mobile or temporary recreation supply businesses must be self-contained, and all temporary fixtures or signs related to the facility shall be stored inside the facility when closed.

(3) The site must not have more than one acre of disturbed area as a result of the development.

c. Dimensional Requirements. Pursuant to Section 10.26, all components of a recreation supply business shall meet dimensional requirements for parking areas, structures, and lots applicable to commercial activities. For the purposes of this section, structures include temporary toilets.

d. Noise and Lighting.

- (1) Noise. Facilities must meet the standards for noise included in Section 10.25,F,1.
- (2) Lighting. All exterior lighting must be full cut-off and designed, located, installed and directed in such a manner as to illuminate only the target area, to the extent practicable. No activity shall produce a strong, dazzling light or reflection of that light beyond lot lines onto neighboring properties, or onto any roadway so as to impair the vision of the driver of any vehicles upon that roadway or to create nuisance conditions. Additionally, all non-essential lighting shall be turned off after business hours, leaving the minimum necessary for site security.

e. Parking.

- (1) The business must provide for adequate parking to prevent nuisance or unsafe conditions. The design of on-street or off-street parking areas for use of customers and employees shall be sufficient for the proposed use, and shall not remove parking capacity needed for public use of trailheads or water access points, and shall otherwise meet the design requirements described in Section 10.25,D,3.

7. Recreation Supply Businesses with Structures. In addition to the standards listed in Section 10.27,S,5, recreation supply businesses that have structures must comply with the following:

- a. Scale.** Recreation Supply Businesses with structures as defined in Section 10.02 shall not have more than 2,500 square feet of gross floor area.
- b. Exterior storage.** Recreation supply businesses with structures shall have no more than 200 square feet of area used for exterior storage.